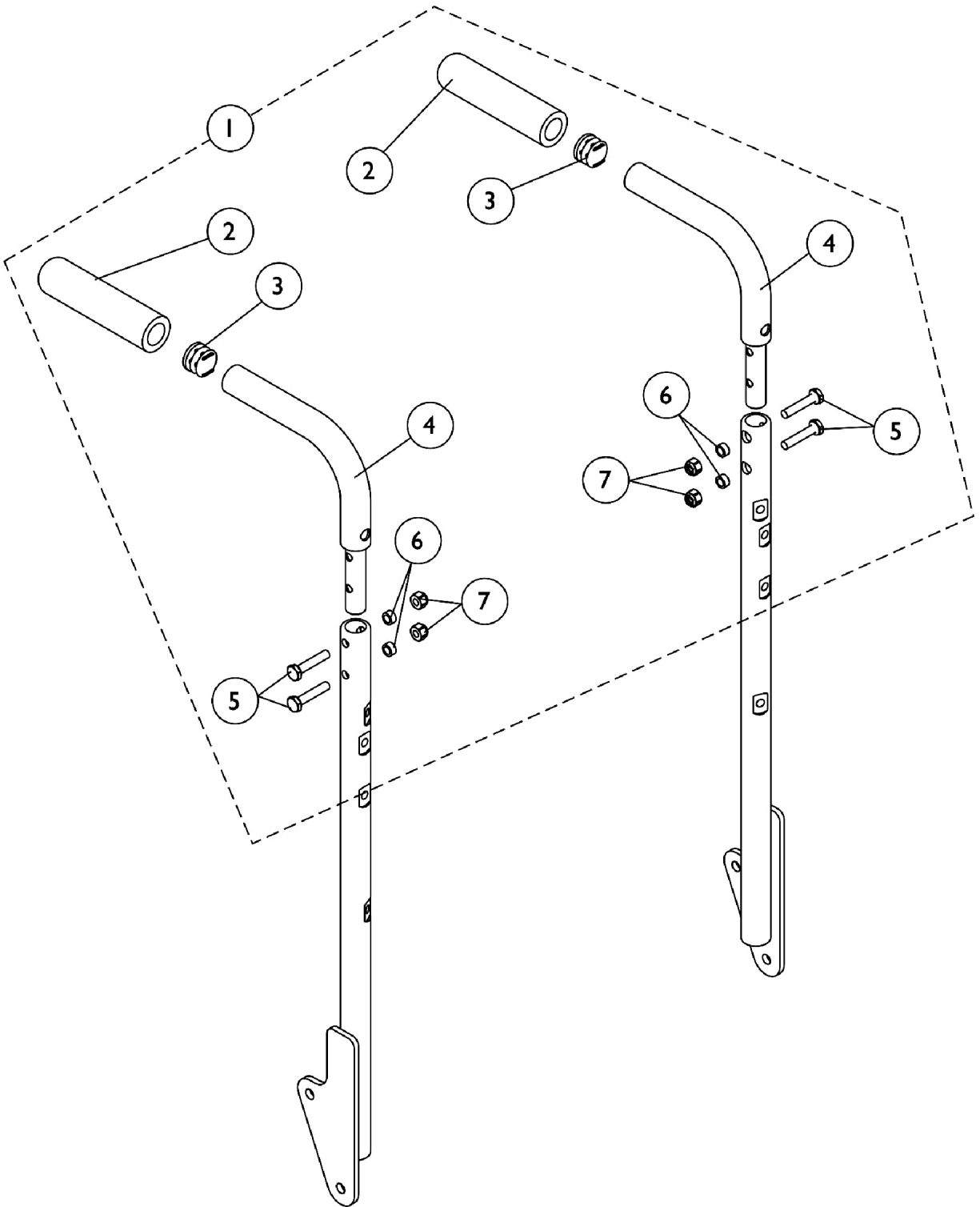


Back Cane Push Handle Attachments

Conventional Tilt Only Seating (CGT/CGTE)

NOTE: The Back Cane Push Handle Attachments will not attach to a Tilt and Recline Seating System with a Conventional Back



Back Cane Push Handle Attachments

Conventional Tilt Only Seating (CGT/CGTE)

NOTE: The Back Cane Push Handle Attachments will not attach to a Tilt and Recline Seating System with a Conventional Back

Item Number	Note	Part Number	Description	Quantity Per	
				Package	Assembly
1	A	1133259	Kit, Back Cane Push Handle Attachments (Pair)	1	1
2			Grip, Foam, Hand (4-1/2" L)	1	2
3			Plug Button, Black (7/8")	1	2
4			Attachment, Back Cane Push Handle	1	2
5			Screw, Hex Head (1/4-20 x 1-1/4")	1	4
6			NLA - Spacer (1/4 x 3/8 x 3/16")	1	4
7			Locknut (1/4-20)	1	4

NOTE: A - Includes items 2-7.