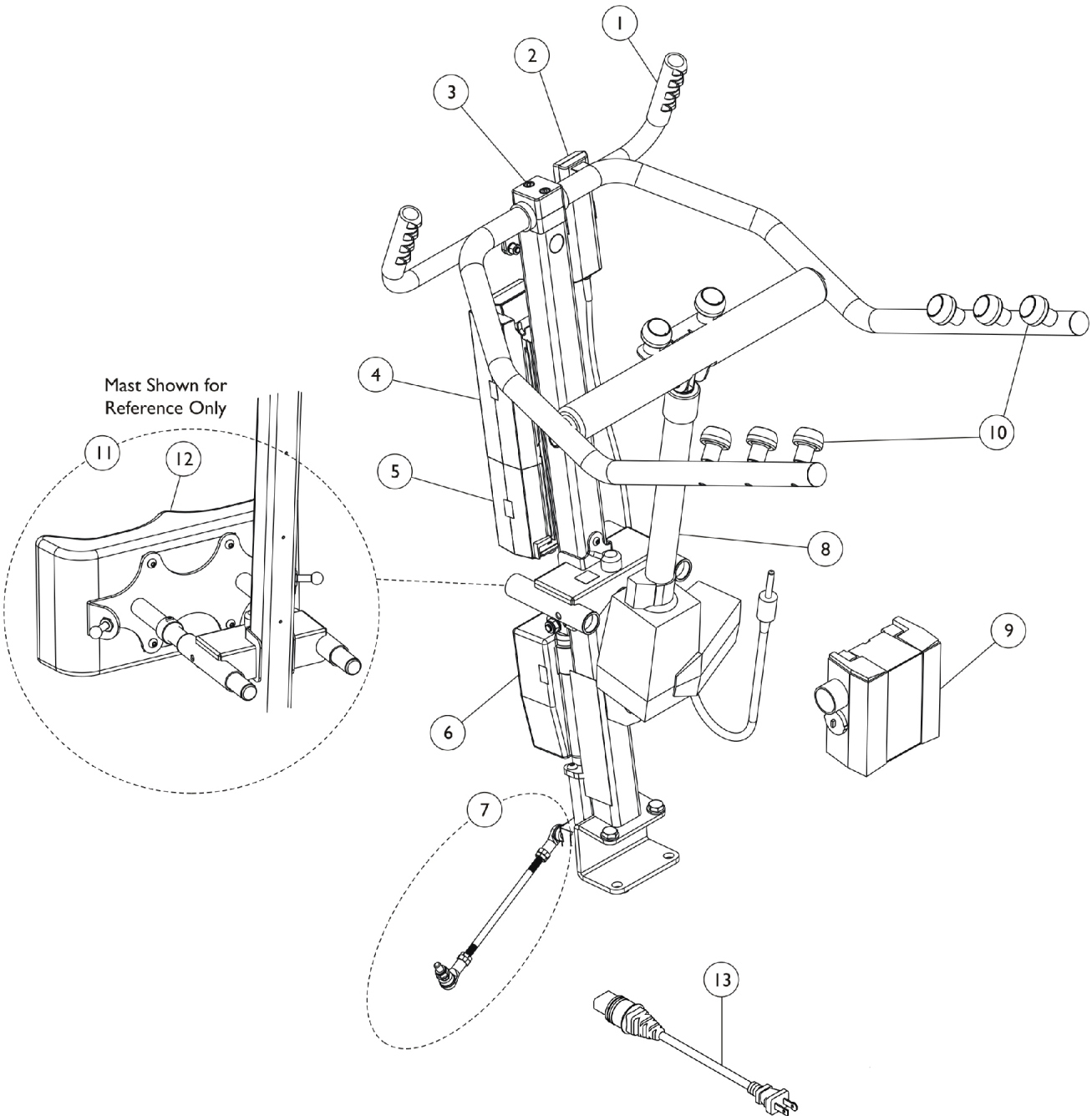


Mast Assembly

RPS440 Power Stand-Up Lift



Mast Assembly RPS440 Power Stand-Up Lift

Item Number	Note	Part Number	Description	Quantity Per	
				Package	Assembly
1		1143818-NLA	NLA - Kit, Hand Grip	1	1
2	E	1132051-NLA	NLA - Pendant, Four Channel w/ Hook	1	1
2		1177605	Pendant, Four Channel w/ Hook	1	1
3		1165873-NLA	NLA - Block, Bearing w/ Hardware	1	1
4		1078276	Battery Pack, Linak	1	1
5		1143817-NLA	NLA - Control Box	1	1
6		1143815-NLA	NLA - Actuator, Leg Spreader	1	1
7		1143819-NLA	NLA - Kit, Link Adjuster	1	1
8		1143816-NLA	NLA - Actuator, Espline 300 Stroke	1	1
9	F	1078274	Charger, Electric Only w/o Power Cord	1	1
10	A	1143811-NLA	NLA - Kit, Sling Knobs with Hardware	1	1
11	B,D	1144543-NLA	NLA - Kit, Knee Pad with Release Mechanism	1	1
12	C	1146393-NLA	NLA - Pad, Knee	1	1
13		1079133	Cord, Power, USA	1	1

NOTE: A - Includes (8) Washers, (8) Nyloc Nuts, (2) Bolts, (8) Caps and (8) Knobs.
 B - Includes Knee Pad Assembly and Release Mechanism.
 C - Includes Pad Only.
 D - A Leg Strap that can attach to the Knee Pad Assembly and Release Mechanism is a non-serviceable part.
 E - No Longer Available. See part #1177605 as a replacement.
 F - Power Cord not included with Charger.