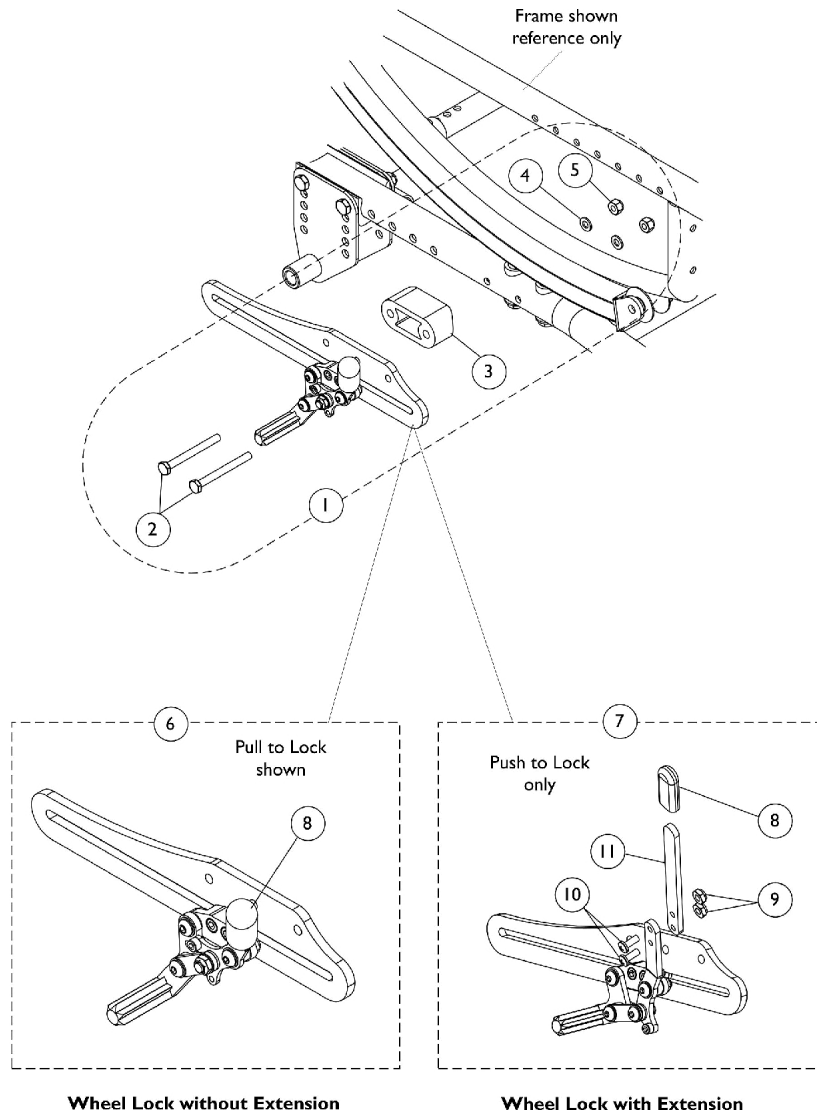


Wheel Locks and Attaching Hardware

After 5/21/06 (Push and Pull to Lock)



Wheel Locks and Attaching Hardware After 5/21/06 (Push and Pull to Lock)

Item Number	Note	Part Number	Description	Quantity Per	
				Package	Assembly
1	A	1140251-NLA	NLA - Kit, Wheel Lock Mounting Hardware	1	1
2			NLA - Screw, Hex Head (1/4-28 x 2-1/2")	1	4
3			NLA - Spacer, Bracket	1	2
4			Washer (1/4 x 1/2 x 1/16")	1	4
5			Locknut (1/4-28)	1	4
6	See Chart		#6 Wheel Lock Assembly without Extension Handle	1	1
7	See Chart		#7 Wheel Lock Assembly with Bolt-On Extension Handle (EXTLOCK)	1	1
8		1127688	Package, Plastic Tip, Black	10	1
9		1025731	Locknut (#10-32)	1	2
10		1026114	Screw, Phillips Pan Head (#10-32 x 1/2")	1	2
11		1127851	Extension, Wheel Lock	1	1

NOTE: A - Includes items 2-5. Contains enough hardware for pair of wheel locks.

Wheel Locks and Attaching Hardware

After 5/21/06 (Push and Pull to Lock)

#6 Wheel Lock Assembly without Extension Handle

Wheel Lock Type (Push/Pull)	Part Number
Push to Lock - Right	1140848-NLA
Push to Lock - Left	1140849-NLA
Pull to Lock - Right	1140846-NLA
Pull to Lock - Left	1140847-NLA

#7 Wheel Lock Assembly with Bolt-On Extension Handle (EXTLOCK)

Includes wheel lock plus items 8-11.

Wheel Lock Type (Push Only)	Part Number
Push to Lock - Right	1140850-NLA
Push to Lock - Left	1140851-NLA