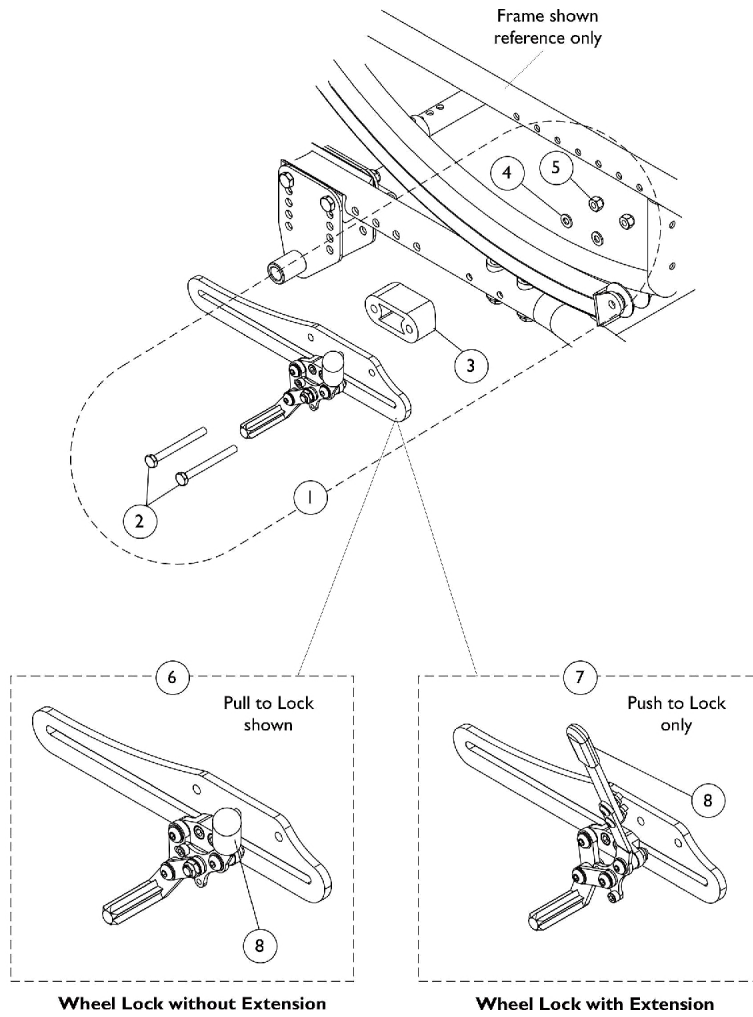


Wheel Locks and Attaching Hardware Before 5/22/06 (Push and Pull to Lock)



Wheel Locks and Attaching Hardware Before 5/22/06 (Push and Pull to Lock)

Item Number	Note	Part Number	Description	Quantity Per	
				Package	Assembly
1	A,B	1127842-NLA	NLA - Kit, Wheel Lock Mounting Hardware	1	1
2			NLA - Screw, Hex Head (1/4-28 x 2-1/2")	1	4
3			NLA - Spacer, Bracket	1	2
4			Washer (1/4 x 1/2 x 1/16")	1	4
5			Locknut (1/4-28)	1	4
1	A,C	1140251-NLA	NLA - Kit, Wheel Lock Mounting Hardware	1	1
2			NLA - Screw, Hex Head (1/4-28 x 2-3/4")	1	4
3			Spacer, Bracket	1	2
4			Washer (1/4 x 1/2 x 1/16")	1	4
5			Locknut (1/4-28)	1	4
6			See Chart	#6 Wheel Lock Assembly without Extension Handle	1
7	See Chart	#7 Wheel Lock Assembly with Bolt-On Extension Handle (EXTLOCK)	1	1	
8		1127688	Package, Plastic Tip, Black	10	1

NOTE: A - Includes items 2-5. Contains enough hardware for pair of wheel locks.
 B - Chairs with 12", 20", 22", and 24" rear wheels
 C - Chairs with 18" rear wheels

Wheel Locks and Attaching Hardware

Before 5/22/06 (Push and Pull to Lock)

#6 Wheel Lock Assembly without Extension Handle

Wheel Lock Type (Push/Pull)	12" Rear Wheels	18", 20", 22", & 24" Rear Wheels
Push to Lock - Right	1127834-NLA	1129506-NLA
Push to Lock - Left	1127835-NLA	1129507-NLA
Pull to Lock - Right	1127836-NLA	1131228-NLA
Pull to Lock - Left	1127837-NLA	1131229-NLA

#7 Wheel Lock Assembly with Bolt-On Extension Handle (EXTLOCK)

Wheel Lock Type (Push Only)	12" Rear Wheels	18", 20", 22", & 24" Rear Wheels
Push to Lock - Right	1128819-NLA	1131230-NLA
Push to Lock - Left	1128820-NLA	1131231-NLA