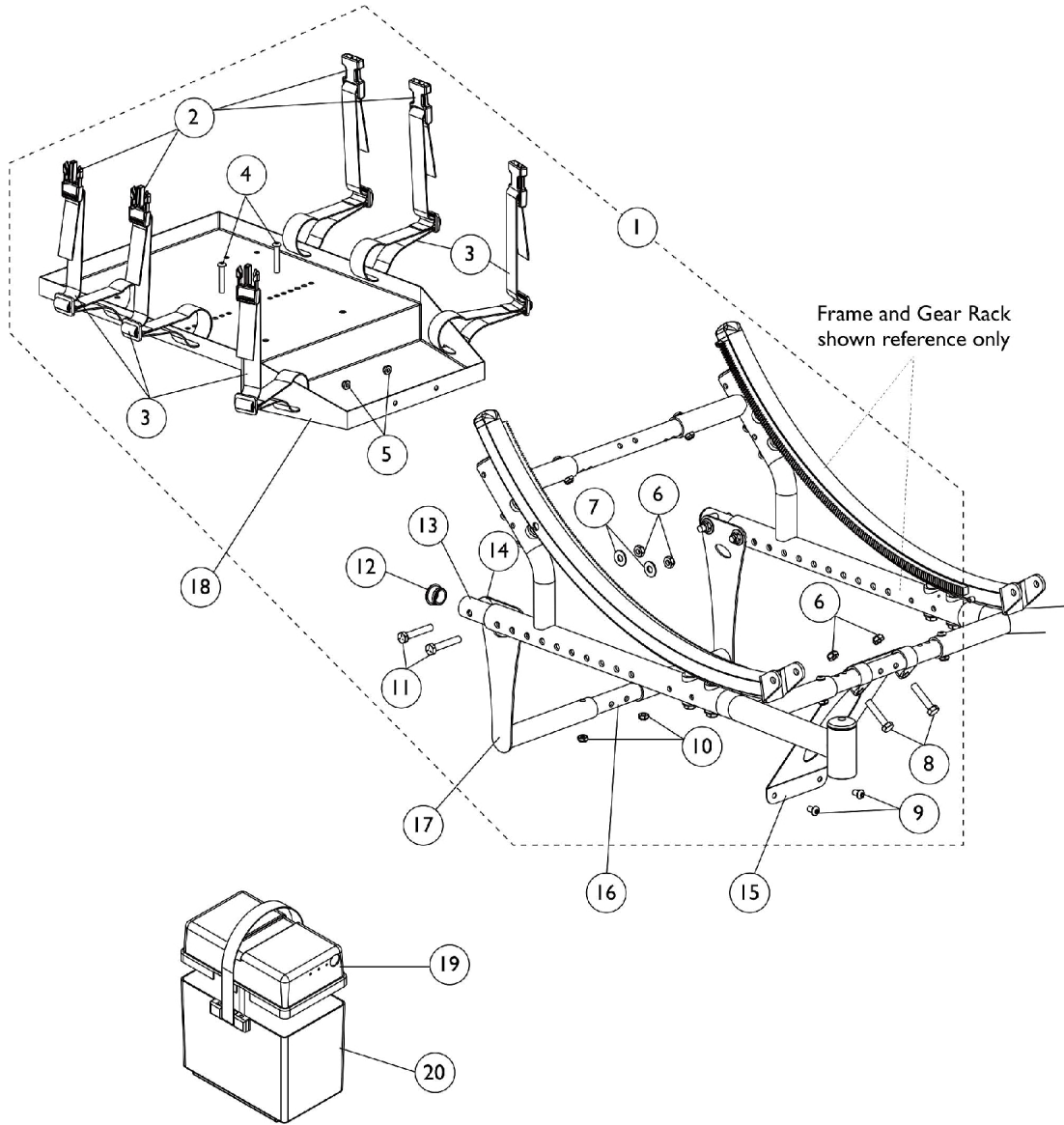


Ventilator Tray and Battery Box

Before 5/22/06



Ventilator Tray and Battery Box Before 5/22/06

Item Number	Note	Part Number	Description	Quantity Per	
				Package	Assembly
1	A	1127699-NLA	NLA - Kit, Ventilator Tray Hardware	1	1
2			NLA - Buckle, Slide Release	1	6
3			NLA - Strap with Slide Release Buckle (22" Long)	1	6
4			Screw, Socket Button Head (1/4-28 x 1-1/2")	1	2
5			Locknut (1/4-20)	1	2
6			Locknut (5/16-18)	1	6
7			Washer, Steel (5/16 x 3/4 x 1/16")	1	4
8			NLA - Screw, Hex Head (5/16-18 x 1-1/2")	1	2
9			Screw, Socket Button Head (1/4-20 x 3/8")	1	2
10			Locknut (1/4-28)	1	2
11			NLA - Screw, Hex Head (5/16-18 x 1-3/4")	1	4
12			Plug Button, Black (1")	1	2
13			NLA - Tube, Vent Tray Support, Black	1	2
14			Spacer, Coved (3/4 x 1 x 1/2")	1	2
15	C	1126343-NLA	NLA - Hanger, Ventilator Tray - Front	1	1
15	D	1132298-NLA	NLA - Hanger, Ventilator Tray - Front	1	1
16	B	See Chart	#16 Kit, Crossbraces with Hardware	5	1
17		1126344-NLA	NLA - Hanger, Ventilator Tray - Rear	1	2
18		1093385-NLA	NLA - Tray, Ventilator	1	1
19		1095747	Top, Battery Box	1	1
20		1057944	Battery Box Bottom with Strap, 22NF	1	1

NOTE: A - Includes items 2-14
B - Kit includes 5 ea. Crossbraces and all attaching hardware (Screws and Locknuts)
C - For chairs with 12-16" or 15-19" seat depth
D - For chairs with 18-22" seat depth

Ventilator Tray and Battery Box

Before 5/22/06

#16 Kit, Crossbraces with Hardware

Seat Width Range 16-20"	Seat Width Range 18-22"
1127700-NLA See Note(s) A	1127701-NLA See Note(s) A
NOTE: A - As of 8/9/07, the finish changed from black anodize to flat black.	