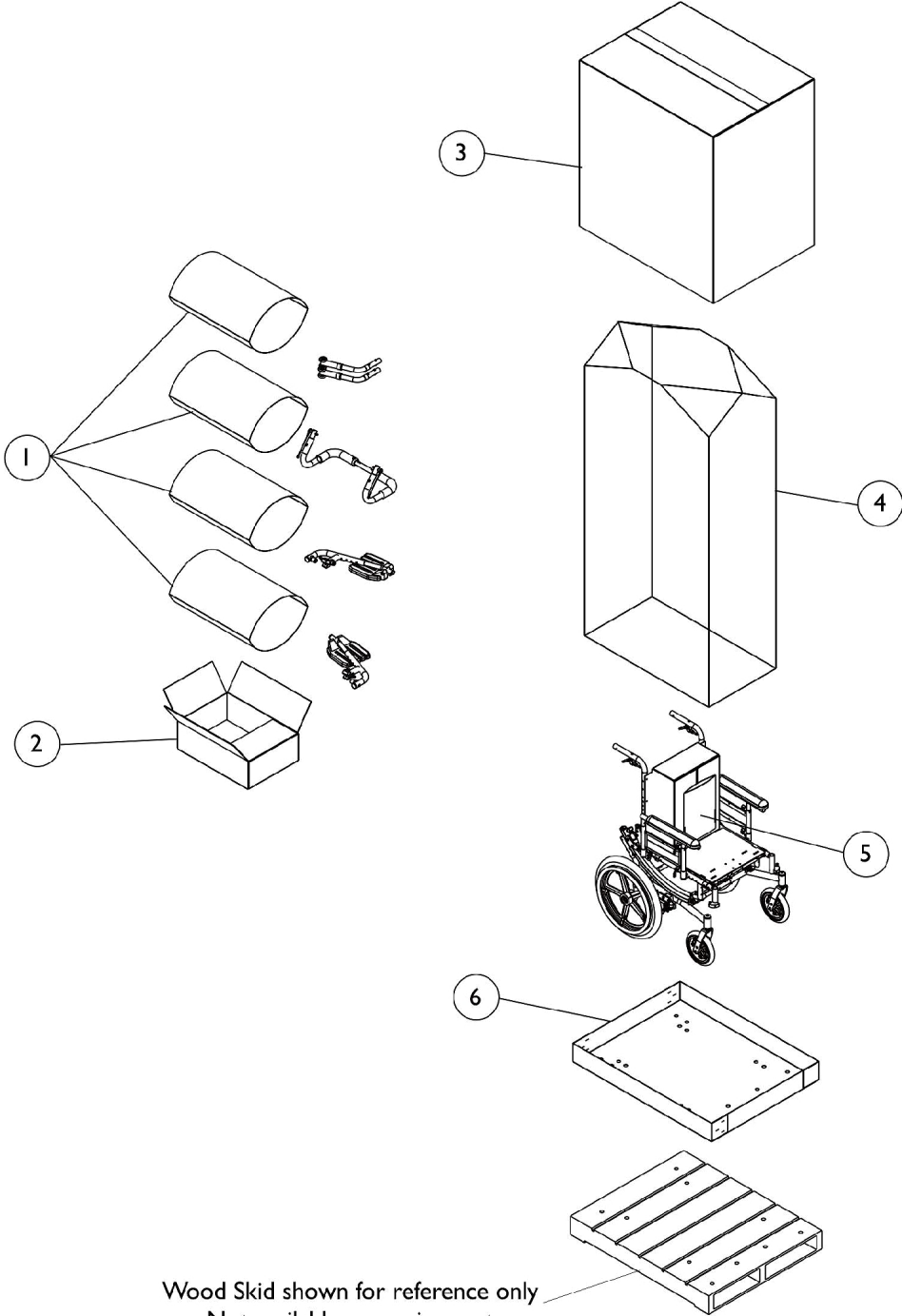


# Packaging, Literature, and Decals



## Packaging, Literature, and Decals

Item Number	Note	Part Number	Description	Quantity Per	
				Package	Assembly
1		1021866-NLA	NLA - Bag, Poly (26" L x 15" W)	1	4
2		40131X011-NLA	NLA - Carton, Front Riggings	1	1
3		1030364	Carton, Cover	1	1
4		1015592	Bag, Poly (72" L x 35" W x 19" D)	1	1
5	A	1129471-NLA	NLA - Kit, Literature - Solara/Spree GT	1	1
	H	1125027-NLA	NLA - Owner's Manual, Solara 2G	1	1
	B,H	1130215-NLA	NLA - Service Manual, Hubblock	1	1
	B,C	1118596-NLA	NLA - Kit, Instruction Cards with Attaching Hardware, Transport Ready Option	1	1
6		1030362	Carton, Tray	1	1
	B	1095497	Decal, Invacare Logo (1.6)	1	1
	B	1128856-NLA	NLA - Decal, Model - Solara	1	1
	B	1128857	Decal, Model - Spree GT	1	1
	B,D,F	1128858	Kit, Decals Solara/Spree GT	1	1
	B,E,G	1142081-NLA	NLA - Kit, Decals Solara/Spree GT	1	1
	B,C	1083199-NLA	NLA - Label, Hook Tie-Down	1	1
<p>NOTE: A - Includes Owner's Manual, Warranty Card, and Hook and Loop Fasteners            B - Not Shown            C - TRRO chairs only            D - Includes 2 ea. Angle Tilt (Right and Left), 2 ea. Indicator Tilt, 2 ea. Wheel Position, 1 ea. Patent, and 4 ea. Warning Decals            E - Includes 2 ea. Angle Tilt (Right and Left), 2 ea. Wheel Position, 1 ea. Patent, and 4 ea. Warning Decals.            F - Chairs built Before 5/22/06            G - Chairs built After 5/21/06            H - Item is no longer available from the Invacare Service Parts Department. Refer to the Invacare Website under "Product Literature Search". Enter the part number in the "Keywords" field and download a free PDF version copy.</p>					
When adjusting or replacing parts please refer to your Owner's Manual for assistance.					