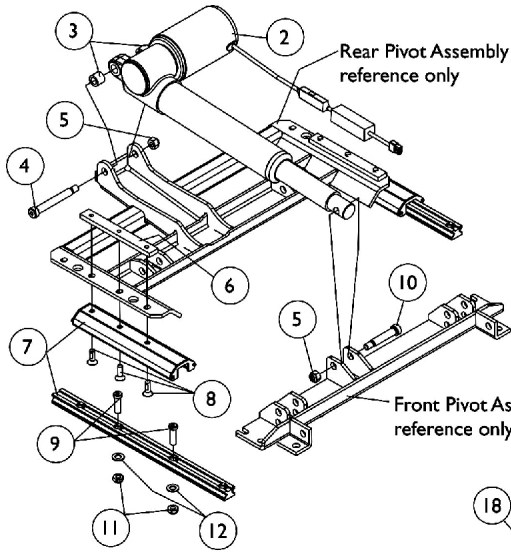
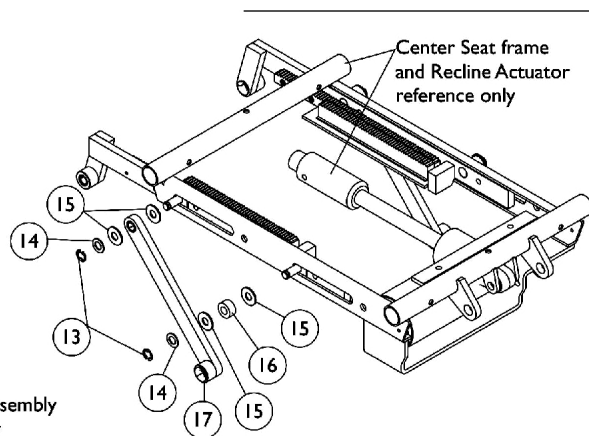


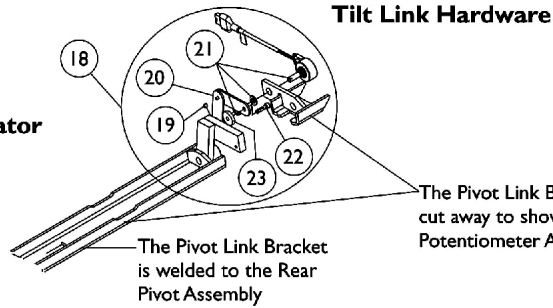
Conversion Kit - 2GR To 2GTR For TDX



Short Linear Guides, Tilt Actuator and Hardware



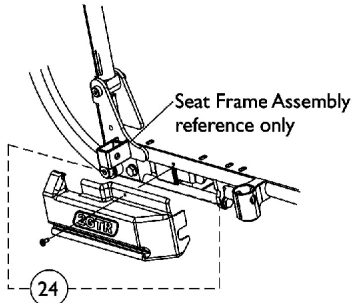
Center Seat frame and Recline Actuator reference only



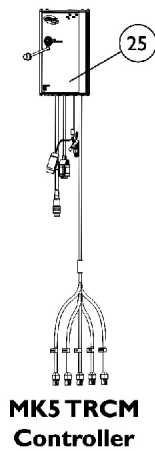
Tilt Link Hardware

The Pivot Link Bracket is welded to the Rear Pivot Assembly

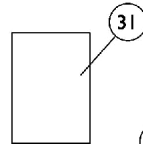
The Pivot Link Bracket is cut away to show the Tilt Potentiometer Assembly



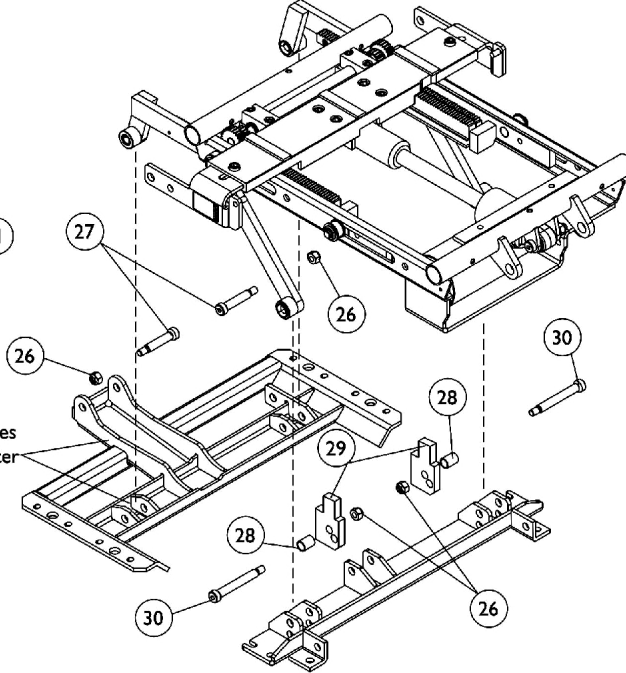
2GTR Shroud Cover Assembly



MK5 TRCM Controller



Rear Pivot Assembly includes the Potentiometer Link Bracket



Center Seat Frame Mounting Hardware

Conversion Kit - 2GR To 2GTR For TDX

Item Number	Note	Part Number	Description	Quantity Per	
				Package	Assembly
1	A,C	1140348	NLA - Kit, Conversion - 2GR To 2GTR On TDX For All User Weight Limits	1	1
2			NLA - Actuator Motor Assembly, Tilt	1	1
3			Bushing (3/8 x 5/8 x 1/2")	1	2
4			NLA - Bolt, Shoulder (3/8 x 2-1/2")	1	1
5			Locknut (5/16-18)	1	2
6			NLA - Bar, Clamp, Black	1	2
7			NLA - Guide, Linear - Short	1	2
8			NLA - Screw, Socket Flat Head w/ Patch (1/4-20 x 3/4")	1	6
9			NLA - Screw, Socket Head (5/16-18 x 1")	1	4
9			NLA - Screw, Socket Head w/ Patch (5/16-18 x 1-1/4")	1	4
10			Screw, Shoulder Hex Socket Head (3/8 x 1-1/2", 5/16-18)	1	1
11			Locknut (5/16-18)	1	4
12			Washer, Flat (5/16 x 5/8 x 1/16")	1	4
13			NLA - Ring, Retaining (3/8")	1	4
14			Washer, Flat (3/8 x 11/16 x 1/16")	1	4
15			Washer, Nylon (3/8 x 7/8 x 1/16")	1	8
16			NLA - Spacer (3/8 x 3/4 x 3/8")	1	2
17			NLA - Link, Tilt, Black	1	2
19			Screw, Set Socket Cup Point (#8-32 x 3/16")	1	1
20			NLA - Linkage, Tilt Potentiometer	1	1
21			NLA - Harness, Tilt Potentiometer with Nut and Washer	1	1
22			NLA - Screw, Socket Head (#8-32 x 5/8")	1	1
23			NLA - Washer, Nylon (3/16 x 3/4 x 5/32")	1	1
24			NLA - Shroud Cover Assembly with Decal - Right (2GTR)	1	1
24			NLA - Shroud Cover Assembly with Decal - Left (2GTR)	1	1
25			NLA - Reconditioned - Controller, MK5 TRCM	1	1
26			Locknut (5/16-18)	1	4
27			Screw, Shoulder Hex Socket Head (3/8 x 1-1/2", 5/16-18)	1	4
28			NLA - Bushing, Black (7/16 x 1/2 x 11/16")	1	2
29			NLA - Block, Black Tilt Angle	1	2
30			NLA - Bolt, Shoulder (3/8 x 2-1/2")	1	2
31			NLA - Instruction Sheet, Conversion Kit - 2GR To 2GTR	1	1
18	B	1117258-NLA	NLA - Tilt Potentiometer Assembly	1	1

NOTE: A - Includes items 2-17, 19-31 and used for all user weight limits
 B - Includes items 19-23
 C - Item number 9 part #1114962 was used before 12/19/05 and part #1108429 is used after 12/18/05