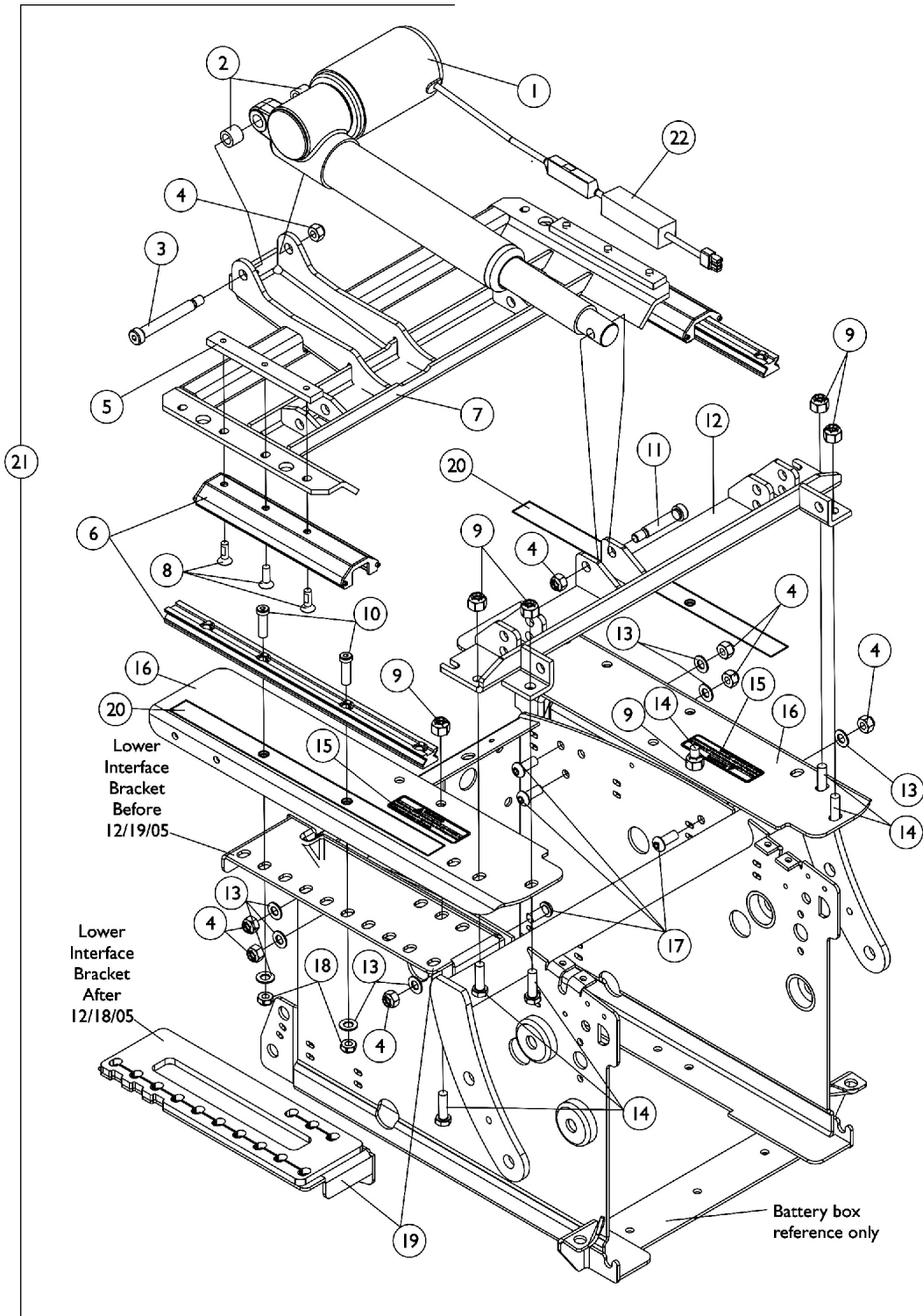


Interface Hardware and Tilt Actuator (To Attach 2GT, 2GTR To The Battery Box) Tilt Only (2GT) and Tilt/Recline (2GTR)



Interface Hardware and Tilt Actuator (To Attach 2GT, 2GTR To The Battery Box) Tilt Only (2GT) and Tilt/Recline (2GTR)

Item Number	Note	Part Number	Description	Quantity Per	
				Package	Assembly
1	E	1082778-NLA	NLA - Actuator Motor Assembly, Tilt	1	1
2		1105039	Bushing (3/8 x 5/8 x 1/2")	1	2
3		1070411-NLA	NLA - Bolt, Shoulder (3/8 x 2-1/2")	1	1
4		1026158	Locknut (5/16-18)	1	8
5		1082877-NLA	NLA - Bar, Clamp, Black	1	2
6		1113618-NLA	NLA - Guide, Linear - Short	1	2
7		1113594-NLA	NLA - Pivot Assembly, Rear	1	1
8		1091869-NLA	NLA - Screw, Socket Flat Head w/ Patch (1/4-20 x 3/4")	1	6
9		1064267	Locknut (5/16-18)	1	6
10	B	1114962-NLA	NLA - Screw, Socket Head (5/16-18 x 1")	1	4
10	C	1108429-NLA	NLA - Screw, Socket Head w/ Patch (5/16-18 x 1-1/4")	1	4
11		1031665	Screw, Shoulder Hex Socket Head (3/8 x 1-1/2", 5/16-18)	1	1
12		1113604-NLA	NLA - Pivot Assembly, Front	1	1
13		1025704	Washer, Flat (5/16 x 5/8 x 1/16")	1	10
14		1043629	Screw, Hex Head w/ Patch (5/16-18 x 1-1/4")	1	6
15		1118370-NLA	NLA - Decal, Warning, 2GTR Seat Repositioning	1	2
16		1120348-NLA	NLA - Kit, Bracket w/ Decal, Black - Right (2GTR)	1	1
16		1120349-NLA	NLA - Kit, Bracket w/ Decal, Black - Left (2GTR)	1	1
17		1071955	Screw, Socket Button Head (5/16-18 x 3/4")	1	6
18		1028769	Locknut (5/16-18)	1	4
19	B	1114964-NLA	NLA - Bracket, Lower Interface, Black - Right	1	1
19	B	1114965-NLA	NLA - Bracket, Lower Interface, Black - Left	1	1
19	C	1140829-NLA	NLA - Bracket, Lower Interface, Black - Right	1	1
19	C	1140830-NLA	NLA - Bracket, Lower Interface, Black - Left	1	1
20	D	1121117-NLA	NLA - Shim, Short Seat Guide Slide	1	2
21	A,H	See Note	See Footnote	1	1
22	F	1140059-NLA	NLA - Kit, Actuator Braking Module w/ Instruction Sheet	1	1
	G	1141508	Instruction Sheet, Actuator Braking Module	1	1

NOTE: A - Includes items 1-20 and used to attach a 2GT or 2GTR to the battery box. When item 21 is ordered, item 19 Lower Interface Bracket made after 12/18/05 will be shipped. The seat to floor height will be raised 1/4".
 B - Before 12/19/05
 C - After 12/18/05
 D - Item 20 is no longer used after 12/18/05
 E - Actuator Braking Module added to Tilt Actuator and is backward compatible to all systems manufactured before 5/18/06. The addition of the braking module eliminated the requirement of a Heavy Duty Tilt Actuator.
 F - Actuator Braking Module can be assembled in the field on seating systems manufactured before 5/18/06 as well. Must verify with an Invacare Technician when a kit is required.
 G - Not Shown
 H - Part number is no longer available as a service part.