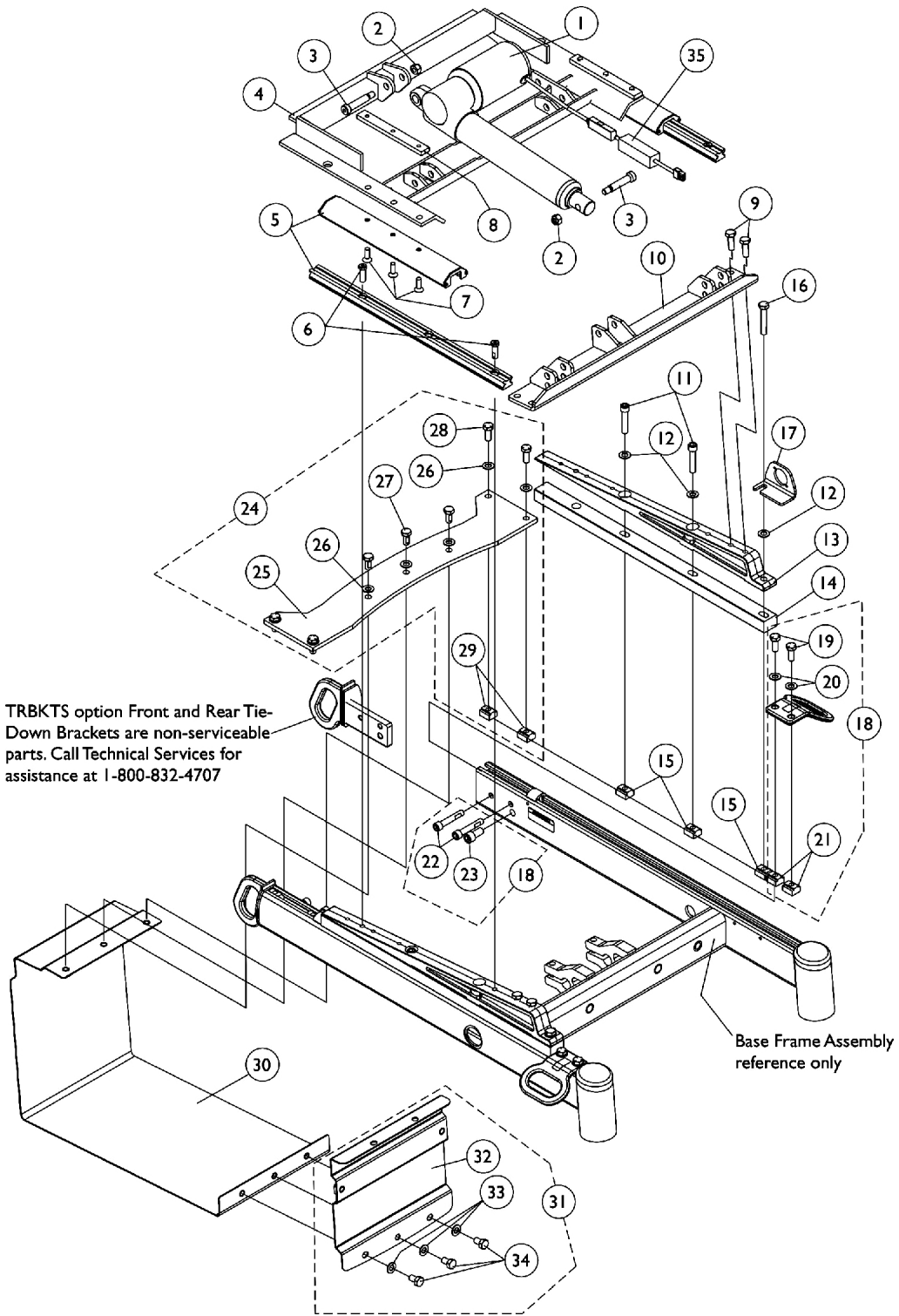


Base Frame Interface Hardware - RWD

Tilt Only (2GT) and Tilt/Recline (2GTR) with TRBKTS Option



Base Frame Interface Hardware - RWD

Tilt Only (2GT) and Tilt/Recline (2GTR) with TRBKTS Option

Item Number	Note	Part Number	Description	Quantity Per	
				Package	Assembly
1	D	1082778-NLA	NLA - Actuator Motor Assembly, Tilt	1	1
2		1026158	Locknut (5/16-18)	1	4
3		1031665	Screw, Shoulder Hex Socket Head (3/8 x 1-1/2", 5/16-18)	1	2
4		1082873-NLA	NLA - Pivot Assembly, Rear	1	1
5		1082760-NLA	NLA - Guidance Assembly, Linear	1	2
6		1117326-NLA	NLA - Screw, Socket Head w/ Patch (5/16-18 x 7/8")	1	4
7		1091869-NLA	NLA - Screw, Socket Flat Head w/ Patch (1/4-20 x 3/4")	1	6
8		1082877-NLA	NLA - Bar, Clamp, Black	1	2
9		1070462-NLA	NLA - Screw, Hex Head w/ Patch (5/16-18 x 7/8")	1	4
10		1082872-NLA	NLA - Bracket, Pivot, Front, Black	1	1
11		1021344	Screw, Socket Head (5/16-18 x 1-1/2")	1	4
12		1025704	Washer, Flat (5/16 x 5/8 x 1/16")	1	6
13		1082880-NLA	NLA - Support, Seat	1	2
14		1140342	Spacer, Seat Support Mounting, Black	1	2
15		1069724	T-Nut (5/16-18)	1	6
16		1043627-NLA	NLA - Screw, Hex Head w/ Patch (5/16-18 x 1-3/4")	1	2
17		1070430-NLA	NLA - Bracket, Charger Connector, Black	1	1
18	A	1140259-NLA	NLA - Kit, Front/Rear Tie-Down Brackets Mounting Hardware	1	1
19			NLA - Screw, Hex Head (5/16-18 x 3/4")	1	4
20			Washer, Flat (5/16 x 5/8 x 1/16")	1	4
21			T-Nut (5/16-18)	1	4
22			Screw, Socket Head w/ Patch (5/16-18 x 1-3/4")	1	4
23			NLA - Screw, Socket Head (3/8-16 x 3/4")	1	2
24	B	1140263	NLA - Kit, Top Battery Support Bracket and Mounting Hardware	1	1
25			Bracket, Top Battery Support, Black	1	1
26			Washer, Flat (5/16 x 5/8 x 1/16")	1	7
27			Screw, Hex Head w/ Patch (5/16-18 x 5/8")	1	3
28			Screw, Hex Head w/ Patch (5/16-18 x 3/4")	1	4
29			T-Nut (5/16-18)	1	4
30		1135963	Bracket, Battery Support, Black	1	1
31	C	1140260-NLA	NLA - Kit, Front Battery Support Bracket with Mounting Hardware	1	1
32			Bracket, Battery Support, Front, Black	1	1
33			Washer, Flat (5/16 x 5/8 x 1/16")	1	3
34			NLA - Screw, Hex Head w/ Patch (5/16-18 x 1/2")	1	3
35	E	1140059-NLA	NLA - Kit, Actuator Braking Module w/ Instruction Sheet	1	1
	F	1141508	Instruction Sheet, Actuator Braking Module	1	1

Base Frame Interface Hardware - RWD

Tilt Only (2GT) and Tilt/Recline (2GTR) with TRBKTS Option

NOTE: A - Includes items 19-23
B - Includes items 25-28
C - Includes items 32-34
D - Actuator Braking Module added to Tilt Actuator and is backward compatible to all systems manufactured before 5/18/06. The addition of the braking module eliminated the requirement of a Heavy Duty Tilt Actuator.
E - Actuator Braking Module can be assembled in the field on seating systems manufactured before 5/18/06 as well. Must verify with an Invacare Technician when a kit is required.
F - Not Shown