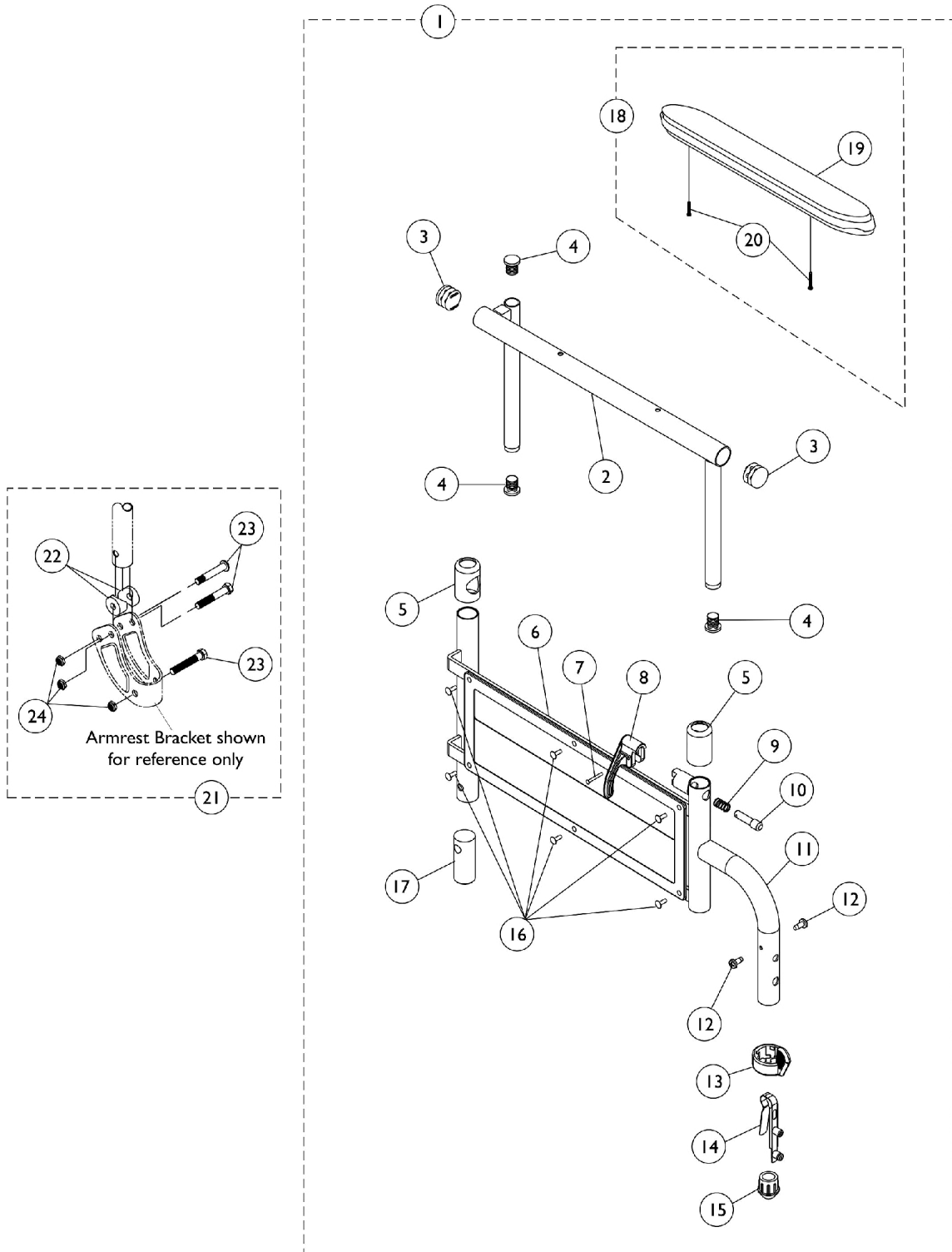


Adjustable Height Space Saver Arms

79/89 Style Arm



Adjustable Height Space Saver Arms

79/89 Style Arm

Item Number	Note	Part Number	Description	Quantity Per	
				Package	Assembly
1	A,E	8881135546	Kit, Armrest, Desk Length, Black - Right (Style 89)	1	1
2			Tube, Armrest, Desk, Black - Right	1	1
3			Plug Button, Black (5/8")	1	3
4			Plug Button, Black (7/8")	1	2
5			Anti-Rattle	1	2
6			Guard, Clothing	1	1
7			Handle, Lock, Black - Right	1	1
8			Rivet, Tubular	1	1
9			Spring, Arm Lock	1	1
10			Pin, Locking	1	1
11			Base, Arm, Black - Right	1	1
12			Screw, Phillips Pan Head Tap (#6-20 x 3/8")	1	2
13			Handle, Quad Release	1	1
14			Spring, Torsion with Button Lock	1	1
15			Plug, Armrest, Black (3/4") (18GA)	1	1
16			Rivet	1	6
17			Insert, Arm, Black	1	1
19			Arm Pad, Desk Length w/ Law Label	1	1
20			Package, Screw Phillips Pan Head (#10-32 x 1-1/8")	1	2
1	A,E		8881135547	Kit, Armrest, Desk Length, Black - Left (Style 89)	1
2		Tube, Armrest, Desk, Black - Left		1	1
3		Plug Button, Black (5/8")		1	3
4		Plug Button, Black (7/8")		1	2
5		Anti-Rattle		1	2
6		Guard, Clothing		1	1
7		Handle, Lock, Black - Left		1	1
8		Rivet, Tubular		1	1
9		Spring, Arm Lock		1	1
10		Pin, Locking		1	1
11		Base, Arm, Black - Left		1	1
12		Screw, Phillips Pan Head Tap (#6-20 x 3/8")		1	2
13		Handle, Quad Release		1	1
14		Spring, Torsion with Button Lock		1	1
15		Plug, Armrest, Black (3/4") (18GA)		1	1
16		Rivet		1	6
17		Insert, Arm, Black		1	1
19		Arm Pad, Desk Length w/ Law Label		1	1
20		Package, Screw Phillips Pan Head (#10-32 x 1-1/8")		1	2
	B	1101333-NLA		NLA - Decal, Invacare Logo (2.75)	1
18	C,E	8881127510	Kit, Arm Pad w/Screws - Desk Length	1	1
19			Arm Pad, Desk Length w/ Law Label	1	1
20			Package, Screw Phillips Pan Head (#10-32 x 1-1/8")	1	2
21	D	1121529-NLA	NLA - Kit, Arm Attaching Hardware	1	1
22			Spacer, Coved (1/4 x 3/4 x 11/32")	1	4
23			Screw, Hex Head (1/4-20 x 1-1/2")	1	6
24			NLA - Locknut (1/4-20)	1	6

Adjustable Height Space Saver Arms

79/89 Style Arm

NOTE: A - Includes items 2-20.
B - Not Shown
C - Includes items 19 and 20.
D - Includes items 22-24.
E - Specify upholstery color U67 (Black) when ordering.