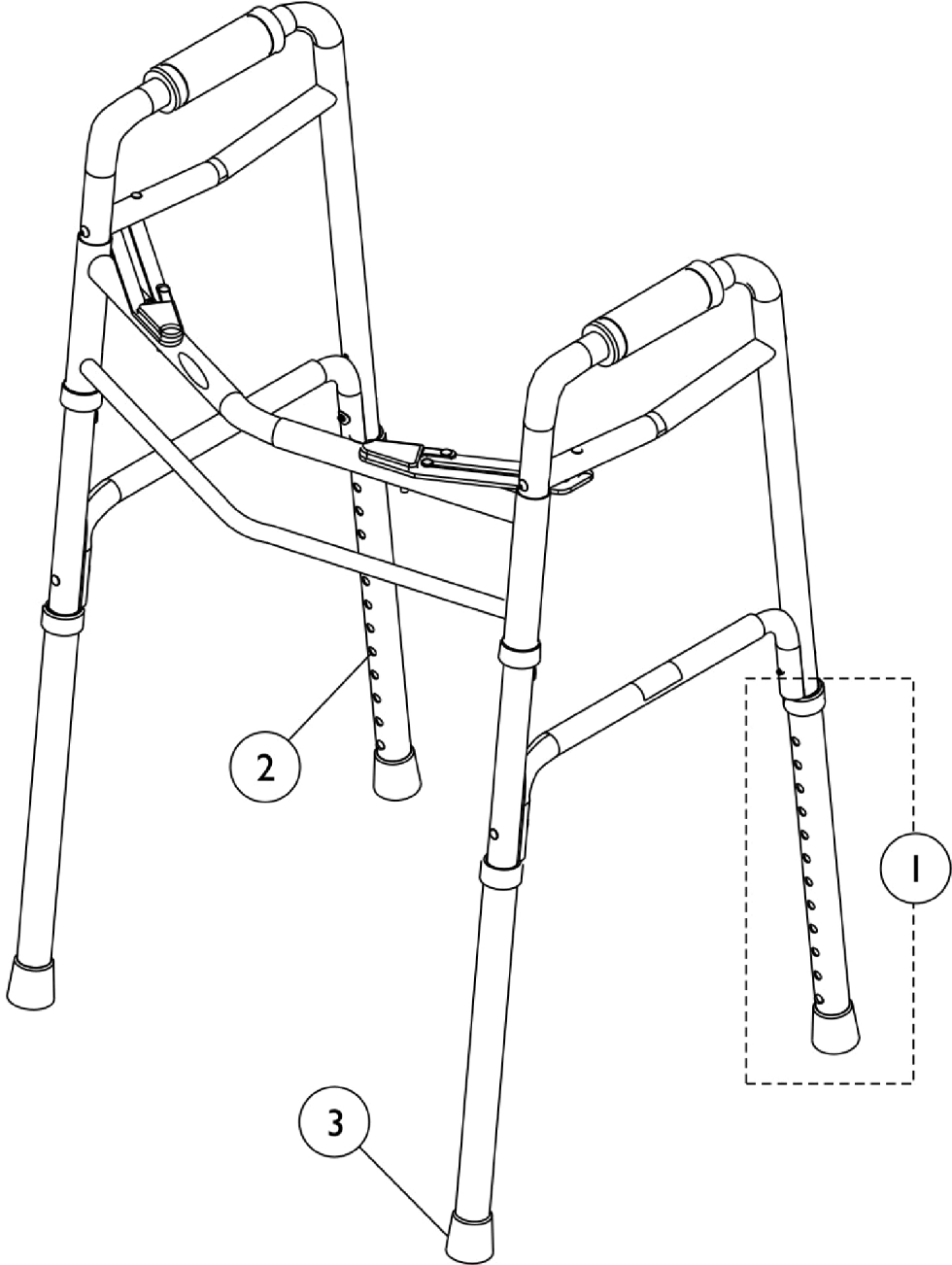


# Walker (Dual Release Bariatric - Model 6441-A)



## Walker (Dual Release Bariatric - Model 6441-A)

Item Number	Note	Part Number	Description	Quantity Per	
				Package	Assembly
1		1141745	Leg Extension Assembly	1	4
2		1141746-NLA	NLA - Package, Snap Button	10	1
3		1141747-NLA	NLA - Package, Tips	10	1
3		1148146-NLA	NLA - Package, Tip	10	1

Replacement parts for the Bariatric Wheel Kit are non-serviceable and must be ordered complete.