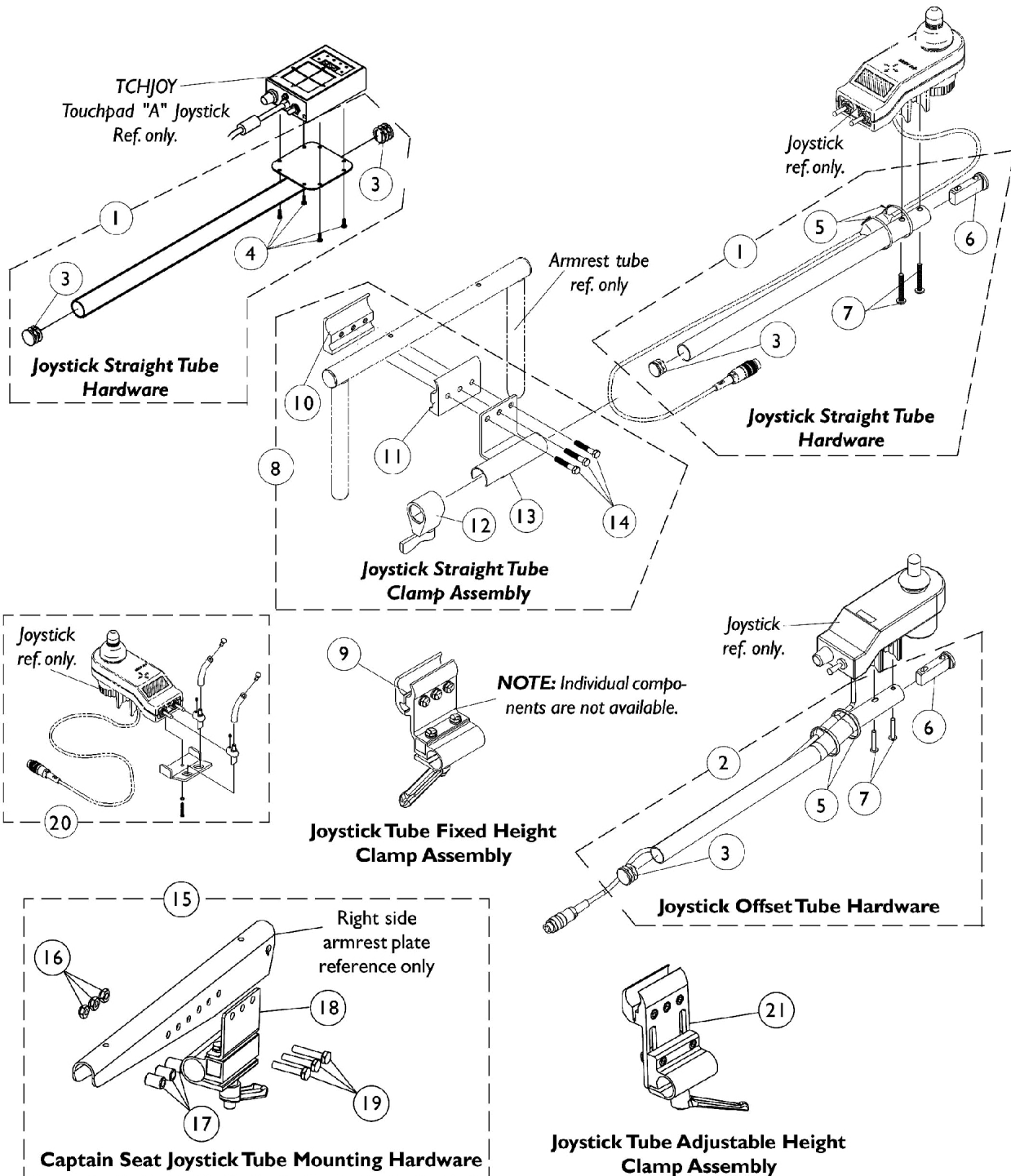


MKIV Joystick Mounting Hardware and Joystick Accessories



MKIV Joystick Mounting Hardware and Joystick Accessories

Item Number	Note	Part Number	Description	Quantity Per	
				Package	Assembly
1	B,N	1092604-NLA	NLA - Kit, Straight Joystick Tube with Hardware	1	1
1	C,D,K	1043568	Kit, Straight Joystick Tube with Hardware	1	1
2	D,E,L,L 1	1093069	Kit, 1/2" Offset Joystick Tube with Hardware	1	1
3		1027095	Plug Button, Black (7/8")	1	1
4		1052041	Screw, Phillips Pan Head (#4-40 x 3/8")	1	1
5	F	1095502-NLA	NLA - Package, Tie Wrap (11-1/2" L)	10	2
6		1093063	Spacer, Joystick Tube, Black	1	1
7		1025714	Screw, Phillips Pan Head (#10-32 x 1-1/8")	1	1
8	C,G,J	1049591-NLA	NLA - Hardware, Joystick Tube Mounting	1	1
9	E,L,L1	1093071	Clamp, Fixed Height Joystick Tube	1	1
10		1027267-NLA	NLA - Half Clamp, Threaded Holes	1	1
11		1027266	Half Clamp, Non-Threaded Holes	1	1
12		1027274	Adjustment Lock Assembly, Black	1	1
13		1049582-NLA	NLA - Bracket, Joystick Mounting, Black	1	1
14		16690X004-NLA	NLA - Screw, Hex Head (1/4-20 x 1-1/8")	1	1
15	H	1105050-NLA	NLA - Kit, Joystick Tube Mounting Hardware - Captain/ Van Seat	1	1
16		1025195	Locknut (1/4-20)	1	1
17		1101524-NLA	NLA - Spacer (1/4 x 7/16 x 5/8")	1	3
18		1105049	Clamp Assembly, Fixed Height, Captain/ Van Seat	1	1
19		1057955	Screw, Hex Head (1/4-20 x 1-1/4")	1	3
20		1055736-NLA	NLA - Kit, Toggle Switch Extension	1	1
21		1139422	Clamp, Height Adjustable Joystick Tube (ARM250)	1	1
	A	1006270	Extension, Joystick, "T" Style (1560) (4" W x 5-1/2" L)	1	1
	A	1006271	Extension, Joystick, Straight Style (1561) (1/2" W x 5" L)	1	1

NOTE: A - Not Shown.
 B - Includes items 3 and 4.
 C - Before 10/4/00.
 D - Includes items 3, 5, 6 and 7.
 E - After 10/3/00. MKIV RII, RX, A, A+ PSF/PSR.
 F - Package of 10.
 G - Includes items 10-14.
 H - Includes items 16-19.
 J - PS, TCHJOY and (RII, RX, A, A+, PSF/PSR).
 K - MKIV RII, RX, A, A+ PSF/PSR.
 L - The joystick straight tube changed to an offset joystick tube on 10/4/00. The joystick tube mounting hardware also changed to a new fixed height clamp assembly to allow an individual to use an
 L1 - adjustment lever to securely hold the joystick tube in place. The fixed height joystick tube clamp can be used as a direct replacement in the field for the joystick tube mounting hardware part number 1049591 manufactured for chairs before 10/4/00.
 N - Due to product improvement, the joystick mounting bracket with a separate adjustment lock was replaced with the clamp assembly shown as of 2/20/03 and is backward compatible.