

Quad Link Assembly (QL)

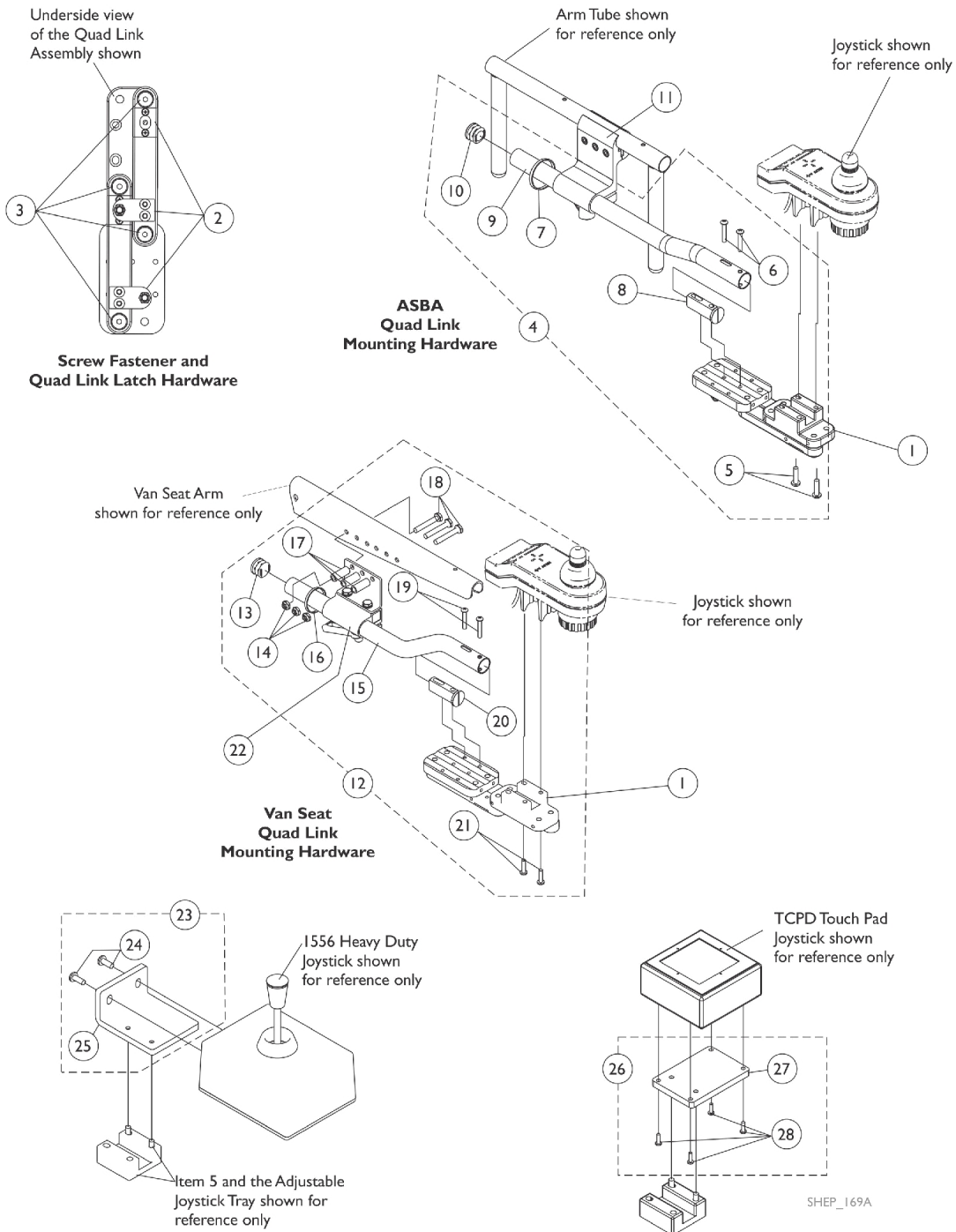
(After 4/06/06)

When converting an old style Quad Link that attaches to a mounting plate or (a Flex or Touch Pad Joystick Tube) is currently on the chair then order the following for:

a) ASBA Seat; Quad Link Mtg. Hdwr. (item 4), Quad Link (item 1) & Ht. Adj. Joystick Tube Clamp (item 11)

b) Van Seat; Quad Link Mtg. Hdwr. (item 12), Quad Link (item 1) & Joystick Tube Clamp (item 22)

NOTE: Substitute (item 4 & 12) with 2 ea. of the PPH Screws (item 5) when an offset joystick tube is currently on the chair. Additional Joystick Mtg. Hdwr. must be ordered when a 1556 Heavy Duty Touch Pad is used.



Quad Link Assembly (QL) (After 4/06/06)

When converting an old style Quad Link that attaches to a mounting plate or (a Flex or Touch Pad Joystick Tube) is currently on the chair then order the following for:

a) ASBA Seat; Quad Link Mtg. Hdw. (item 4), Quad Link (item 1) & Ht. Adj. Joystick Tube Clamp (item 11)

b) Van Seat; Quad Link Mtg. Hdw. (item 12), Quad Link (item 1) & Joystick Tube Clamp (item 22)

NOTE: Substitute (item 4 & 12) with 2 ea. of the PPH Screws (item 5) when an offset joystick tube is currently on the chair. Additional Joystick Mtg. Hdw. must be ordered when a 1556 Heavy Duty or TCPD Touch Pad is used.

Item Number	Note	Part Number	Description	Quantity Per	
				Package	Assembly
1		1140898	Quad Link (QL) with Instruction Sheet - Right	1	1
1		1140899	Quad Link (QL) with Instruction Sheet - Left	1	1
2	A	1140425	Kit, Quad Link Latch Hardware	1	1
3	B	1140424-NLA	NLA - Kit, Quad Link Screw Fastener Hardware	1	1
4	C,C1	1142937	Kit, ASBA/ADJASBA Quad Link Mounting Hardware	1	1
5			Screw, Phillips Pan Head w/ Patch (#10-32 x 3/4")	1	2
6			Screw, Phillips Pan Head (#10-32 x 1-1/8")	1	2
7			Tie Wrap (11-1/2" L)	1	1
8			Spacer, Joystick Tube, Black	1	1
9			Tube, Joystick Offset (2")	1	1
10			Plug Button, Black (7/8")	1	1
5		1105414	Screw, Phillips Pan Head w/ Patch (#10-32 x 3/4")	1	2
11		1093071	Clamp, Fixed Height Joystick Tube	1	1
12	C1,G,H ,H1	1143041-NLA	NLA - Kit, Quad Link Mounting Hardware - Van Seat	1	1
13			Plug Button, Black (7/8")	1	1
14			Locknut (1/4-20)	1	3
15			Tube, Joystick Offset (2")	1	1
16			Tie Wrap (11-1/2" L)	1	1
17			NLA - Spacer (1/4 x 7/16 x 5/8")	1	3
18			Screw, Hex Head (1/4-20 x 1-1/4")	1	3
19			Screw, Phillips Pan Head (#10-32 x 1-1/8")	1	2
20			Spacer, Joystick Tube, Black	1	1
21			Screw, Phillips Pan Head w/ Patch (#10-32 x 3/4")	1	2
22		1139681	Clamp Assembly, Fixed Height, Captain/ Van Seat	1	1
23	D	1139925-NLA	NLA - Kit, 1556 Heavy Duty Joystick To Quad Link Mounting Hardware	1	1
24			Screw, Phillips Pan Head (#10-32 x 1/2")	1	2
25			NLA - Plate, 1556 HD Joystick Quad Link	1	1
26	E	1139683-NLA	NLA - Kit, TCPD Touch Pad To Quad Link Mounting Hardware	1	1
27			Plate, TCPD Touch Pad Quad Link	1	1
28			Screw, Phillips Pan Head (#4-40 x 3/8")	1	4
29		1139682-NLA	NLA - Kit, MPJ Joystick To Quad Link Mounting Hardware	1	1
30	F	1134844	NLA - T-Nut (#10-32) Instruction Sheet, Quad Link	1	2 1

Quad Link Assembly (QL)

(After 4/06/06)

When converting an old style Quad Link that attaches to a mounting plate or (a Flex or Touch Pad Joystick Tube) is currently on the chair then order the following for:

a) ASBA Seat; Quad Link Mtg. Hdw. (item 4), Quad Link (item 1) & Ht. Adj. Joystick Tube Clamp (item 11)

b) Van Seat; Quad Link Mtg. Hdw. (item 12), Quad Link (item 1) & Joystick Tube Clamp (item 22)

NOTE: Substitute (item 4 & 12) with 2 ea. of the PPH Screws (item 5) when an offset joystick tube is currently on the chair. Additional Joystick Mtg. Hdw. must be ordered when a 1556 Heavy Duty or TCPD Touch Pad is used.

NOTE: A - Latch Kit includes 4 ea. Button Head Cap Screws (10-32 x 3/8"), 2 ea. Latch Spring Assembly, 4 ea. Phillips Flat C'Sunk Head Screws, 2 ea. Spring Catch Plates, 2 ea. Socket Head Set Screws (10-32 x 3/8")
B - Screw Fastener Kit includes 4 ea. Socket Head Shoulder Screws (3/8 x 3/8"), 2 ea. Socket Head Cap Screws (1/4-20 x 3/8"), 2 ea. Socket Head Set Screws (1/4-20 x 1/2"), 4 ea. Socket Head Set Screws (10-32 x 1/8")
C - Includes items 5-10. The Quad Link Mounting Hardware accommodates MKIV RII, and PSF/PSR joysticks.
C1 - When ordering the Quad Link for the first time, Additional hardware is required for 1556 Heavy Duty and TCPD Touch Pad joysticks. See pictorial for reference.
D - Includes items 24 and 25
E - Includes items 27 and 28
F - Not Shown
G - Includes items 13-21. The Quad Link Mounting Hardware accommodates MKIV RII, and PSF/PSR joysticks.
H - If Quad Link is to be mounted on chairs w/ van seats built Before 4/07/06, then the Armrest Attach. Hdw. (1074120) must be ordered as well.
H1 - The new armrest plates have 3 additional holes drilled so that the quad link can be properly mounted.