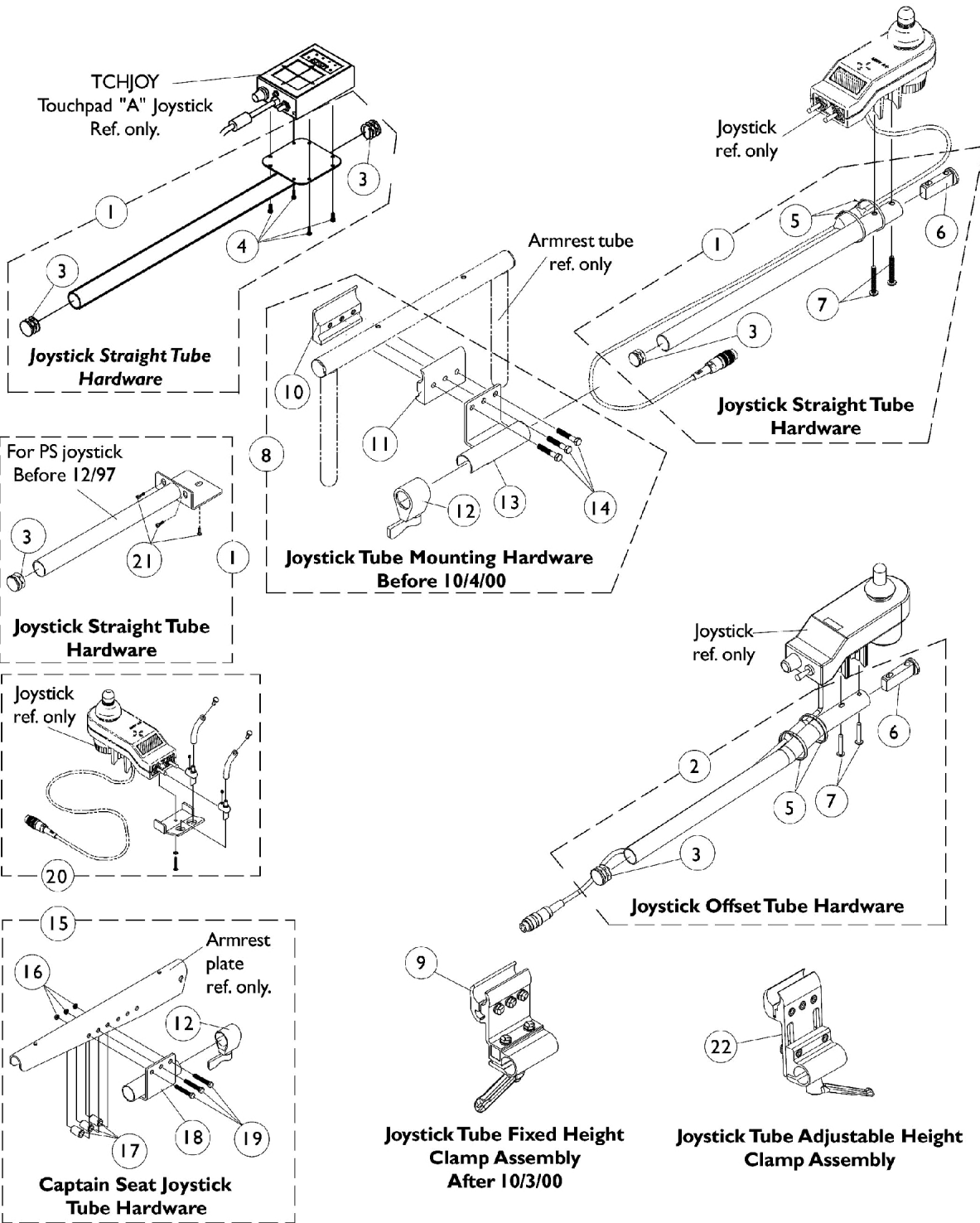


MKIV Joystick Mounting Hardware and Joystick Accessories



MKIV Joystick Mounting Hardware and Joystick Accessories

| Item Number | Note | Part Number | Description | Quantity Per | |
|-------------|--------------|-------------|--|--------------|----------|
| | | | | Package | Assembly |
| 1 | I | 1052719-NLA | NLA - Kit, Straight Joystick Tube with Hardware | 1 | 1 |
| 1 | B,M | 1092604-NLA | NLA - Kit, Straight Joystick Tube with Hardware | 1 | 1 |
| 1 | C,D,K | 1043568 | Kit, Straight Joystick Tube with Hardware | 1 | 1 |
| 2 | D,E,L,L 1 | 1093069 | Kit, 1/2" Offset Joystick Tube with Hardware | 1 | 1 |
| 3 | | 1027095 | Plug Button, Black (7/8") | 1 | 1 |
| 4 | | 7930339-NLA | NLA - Package, Screw, Phillips Pan Head (#4-40 x 3/8") | 25 | 1 |
| 5 | F | 1095502-NLA | NLA - Package, Tie Wrap (11-1/2" L) | 10 | 2 |
| 6 | | 1093063 | Spacer, Joystick Tube, Black | 1 | 1 |
| 7 | | 7930327-NLA | NLA - Package, Screw, Phillips Pan Head (#10-32 x 1-1/8") | 25 | 1 |
| 8 | C,G,J | 1049591-NLA | NLA - Hardware, Joystick Tube Mounting | 1 | 1 |
| 9 | E,K,L,L 1 | 1093071 | Clamp, Fixed Height Joystick Tube | 1 | 1 |
| 10 | | 1027267-NLA | NLA - Half Clamp, Threaded Holes | 1 | 1 |
| 11 | | 1027266 | Half Clamp, Non-Threaded Holes | 1 | 1 |
| 12 | | 1027274 | Adjustment Lock Assemnbly, Black | 1 | 1 |
| 13 | | 1049582-NLA | NLA - Bracket, Joystick Mounting, Black | 1 | 1 |
| 14 | | 7930349-NLA | NLA - Screw, Hex Head (1/4-20 x 1-1/8") | 25 | 1 |
| 15 | H,L,N | 1105050-NLA | NLA - Kit, Joystick Tube Mounting Hardware - Captain/ Van Seat | 1 | 1 |
| 16 | | 7930323-NLA | NLA - Package, Locknut (1/4-20) | 25 | 1 |
| 17 | | 1101524-NLA | NLA - Spacer (1/4 x 7/16 x 5/8") | 1 | 3 |
| 18 | N | 1105049 | Clamp Assembly, Fixed Height, Captain/ Van Seat | 1 | 1 |
| 19 | | 1057955 | Screw, Hex Head (1/4-20 x 1-1/4") | 1 | 3 |
| 20 | | 1055736-NLA | NLA - Kit, Toggle Switch Extension | 1 | 1 |
| 21 | | 1016401-NLA | NLA - Screw, Phillips Round Head (#10-32 x 3/8") | 1 | 3 |
| 22 | | 1139422 | Clamp, Height Adjustable Joystick Tube (ARM250) | 1 | 1 |
| | A | 1006270 | Extension, Joystick, "T" Style (1560) (4" W x 5-1/2" L) | 1 | 1 |
| | A | 1006271 | Extension, Joystick, Straight Style (1561) (1/2" W x 5" L) | 1 | 1 |

MKIV Joystick Mounting Hardware and Joystick Accessories

NOTE: A - Not Shown.
B - Includes items 3 and 4.
C - Before 10/4/00.
D - Includes items 3, 5, 6 and 7.
E - After 10/3/00. MKIV RII, RX, A, A+ PSF/PSR.
F - Package of 10.
G - Includes items 10-14.
H - Includes items 16-19.
I - Includes items 3 and 21.
J - PS, TCHJOY and (RII, RX, A, A+, PSF/PSR).
K - MKIV RII, RX, A, A+ PSF/PSR.
L - The joystick straight tube changed to an offset joystick tube on 10/4/00. The joystick tube mounting hardware also changed to a new fixed height clamp assembly to allow an individual to use an
L1 - adjustment lever to securely hold the joystick tube in place. The fixed height joystick tube clamp can be used as a direct replacement in the field for the joystick tube mounting hardware part number 1049591 manufactured for chairs before 10/4/00.
M - TCHJOY Touchpad "A" Joystick.
N - Due to product improvement, the joystick mounting bracket with a separate adjustment lock was replaced with the clamp assembly shown as of 2/20/03 and is backward compatible.