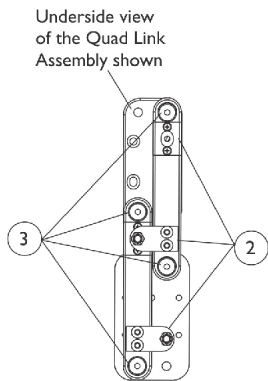


Quad Link Assembly (QL)

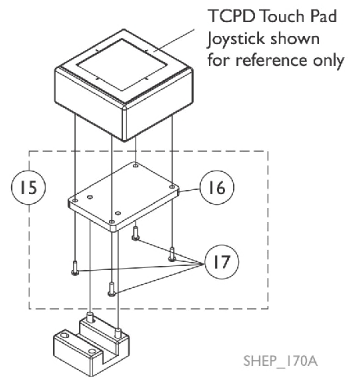
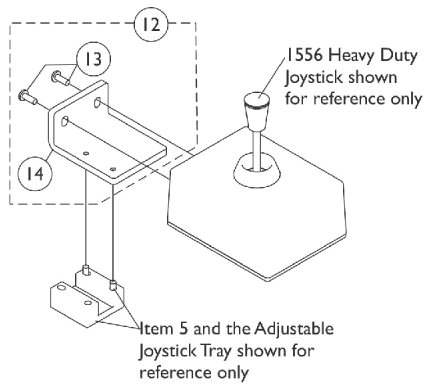
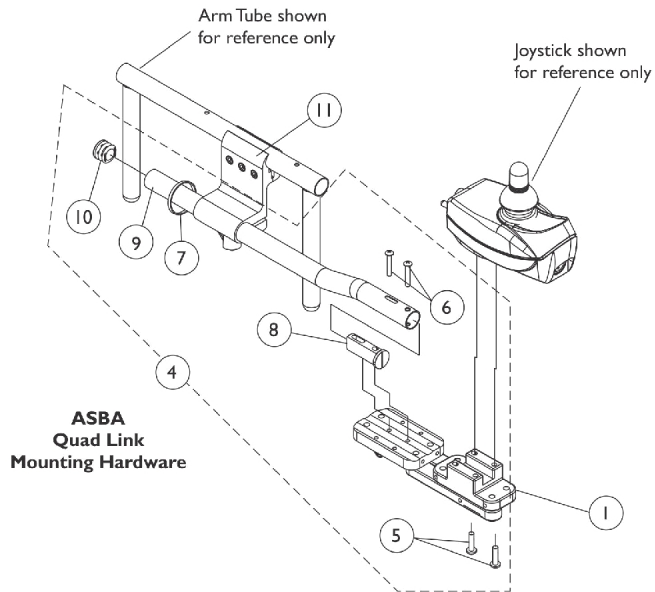
After 4/06/06

When converting an old style Quad Link that attaches to a mounting plate or (a Flex or Touch Pad Joystick Tube) is currently on the chair then order the following for ASBA Seat; Quad Link Mtg. Hdw. (item 4), Quad Link (item 1) & Ht. Adj. Joystick Tube Clamp (item 11)

NOTE: Substitute (item 4) with 2 ea. of the PPH Screws (item 5) when an offset joystick tube is currently on the chair. Additional Joystick Mtg. Hdw. must be ordered when a 1556 Heavy Duty or TCPD Touch Pad is used.



Screw Fastener and Quad Link Latch Hardware



SHEP_170A

Quad Link Assembly (QL)

After 4/06/06

When converting an old style Quad Link that attaches to a mounting plate or (a Flex or Touch Pad Joystick Tube) is currently on the chair then order the following for ASBA Seat; Quad Link Mtg. Hdwr. (item 4), Quad Link (item 1) & Ht. Adj. Joystick Tube Clamp (item 11)

NOTE: Substitute (item 4) with 2 ea. of the PPH Screws (item 5) when an offset joystick tube is currently on the chair. Additional Joystick Mtg. Hdwr. must be ordered when a 1556 Heavy Duty or TCPD Touch Pad is used.

Item Number	Note	Part Number	Description	Quantity Per	
				Package	Assembly
1		1140898	Quad Link (QL) with Instruction Sheet - Right	1	1
1		1140899	Quad Link (QL) with Instruction Sheet - Left	1	1
2	A	1140425	Kit, Quad Link Latch Hardware	1	1
3	B	1140424-NLA	NLA - Kit, Quad Link Screw Fastener Hardware	1	1
4	C,C1	1142937	Kit, ASBA/ADJASBA Quad Link Mounting Hardware	1	1
5			Screw, Phillips Pan Head w/ Patch (#10-32 x 3/4")	1	2
6			Screw, Phillips Pan Head (#10-32 x 1-1/8")	1	2
7			Tie Wrap (11-1/2" L)	1	1
8			Spacer, Joystick Tube, Black	1	1
9			Tube, Joystick Offset (2")	1	1
10			Plug Button, Black (7/8")	1	1
5		1105414	Screw, Phillips Pan Head w/ Patch (#10-32 x 3/4")	1	2
11		1093071	Clamp, Fixed Height Joystick Tube	1	1
12	D	1139925-NLA	NLA - Kit, 1556 Heavy Duty Joystick To Quad Link Mounting Hardware	1	1
13			Screw, Phillips Pan Head (#10-32 x 1/2")	1	2
14			NLA - Plate, 1556 HD Joystick Quad Link	1	1
15	E	1139683-NLA	NLA - Kit, TCPD Touch Pad To Quad Link Mounting Hardware	1	1
16			Plate, TCPD Touch Pad Quad Link	1	1
17			Screw, Phillips Pan Head (#4-40 x 3/8")	1	4
	F	1134844	Instruction Sheet, Quad Link	1	1

NOTE: A - Latch Kit includes 4 ea. Button Head Cap Screws (10-32 x 3/8"), 2 ea. Latch Spring Assembly, 4 ea. Phillips Flat C'Sunk Head Screws, 2 ea. Spring Catch Plates, 2 ea. Socket Head Set Screws (10-32 x 3/8")
 B - Screw Fastener Kit includes 4 ea. Socket Head Shoulder Screws (3/8 x 3/8"), 2 ea. Socket Head Cap Screws (1/4-20 x 3/8"), 2 ea. Socket Head Set Screws (1/4-20 x 1/2"), 4 ea. Socket Head Set Screws (10-32 x 1/8")
 C - Includes items 5-10. The Quad Link Mounting Hardware accommodates MKIV RII, and PSF/PSR joysticks.
 C1 - When ordering the Quad Link for the first time, Additional hardware is required for 1556 Heavy Duty and TCPD Touch Pad joysticks. See pictorial for reference.
 D - Includes items 13 and 14
 E - Includes items 16 and 17
 F - Not Shown