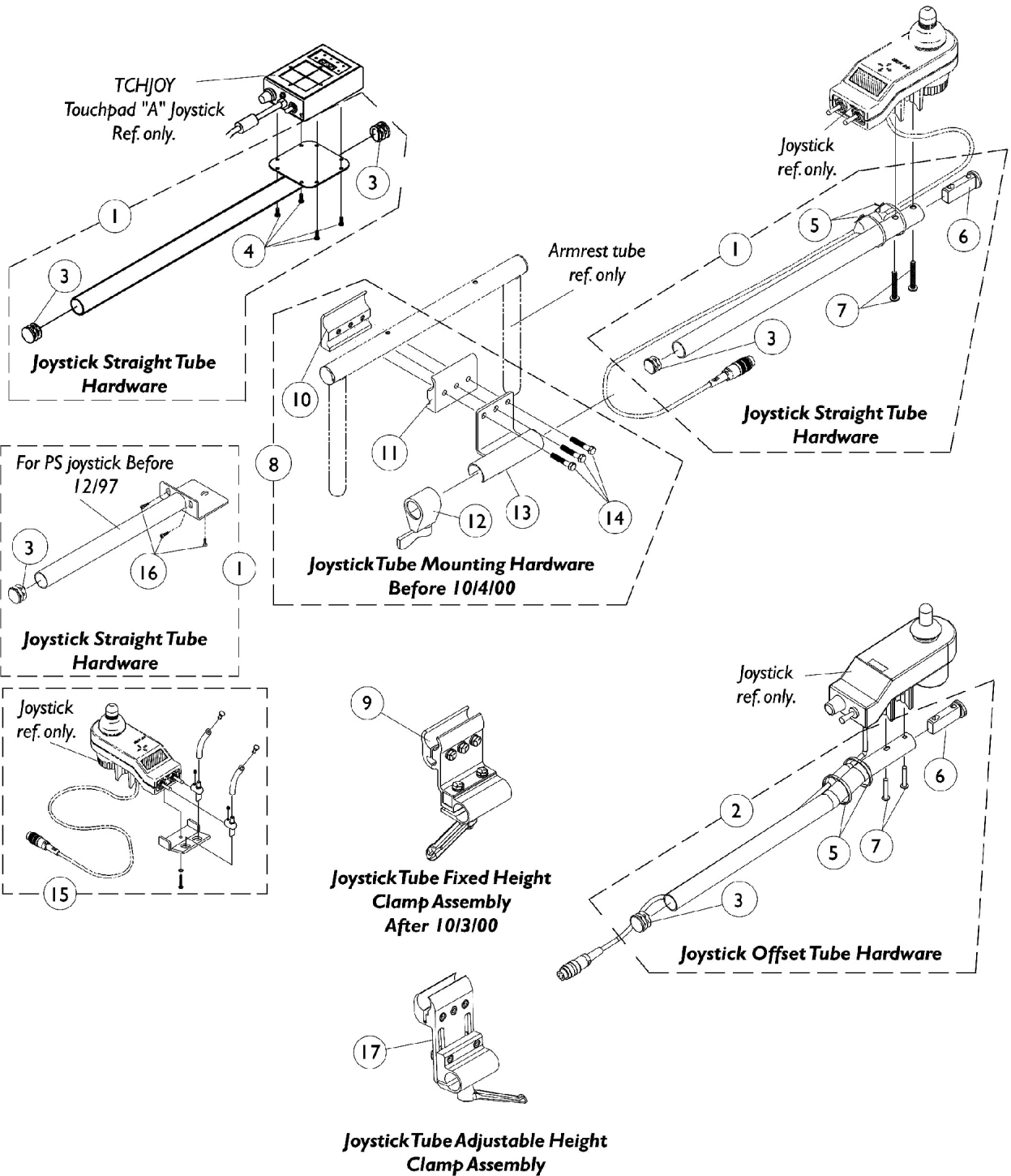


MKIV Joystick Mounting Hardware and Joystick Accessories



MKIV Joystick Mounting Hardware and Joystick Accessories

Item Number	Note	Part Number	Description	Quantity Per	
				Package	Assembly
1	J	1052719-NLA	NLA - Kit, Straight Joystick Tube with Hardware	1	1
1	C	1092604-NLA	NLA - Kit, Straight Joystick Tube with Hardware	1	1
1	D	1043568	Kit, Straight Joystick Tube with Hardware	1	1
2	A,A1,E	1093069	Kit, 1/2" Offset Joystick Tube with Hardware	1	1
3	F	1027095	Plug Button, Black (7/8")	1	1
4		1052041	Screw, Phillips Pan Head (#4-40 x 3/8")	1	1
5		1095502-NLA	NLA - Package, Tie Wrap (11-1/2" L)	10	2
6		1093063	Spacer, Joystick Tube, Black	1	1
7		1025714	Screw, Phillips Pan Head (#10-32 x 1-1/8")	1	1
8	G	1049591-NLA	NLA - Hardware, Joystick Tube Mounting	1	1
9	A,A1,H	1093071	Clamp, Fixed Height Joystick Tube	1	1
10		1027267-NLA	NLA - Half Clamp, Threaded Holes	1	1
11		1027266	Half Clamp, Non-Threaded Holes	1	1
12		1027274	Adjustment Lock Assembly, Black	1	1
13		1049582-NLA	NLA - Bracket, Joystick Mounting, Black	1	1
14		16690X004-NLA	NLA - Screw, Hex Head (1/4-20 x 1-1/8")	1	1
15		1055736-NLA	NLA - Kit, Toggle Switch Extension	1	1
16		1016401-NLA	NLA - Screw, Phillips Round Head (#10-32 x 3/8")	1	3
17		1139422	Clamp, Height Adjustable Joystick Tube (ARM250)	1	1
	I	1006270	Extension, Joystick, "T" Style (1560) (4" W x 5-1/2" L)	1	1
	I	1006271	Extension, Joystick, Straight Style (1561) (1/2" W x 5" L)	1	1

NOTE: A - The joystick straight tube changed to an offset joystick tube on 10/4/00. The joystick tube mounting hardware also changed to a new fixed height clamp assembly to allow an individual to use an
A1 - adjustment lever to securely hold the joystick tube in place. The fixed height joystick tube clamp can be used as a direct replacement in the field for the joystick tube mounting hardware part number 1049591 manufactured for chairs before 10/4/00.
C - Includes Items 3, 4, and mounts to a TCHJOY Touchpad "A" joystick
D - Includes Items 3, 5, 6, 7, and mounts to MKIV RII, RX, A, A+, PSF/PSR Joysticks Before 10/4/00
E - Includes Items 3, 5, 6, 7, and mounts to MKIV RII, RX, A, A+, PSF/PSR Joysticks After 10/3/00
F - Touchpad "A" Joystick-Takes 2
G - Includes Items 10-14 and used for PS, TCHJOY, and (RII, RX, A, A+, PSF/PSR joysticks Before 10/4/00)
H - Used for RII, RX, A, A+, PSF/PSR joysticks After 10/3/00
I - Not Shown
J - Includes Items 3, 16, and mounts to a PS joystick