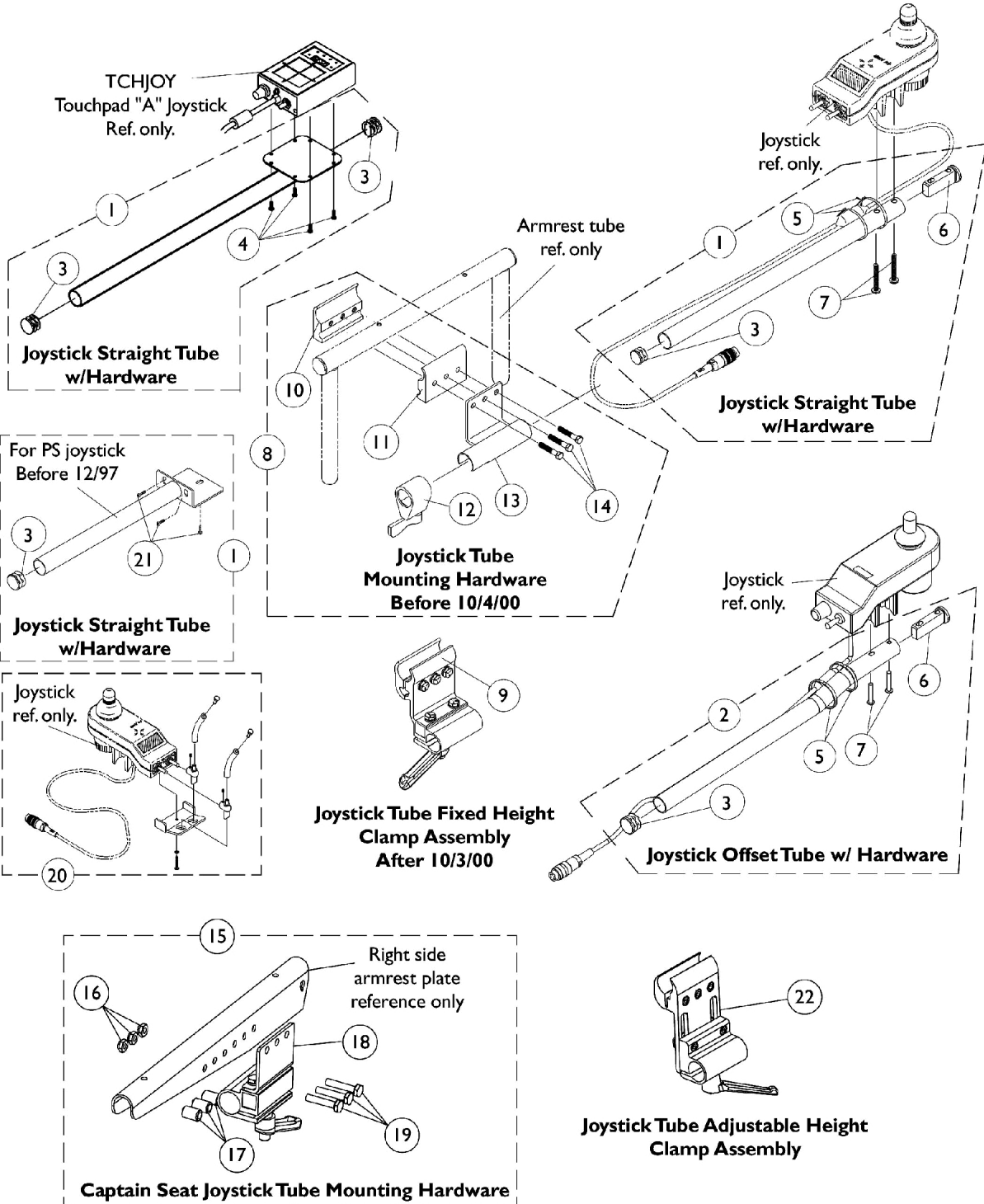


# MKIV Joystick Mounting Hardware and Joystick Accessories

NOTE: Captain Seat joystick tube mounting hardware adapts to the offset joystick tube and become standard on-chair after 10/3/00.



# MKIV Joystick Mounting Hardware and Joystick Accessories

**NOTE: Captain Seat joystick tube mounting hardware adapts to the offset joystick tube and become standard on-chair after 10/3/00.**

Item Number	Note	Part Number	Description	Quantity Per	
				Package	Assembly
1	A	1092604-NLA	NLA - Kit, Straight Joystick Tube with Hardware	1	1
1	B	1052719-NLA	NLA - Kit, Straight Joystick Tube with Hardware	1	1
1	C	1043568	Kit, Straight Joystick Tube with Hardware	1	1
2	D,D1,E	1093069	Kit, 1/2" Offset Joystick Tube with Hardware	1	1
3	F	1027095	Plug Button, Black (7/8")	1	1
4		1052041	Screw, Phillips Pan Head (#4-40 x 3/8")	1	4
5		1095502-NLA	NLA - Package, Tie Wrap (11-1/2" L)	10	1
6		1093063	Spacer, Joystick Tube, Black	1	1
7		1025714	Screw, Phillips Pan Head (#10-32 x 1-1/8")	1	2
8	G	1049591-NLA	NLA - Hardware, Joystick Tube Mounting	1	1
9	D,D1,H	1093071	Clamp, Fixed Height Joystick Tube	1	1
10		1027267-NLA	NLA - Half Clamp, Threaded Holes	1	1
11		1027266	Half Clamp, Non-Threaded Holes	1	1
12		1027274	Adjustment Lock Assembly, Black	1	1
13		1049582-NLA	NLA - Bracket, Joystick Mounting, Black	1	1
14		16690X004-NLA	NLA - Screw, Hex Head (1/4-20 x 1-1/8")	1	3
15	I	1105050-NLA	NLA - Kit, Joystick Tube Mounting Hardware - Captain/ Van Seat	1	1
16		1025195	Locknut (1/4-20)	1	3
17		1101524-NLA	NLA - Spacer (1/4 x 7/16 x 5/8")	1	3
18	I	1105049	Clamp Assembly, Fixed Height, Captain/ Van Seat	1	1
19		1057955	Screw, Hex Head (1/4-20 x 1-1/4")	1	1
20		1055736-NLA	NLA - Kit, Toggle Switch Extension	1	1
21		1016401-NLA	NLA - Screw, Phillips Round Head (#10-32 x 3/8")	1	3
22	K	1139422	Clamp, Height Adjustable Joystick Tube (ARM250)	1	1
	J	1006270	Extension, Joystick, "T" Style (1560) (4" W x 5-1/2" L)	1	1
	J	1006271	Extension, Joystick, Straight Style (1561) (1/2" W x 5" L)	1	1

**NOTE:** A - For TCHJOY Touch Pad "A" or TCPDM4 Touch Pad Joystick and includes the joystick tube, items 3 and 4  
 B - For PS joystick before 12/1/97 and includes the joystick tube, items 3 and 21  
 C - For MKIV RII, RX, A, A+, PSF/PSR joysticks before 10/4/00 and includes the joystick tube, items 3 and 5-7  
 D - The joystick straight tube changed to an offset joystick tube on 10/4/00. The joystick tube mounting hardware also changed to a new fixed height clamp assembly to allow an individual to use an  
 D1 - adjustment lever to securely hold the joystick tube in place. The fixed height joystick tube clamp can be used as a direct replacement in the field for the joystick tube mounting hardware part number 1049591 manufactured for chairs before 10/4/00.  
 E - For MKIV RII, RX, A, A+, PSF/PSR joysticks after 10/3/00 and includes the offset joystick tube, items 3 and 5-7  
 F - The Touch Pad joystick tube takes a quantity of 2 plug buttons  
 G - For (PS joystick before 12/1/97), TCHJOY and MKIV RII, RX, A, A+, PSF/PSR joystick before 10/4/00 and includes items 10-14  
 H - For MKIV RII, RX, A, A+, PSF/PSR joystick after 10/3/00. Individual components are non-saleable  
 I - Includes items 16-19. Due to product improvement, the joystick mounting bracket with a separate adjustment lock were replaced with the clamp assembly shown as of 2/20/03 and is backward compatible  
 J - Not Shown  
 K - Can be used to replace a Fixed Height Joystick Tube Clamp in the field.