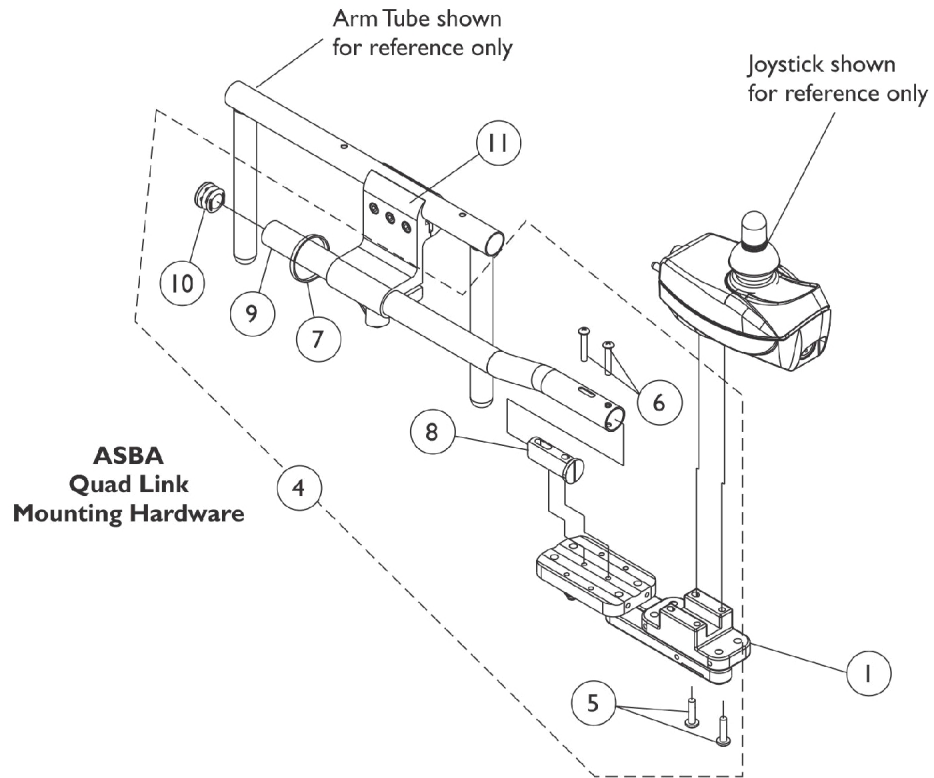


Quad Link Assembly (QL)

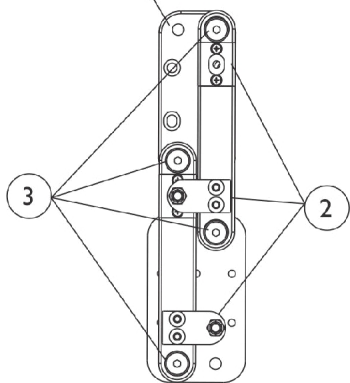
After 4/06/06

When converting an old style Quad Link that attaches to a mounting plate or (a Flex or Touch Pad Joystick Tube) is currently on the chair then order the following for ASBA Seat; Quad Link Mtg. Hdw. (item 4), Quad Link (item 1) & Ht. Adj. Joystick Tube Clamp (item 11)

NOTE: Substitute (item 4) with 2 ea. of the PPH Screws (item 5) when an offset joystick tube is currently on the chair.



SHEP_I64A



Screw Fastener and Quad Link Latch Hardware

Quad Link Assembly (QL)

After 4/06/06

When converting an old style Quad Link that attaches to a mounting plate or (a Flex or Touch Pad Joystick Tube) is currently on the chair then order the following for ASBA Seat; Quad Link Mtg. Hdw. (item 4), Quad Link (item 1) & Ht. Adj. Joystick Tube Clamp (item 11)

NOTE: Substitute (item 4) with 2 ea. of the PPH Screws (item 5) when an offset joystick tube is currently on the chair.

| Item Number | Note | Part Number | Description | Quantity Per | |
|--|------|-------------|---|--------------|----------|
| | | | | Package | Assembly |
| 1 | | 1140898 | Quad Link (QL) with Instruction Sheet - Right | 1 | 1 |
| 1 | | 1140899 | Quad Link (QL) with Instruction Sheet - Left | 1 | 1 |
| 2 | A | 1140425 | Kit, Quad Link Latch Hardware | 1 | 1 |
| 3 | B | 1140424-NLA | NLA - Kit, Quad Link Screw Fastener Hardware | 1 | 1 |
| 4 | C | 1142937 | Kit, ASBA/ADJASBA Quad Link Mounting Hardware | 1 | 1 |
| 5 | | | Screw, Phillips Pan Head w/ Patch (#10-32 x 3/4") | 1 | 2 |
| 6 | | | Screw, Phillips Pan Head (#10-32 x 1-1/8") | 1 | 2 |
| 7 | | | Tie Wrap (11-1/2" L) | 1 | 1 |
| 8 | | | Spacer, Joystick Tube, Black | 1 | 1 |
| 9 | | | Tube, Joystick Offset (2") | 1 | 1 |
| 10 | | | Plug Button, Black (7/8") | 1 | 1 |
| 5 | | 1105414 | Screw, Phillips Pan Head w/ Patch (#10-32 x 3/4") | 1 | 2 |
| 11 | | 1093071 | Clamp, Fixed Height Joystick Tube | 1 | 1 |
| | D | 1134844 | Instruction Sheet, Quad Link | 1 | 1 |
| <p>NOTE: A - Latch Kit includes 4 ea. Button Head Cap Screws (10-32 x 3/8"), 2 ea. Latch Spring Assembly, 4 ea. Phillips Flat C'Sunk Head Screws, 2 ea. Spring Catch Plates, 2 ea. Socket Head Set Screws (10-32 x 3/8") B - Screw Fastener Kit includes 4 ea. Socket Head Shoulder Screws (3/8 x 3/8"), 2 ea. Socket Head Cap Screws (1/4-20 x 3/8"), 2 ea. Socket Head Set Screws (1/4-20 x 1/2"), 4 ea. Socket Head Set Screws (10-32 x 1/8") C - Includes items 5-10. The Quad Link Mounting Hardware accommodates MKIV RII, and PSF/PSR joysticks. D - Not Shown</p> | | | | | |