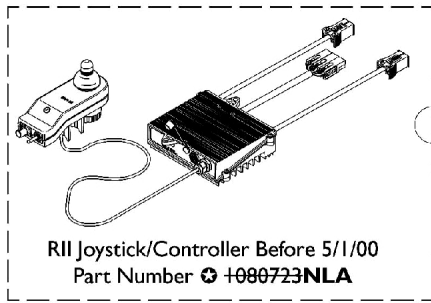
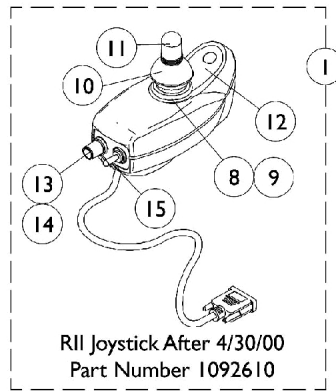


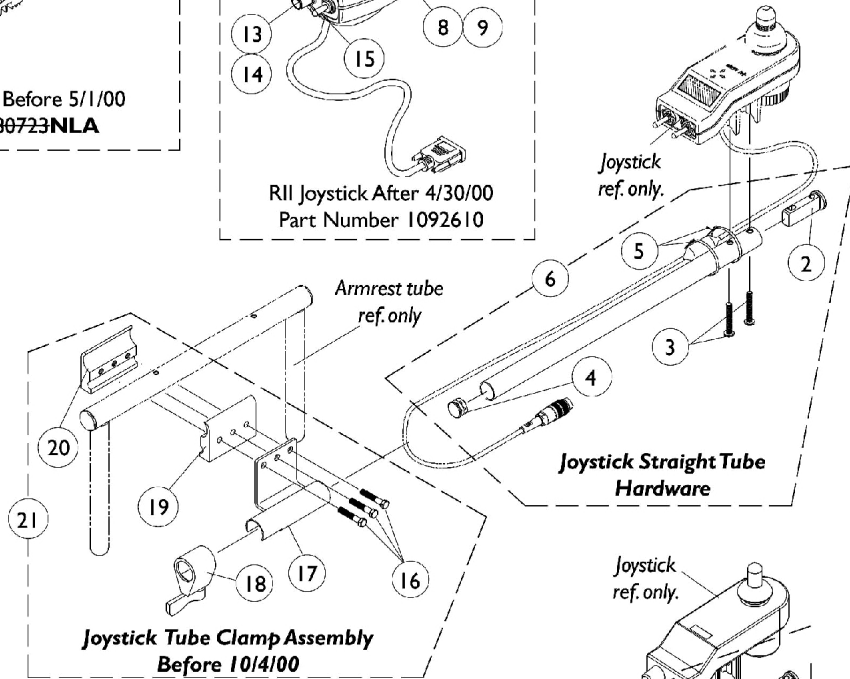
MKIV RII Joystick, Controller and Hardware



RII Joystick/Controller Before 5/1/00
Part Number +080723NLA

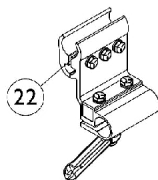


RII Joystick After 4/30/00
Part Number 1092610

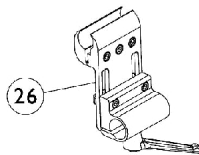


Joystick Straight Tube Hardware

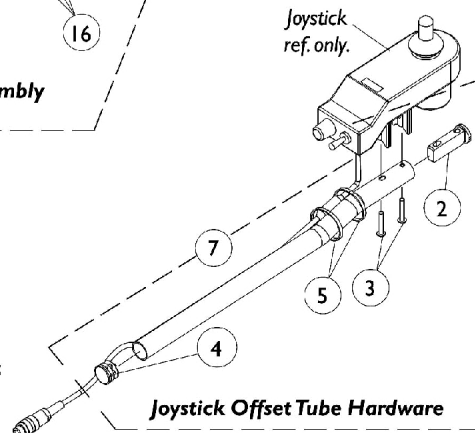
Joystick Tube Clamp Assembly
Before 10/4/00



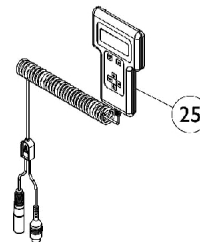
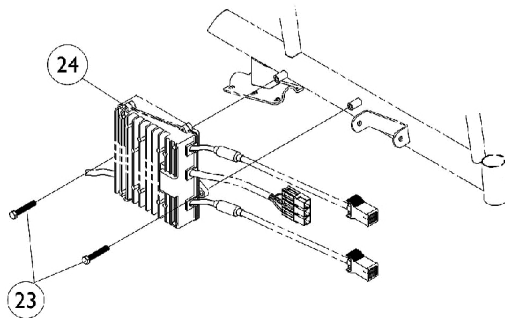
Joystick Tube Fixed Height
Clamp Assembly
After 10/3/00



Joystick Tube Adjustable Height
Clamp Assembly



Joystick Offset Tube Hardware



MKIV RII Joystick, Controller and Hardware

Item Number	Note	Part Number	Description	Quantity Per	
				Package	Assembly
1	B,C,A	1080723-NLA	NLA - Joystick/Controller, MKIV RII	1	1
1	D	1092610-NLA	NLA - Joystick, RII	1	1
2		1093063	Spacer, Joystick Tube, Black	1	1
3		7930327-NLA	NLA - Package, Screw, Phillips Pan Head (#10-32 x 1-1/8")	25	2
4		1027095	Plug Button, Black (7/8")	1	1
5		1095502-NLA	NLA - Package, Tie Wrap (11-1/2" L)	10	2
6	E	1043568	Kit, Straight Joystick Tube with Hardware	1	1
7	F,F1,O	1093069	Kit, 1/2" Offset Joystick Tube with Hardware	1	1
8		1036764-NLA	NLA - Inductive, Joystick	1	1
9		50000X364-NLA	NLA - Boot, Joystick	1	1
10		1040218	Skirt, Joystick Rubber, Black	1	1
11		1040217	Knob, Joystick Rubber, Black	1	1
12	A	1049692-NLA	NLA - Overlay, Joystick Decal	1	1
13		1025516-NLA	NLA - Knob, Speed Control	1	1
14		1040225-NLA	NLA - Potentiometer, Speed	1	1
15		1010042-NLA	NLA - Switch, Toggle SPDT	1	1
16		7930349-NLA	NLA - Screw, Hex Head (1/4-20 x 1-1/8")	25	3
17		1049582-NLA	NLA - Bracket, Joystick Mounting, Black	1	1
18		1027274	Adjustment Lock Assemnbly, Black	1	1
19		1027266	Half Clamp, Non-Threaded Holes	1	1
20		1027267-NLA	NLA - Half Clamp, Threaded Holes	1	1
21	E,H	1049591-NLA	NLA - Hardware, Joystick Tube Mounting	1	1
22	F,F1,O	1093071	Clamp, Fixed Height Joystick Tube	1	1
23		1088897-NLA	NLA - Screw, Hex Head w/ Patch (1/4-20 x 1-1/4")	1	2
24	I	1095269-NLA	NLA - Controller, MKIV RII, Retro	1	1
25	J	1109091-NLA	NLA - Programmer, Remote	1	1
26		1139422	Clamp, Height Adjustable Joystick Tube (ARM250)	1	1
	K,L	1064404-NLA	NLA - Virtual Service Modem Kit	1	1
	K,M	1091631-NLA	NLA - Virtual Service Software Kit	1	1
	K	1095204-NLA	NLA - Cable, Virtual Service, Charger/Modem	1	1
	K	1091980-NLA	NLA - Disk, 3.5 H.D. Floppy with V.S. Software	1	1
	K	1091637-NLA	NLA - Adaptor, Null Modem	1	1
	K	1091636-NLA	NLA - Service Manual - V.S. Software Kit	1	1
	K,N	1046117-NLA	NLA - Printer and Interface	1	1
	K	1026572-NLA	NLA - Paper, Printer	1	1
	K	1027280-NLA	NLA - Harness, Printer Wiring	1	1
	K	1058491-NLA	NLA - Connector Boot, Wire	1	1

MKIV RII Joystick, Controller and Hardware

- NOTE:
- A - Before 5/1/00
 - B - RII Retro controller after 4/30/00 and new RII joystick part # (1092610) serve as direct replacements for joystick/controller part #(1092610).
 - C - For chairs made before 5/1/00, the following must ordered: RII Joystick, part # (1092610), RII Retro Controller, part # (1095269) and Remote Programmer, part # (1109091).
 - D - After 4/30/00
 - E - Before 10/4/00
 - F - The joystick straight tube changed to an offset joystick tube on 10/4/00. The joystick tube mounting hardware also changed to a new fixed height clamp assembly to allow an individual to use an
 - F1 - adjustment lever to securely hold the joystick tube in place. The fixed height joystick tube clamp can be used as a direct replacement in the field for the joystick tube mounting hardware part number 1049591 manufactured for chairs before 10/4/00.
 - H - Includes items 16-20
 - I - After 4/30/00 RII retro controller part # (1095269) is sold separately from the joystick.
 - J - Remote programmers part # (1109091) with dual connectors (3-Pin and 5-Pin) is the only programmer functionable with the new RII joystick part # (1092610).
 - K - Not Shown
 - L - Part number 1095204 is available for individual sale
 - M - Part number 1091980, 1091637, 1091636 and 1095204 are available for individual sale
 - N - Part number 1026572 and 1027280 are available for individual sale
 - O - After 10/3/00