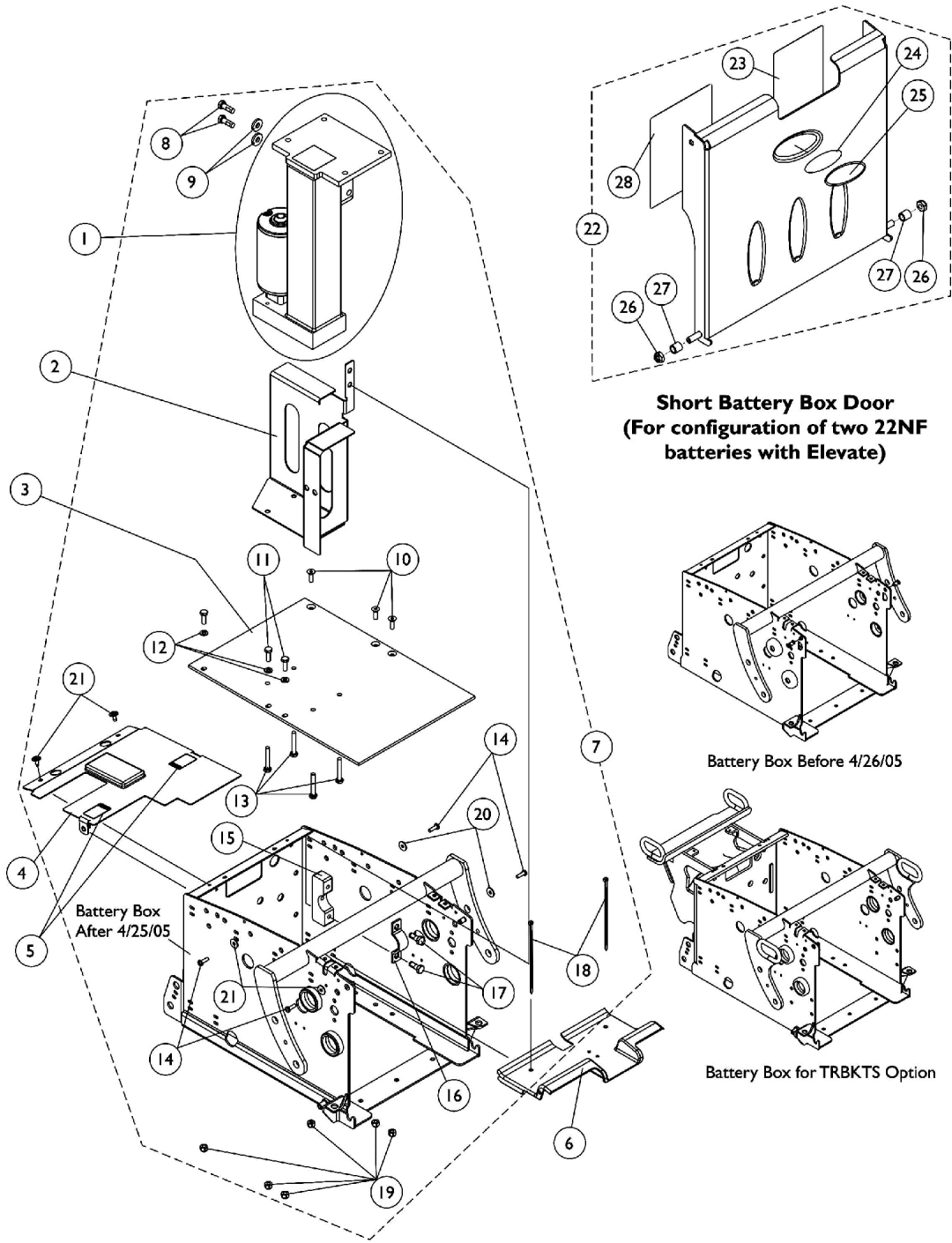


# Battery Box Hardware, Door Assembly, Elevate Actuator Motor Elevate

## For ASBA/ADJASBA, Conventional and Contoura Seating

The Battery Boxes are non-serviceable parts in the field. Wheelchair must be returned to Invacare for repair. Call Technical Services for assistance (1-800-832-4707)



# Battery Box Hardware, Door Assembly, Elevate Actuator Motor Elevate

## For ASBA/ADJASBA, Conventional and Contoura Seating

The Battery Boxes are non-serviceable parts in the field. Wheelchair must be returned to Invacare for repair. Call Technical Services for assistance (1-800-832-4707)

Item Number	Note	Part Number	Description	Quantity Per	
				Package	Assembly
1		1122258-NLA	NLA - Elevating Actuator Assembly	1	1
2		1124653-NLA	NLA - Bracket, Elevate, Black	1	1
3		1124670	Plate, Battery Box Bottom	1	1
4		1124721-NLA	NLA - Shroud w/ Decals, Elevate, Battery Box	1	1
5		1079203	Decal, Warning Pinch Point	1	2
6		1124668-NLA	NLA - Shroud, Front Battery Box	1	1
7	A	1125739	NLA - Kit, Battery Box Assembly Hardware Elevate	1	1
8			NLA - Screw, Hex Head w/ Patch (5/16-18 x 7/8")	1	2
9			Washer, Flat (21/64 x 53/64 x 7/64")	1	2
10			Screw, Socket Flat Head (1/4-20 x 3/4")	1	3
11			NLA - Bolt, Hex Head Cap (1/4-20 x 3/4")	1	3
12			Washer (1/4 x 1/2 x 1/16")	1	3
13			Screw, Hex Head (1/4-20 x 1-5/8")	1	4
14			Screw, Phillips Pan Head (#10-32 x 5/8")	1	4
15			NLA - Bracket, Upper Seat, Front, Black	1	1
16			NLA - Bracket, Lower Seat, Front, Black	1	1
17			Screw, Hex Head w/ Patch (5/16-18 x 3/4")	1	2
18			NLA - Package, Tie Wrap (5-5/8" L)	1	2
19			Locknut (1/4-20)	1	6
20			Washer, Flat (3/16 x 5/8 x 1/16")	1	4
21			Screw, Phillips Pan Head Tap (#10-32 x 1/2")	1	2
22	B,C	1125776	Kit, Battery Box Door Elevate Assembly, 22NF Short	1	1
23			NLA - Label, 22NF Terminal Configuration Warning	1	1
24			NLA - Decal, Blank Logo	1	1
25			NLA - Decal, Invacare Medallion - Large	1	1
26			Locknut (1/4-20)	1	2
27			NLA - Sleeve, Door Pivot	1	2
28			NLA - Decal, Warning, Battery Install	1	1

NOTE: A - Includes items 8-21  
 B - Includes items 23-28  
 C - Blank Logo Decal is no longer available and no longer required for item number 25 Invacare Medallion Decal.