

# Quad Link Assembly (QL)

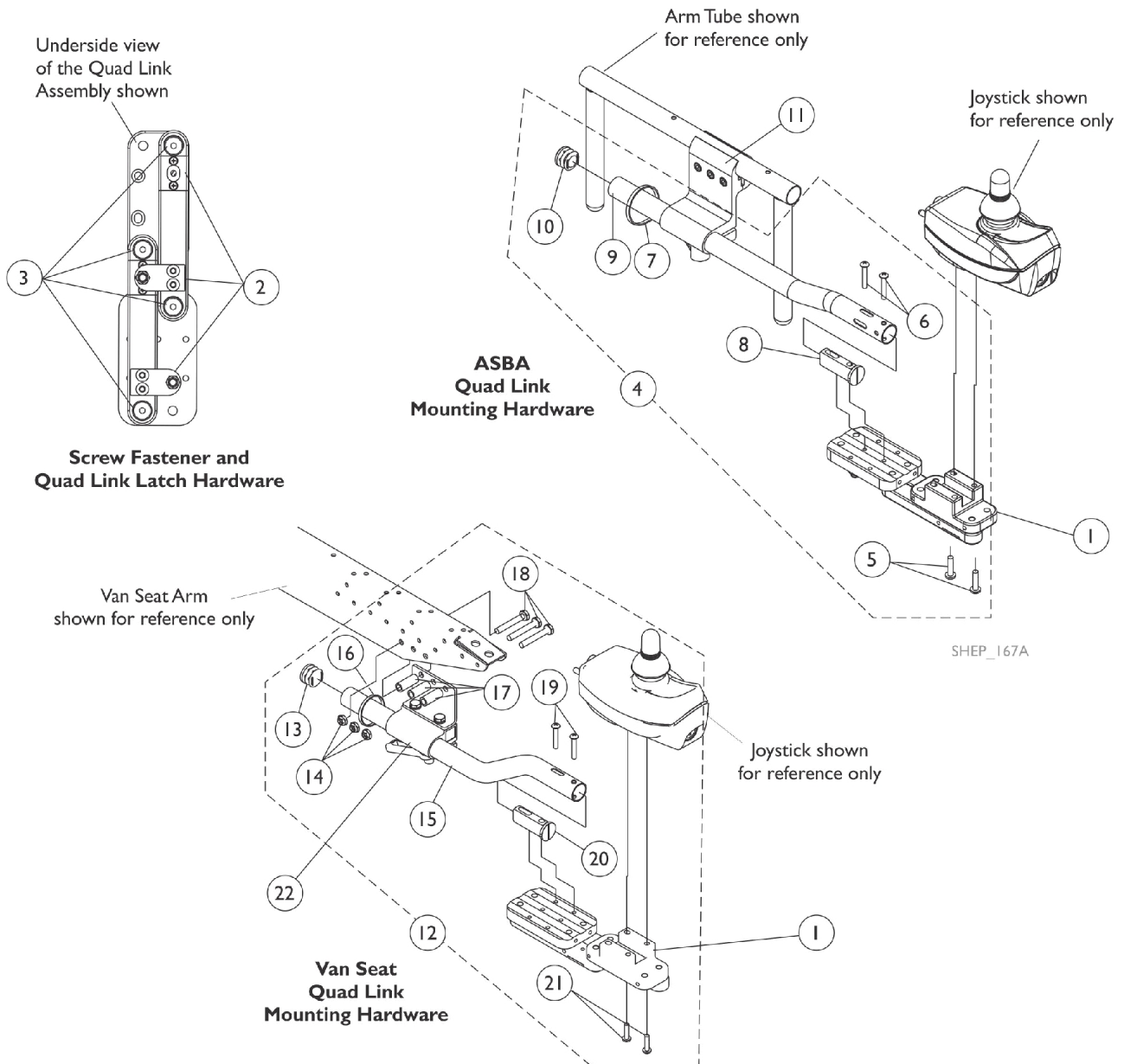
After 4/06/06

When converting an old style Quad Link that attaches to a mounting plate or (a Flex or Touch Pad Joystick Tube) is currently on the chair then order the following for:

a) ASBA Seat; Quad Link Mtg. Hdw. (item 4), Quad Link (item 1) & Ht. Adj. Joystick Tube Clamp (item 11)

b) Van Seat; Quad Link Mtg. Hdw. (item 12), Quad Link (item 1) & Joystick Tube Clamp (item 22)

**NOTE:** Substitute (item 4 & 12) with 2 ea. of the PPH Screws (item 5) when an offset joystick tube is currently on the chair.



# Quad Link Assembly (QL)

After 4/06/06

When converting an old style Quad Link that attaches to a mounting plate or (a Flex or Touch Pad Joystick Tube) is currently on the chair then order the following for:

a) ASBA Seat; Quad Link Mtg. Hdw. (item 4), Quad Link (item 1) & Ht. Adj. Joystick Tube Clamp (item 11)

b) Van Seat; Quad Link Mtg. Hdw. (item 12), Quad Link (item 1) & Joystick Tube Clamp (item 22)

NOTE: Substitute (item 4 & 12) with 2 ea. of the PPH Screws (item 5) when an offset joystick tube is currently on the chair.

Item Number	Note	Part Number	Description	Quantity Per	
				Package	Assembly
1		1140898	Quad Link (QL) with Instruction Sheet - Right	1	1
1		1140899	Quad Link (QL) with Instruction Sheet - Left	1	1
2	A	1140425	Kit, Quad Link Latch Hardware	1	1
3	B	1140424-NLA	NLA - Kit, Quad Link Screw Fastener Hardware	1	1
4	C	1142937	Kit, ASBA/ADJASBA Quad Link Mounting Hardware	1	1
5			Screw, Phillips Pan Head w/ Patch (#10-32 x 3/4")	1	2
6			Screw, Phillips Pan Head (#10-32 x 1-1/8")	1	2
7			Tie Wrap (11-1/2" L)	1	1
8			Spacer, Joystick Tube, Black	1	1
9			Tube, Joystick Offset (2")	1	1
10			Plug Button, Black (7/8")	1	1
5		1105414	Screw, Phillips Pan Head w/ Patch (#10-32 x 3/4")	1	2
11		1093071	Clamp, Fixed Height Joystick Tube	1	1
12	D,F,F1	1143042	Kit, Quad Link Mounting Hardware - Van Seat	1	1
13			Plug Button, Black (7/8")	1	1
14			Locknut (1/4-20)	1	3
15			Tube, Joystick Offset (2")	1	1
16			Tie Wrap (11-1/2" L)	1	1
17			Spacer (1/4 x 3/8 x 1")	1	3
18			Screw, Hex Head (1/4-20 x 1-5/8")	1	3
19			Screw, Phillips Pan Head (#10-32 x 1-1/8")	1	2
20			Spacer, Joystick Tube, Black	1	1
21			Screw, Phillips Pan Head w/ Patch (#10-32 x 3/4")	1	2
22		1139681	Clamp Assembly, Fixed Height, Captain/ Van Seat	1	1
	E	1134844	Instruction Sheet, Quad Link	1	1

NOTE: A - Latch Kit includes 4 ea. Button Head Cap Screws (10-32 x 3/8"), 2 ea. Latch Spring Assembly, 4 ea. Phillips Flat C/Sunk Head Screws, 2 ea. Spring Catch Plates, 2 ea. Socket Head Set Screws (10-32 x 3/8")  
 B - Screw Fastener Kit includes 4 ea. Socket Head Shoulder Screws (3/8 x 3/8"), 2 ea. Socket Head Cap Screws (1/4-20 x 3/8"), 2 ea. Socket Head Set Screws (1/4-20 x 1/2"), 4 ea. Socket Head Set Screws (10-32 x 1/8")  
 C - Includes items 5-10.  
 D - Includes items 13-21.  
 E - Not Shown  
 F - If Quad Link is to be mounted on chairs w/ van seats built Before 4/07/06, then a new Upper Arm Asbly. (adj. height) or complete Fixed Height Arm Asbly. must be ordered as well. See van seat arms category.  
 F1 - The new Arm Pads have 3 additional holes drilled in the armrest plate so that the quad link can be properly mounted.