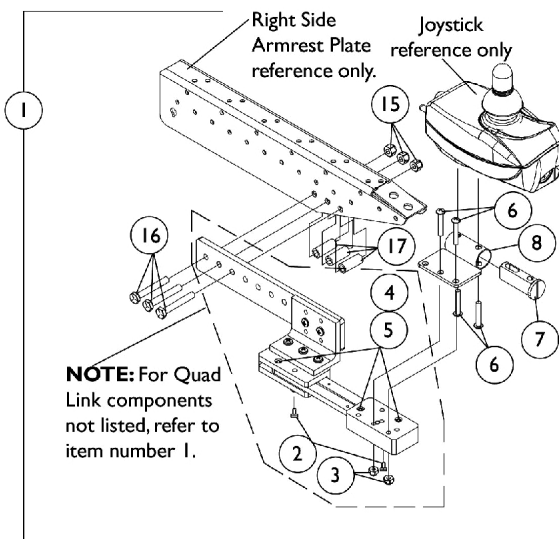
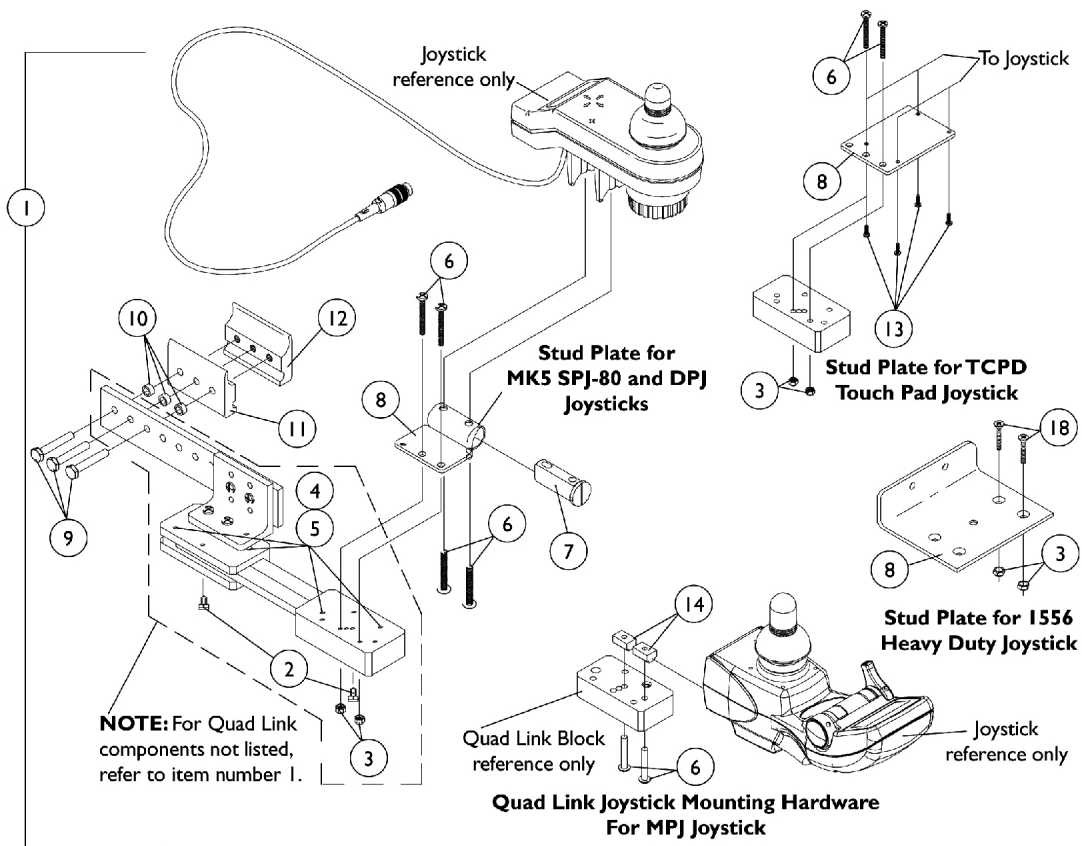


# Quad Link Assembly

## Before 4/07/06



## Quad Link Assembly Before 4/07/06

Item Number	Note	Part Number	Description	Quantity Per	
				Package	Assembly
1	A	1052402-NLA	NLA - Kit, Quad Link Assembly - Right	1	1
2			NLA - Ball Plunger Assembly with Lock Washer	2	1
3			Locknut (#10-32)	1	2
4			NLA - Screw, Cap, Socket Head (#10-32 x 1/2")	1	4
5			NLA - Bushing, Bronze (3/16 x 1/4 x 1/4")	1	4
6			Screw, Phillips Pan Head (#10-32 x 1-1/8")	1	4
7			Spacer, Joystick Tube, Black	1	1
8			NLA - Stud Plate, Quad Link	1	1
9			Screw, Hex Head (1/4-20 x 1-1/2")	1	3
10			NLA - Spacer (1/4 x 3/8 x 3/16")	1	3
11		Half Clamp, Non-Threaded Holes	1	1	
12		NLA - Half Clamp, Threaded Holes	1	1	
1	A	1115372-NLA	NLA - Kit, Quad Link Assembly - Left	1	1
2			NLA - Ball Plunger Assembly with Lock Washer	2	1
3			Locknut (#10-32)	1	2
4			NLA - Screw, Cap, Socket Head (#10-32 x 1/2")	1	4
5			NLA - Bushing, Bronze (3/16 x 1/4 x 1/4")	1	4
6			Screw, Phillips Pan Head (#10-32 x 1-1/8")	1	4
7			Spacer, Joystick Tube, Black	1	1
8			NLA - Stud Plate, Quad Link	1	1
9			Screw, Hex Head (1/4-20 x 1-1/2")	1	3
10			NLA - Spacer (1/4 x 3/8 x 3/16")	1	3
11		Half Clamp, Non-Threaded Holes	1	1	
12		NLA - Half Clamp, Threaded Holes	1	1	
1	B	1102027-NLA	NLA - Kit, Quad Link Assembly - Right For TCHJOY/TCPDM4 Touchpad	1	1
2			NLA - Ball Plunger Assembly with Lock Washer	2	1
3			Locknut (#10-32)	1	2
4			NLA - Screw, Cap, Socket Head (#10-32 x 1/2")	1	4
5			NLA - Bushing, Bronze (3/16 x 1/4 x 1/4")	1	4
6			Screw, Phillips Pan Head (#10-32 x 1-1/8")	1	2
8			NLA - Plate, Stud, Quad Link MKIV TCHJOY/TCPDM4	1	1
9			Screw, Hex Head (1/4-20 x 1-1/2")	1	3
10			NLA - Spacer (1/4 x 3/8 x 3/16")	1	3
11			Half Clamp, Non-Threaded Holes	1	1
12			NLA - Half Clamp, Threaded Holes	1	1
13			NLA - Screw, Phillips Flat Head Countersunk (#4-40 x 3/8")	1	4
1	C,F		1034703-NLA	NLA - Kit, Quad Link Assembly - Right	1
2		NLA - Ball Plunger Assembly with Lock Washer		2	1
3		Locknut (#10-32)		1	2
4		NLA - Screw, Cap, Socket Head (#10-32 x 1/2")		1	4
5		NLA - Bushing, Bronze (3/16 x 1/4 x 1/4")		1	4
8		Plate, Stud, Quad Link For 1556 Heavy Duty Joystick		1	1
9		Screw, Hex Head (1/4-20 x 1-1/2")		1	3

## Quad Link Assembly Before 4/07/06

Item Number	Note	Part Number	Description	Quantity Per	
				Package	Assembly
10			NLA - Spacer (1/4 x 3/8 x 3/16")	1	3
11			Half Clamp, Non-Threaded Holes	1	1
12			NLA - Half Clamp, Threaded Holes	1	1
18			Screw, Phillips Flat Head (#10-32 x 1-1/8")	1	2
1	C	1114866-NLA	NLA - Kit, Quad Link Assembly - Left	1	1
2			NLA - Ball Plunger Assembly with Lock Washer	2	1
3			Locknut (#10-32)	1	2
4			NLA - Screw, Cap, Socket Head (#10-32 x 1/2")	1	4
5			NLA - Bushing, Bronze (3/16 x 1/4 x 1/4")	1	4
8			Plate, Stud, Quad Link For 1556 Heavy Duty Joystick	1	1
9			Screw, Hex Head (1/4-20 x 1-1/2")	1	3
10			NLA - Spacer (1/4 x 3/8 x 3/16")	1	3
11			Half Clamp, Non-Threaded Holes	1	1
12			NLA - Half Clamp, Threaded Holes	1	1
18			Screw, Phillips Flat Head (#10-32 x 1-1/8")	1	2
1	D	1117278-NLA	NLA - Kit, Quad Link Assembly - Right	1	1
2			NLA - Ball Plunger Assembly with Lock Washer	2	1
3			Locknut (#10-32)	1	2
4			NLA - Screw, Cap, Socket Head (#10-32 x 1/2")	1	4
5			NLA - Bushing, Bronze (3/16 x 1/4 x 1/4")	1	4
6			Screw, Phillips Pan Head (#10-32 x 1-1/8")	1	2
9			Screw, Hex Head (1/4-20 x 1-1/2")	1	3
10			NLA - Spacer (1/4 x 3/8 x 3/16")	1	3
11			Half Clamp, Non-Threaded Holes	1	1
12			NLA - Half Clamp, Threaded Holes	1	1
14			NLA - T-Nut (#10-32)	1	2
1	D	1117239-NLA	NLA - Kit, Quad Link Assembly - Left	1	1
2			NLA - Ball Plunger Assembly with Lock Washer	2	1
3			Locknut (#10-32)	1	2
4			NLA - Screw, Cap, Socket Head (#10-32 x 1/2")	1	4
5			NLA - Bushing, Bronze (3/16 x 1/4 x 1/4")	1	4
6			Screw, Phillips Pan Head (#10-32 x 1-1/8")	1	2
9			Screw, Hex Head (1/4-20 x 1-1/2")	1	3
10			NLA - Spacer (1/4 x 3/8 x 3/16")	1	3
11			Half Clamp, Non-Threaded Holes	1	1
12			NLA - Half Clamp, Threaded Holes	1	1
14			NLA - T-Nut (#10-32)	1	2
1	E	1119215-NLA	NLA - Kit, Quad Link Assembly - Right For Van Seats	1	1
2			NLA - Ball Plunger Assembly with Lock Washer	2	1
3			Locknut (#10-32)	1	2
4			NLA - Screw, Cap, Socket Head (#10-32 x 1/2")	1	4
5			NLA - Bushing, Bronze (3/16 x 1/4 x 1/4")	1	4
6			Screw, Phillips Pan Head (#10-32 x 1-1/8")	1	4
7			Spacer, Joystick Tube, Black	1	1

## Quad Link Assembly Before 4/07/06

Item Number	Note	Part Number	Description	Quantity Per	
				Package	Assembly
8			NLA - Stud Plate, Quad Link	1	1
15			Locknut (1/4-20)	1	3
16			NLA - Screw, Hex Head (1/4-20 x 1-3/4")	1	3
17			Spacer (1/4 x 3/8 x 1")	1	3
1	E	1119216-NLA	NLA - Kit, Quad Link Assembly - Left For Van Seats	1	1
2			NLA - Ball Plunger Assembly with Lock Washer	2	1
3			Locknut (#10-32)	1	2
4			NLA - Screw, Cap, Socket Head (#10-32 x 1/2")	1	4
5			NLA - Bushing, Bronze (3/16 x 1/4 x 1/4")	1	4
6			Screw, Phillips Pan Head (#10-32 x 1-1/8")	1	4
7			Spacer, Joystick Tube, Black	1	1
8			NLA - Stud Plate, Quad Link	1	1
15			Locknut (1/4-20)	1	3
16			NLA - Screw, Hex Head (1/4-20 x 1-3/4")	1	3
17			Spacer (1/4 x 3/8 x 1")	1	3
<p>NOTE: A - Includes the Quad Link, items 2-12 and used with MK5 SPJ-80 and DPJ joysticks for A.S.B.A. seats.            B - Includes the Quad Link, items 2-6, 8-12, 13 and used with a TCPD joystick for A.S.B.A. seats. For left side mounted Quad Link, order as a special            C - Includes the Quad Link, items 2-6, 8-12, 18 and used with a 1556 Heavy Duty joystick for A.S.B.A. seats            D - Includes the Quad Link, items 2-6, 9-12, 14 and used with a MK5 MPJ joystick for A.S.B.A. seats            E - Includes the Quad Link, items 2-8, 15-17 and used with MK5 SPJ-80, DPJ joysticks for Van seats            F - Quad Link Assembly is no longer available. Please see Quad Link Assembly (After 4/06/06) category and use new Quad Link design as a replacement.</p>					