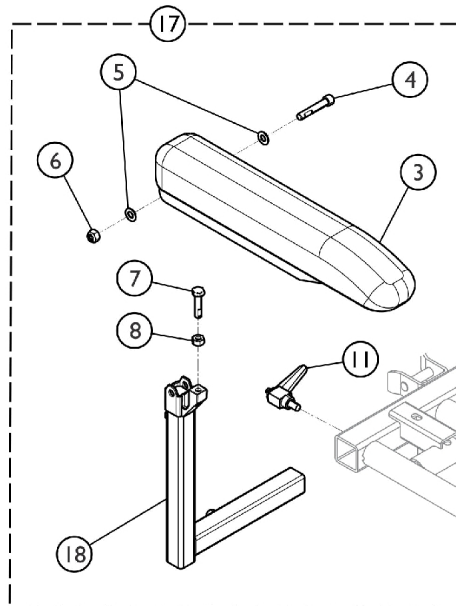
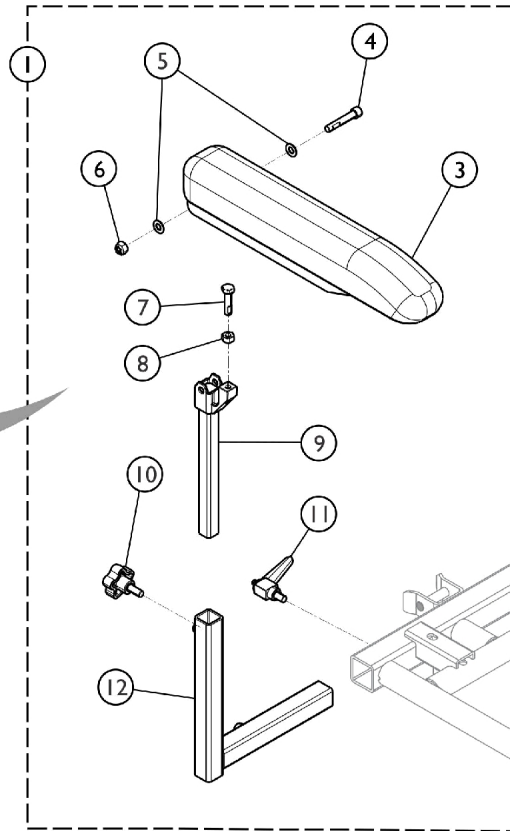
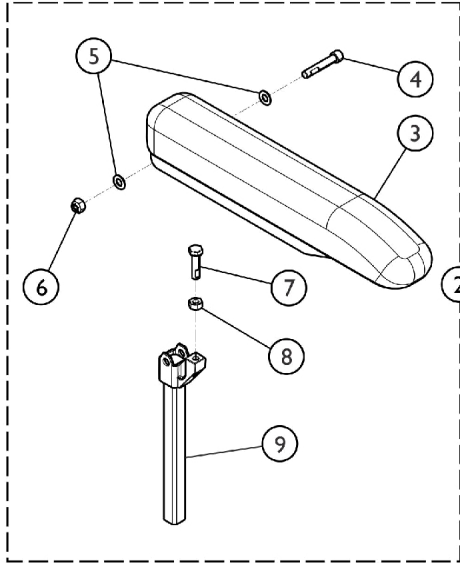


Arms - Van Seat

Adjustable Height Arm Assembly



**Fixed Height
Arm Assembly**

Arms - Van Seat

Item Number	Note	Part Number	Description	Quantity Per			
				Package	Assembly		
1	A	1142476	Arm Assembly, Adjustable Height Full Length, Black - Right	1	1		
1	A	1142477	Arm Assembly, Adjustable Height Full Length, Black - Left	1	1		
1	A	1142494	Arm Assembly, Adjustable Height Desk Length, Black - Right	1	1		
1	A	1142495	Arm Assembly, Adjustable Height Desk Length, Black - Left	1	1		
2	B	1142487	Upper Arm Assembly, Desk Length (Right/Left)	1	1		
3			Arm Pad, Desk Length, Black Urethane (12-1/4" L x 2-5/8" W)	1	1		
4			Screw, Socket Head w/ Patch (5/16-18 x 1-3/4")	1	1		
5			Washer, Flat (5/16 x 5/8 x 1/16")	1	2		
6			Locknut (5/16-18)	1	1		
7			Screw, Hex Head w/ Patch (5/16-18 x 1-1/4")	1	1		
8			NLA - Nut, Hex (5/16-18)	1	1		
9			Tube, Arm, Upper Adjustable Height, Black	1	1		
2			B	1140426	Upper Arm Assembly, Full Length (Right/Left)	1	1
3					Arm Pad, Full Length, Urethane, Black (15" L x 2-5/8" W)	1	1
4					Screw, Socket Head w/ Patch (5/16-18 x 1-3/4")	1	1
5					Washer, Flat (5/16 x 5/8 x 1/16")	1	2
6					Locknut (5/16-18)	1	1
7	Screw, Hex Head w/ Patch (5/16-18 x 1-1/4")	1			1		
8	NLA - Nut, Hex (5/16-18)	1			1		
9	Tube, Arm, Upper Adjustable Height, Black	1			1		
3	1139923	Arm Pad, Desk Length, Black Urethane (12-1/4" L x 2-5/8" W)			1	1	
3	1139924	Arm Pad, Full Length, Urethane, Black (15" L x 2-5/8" W)			1	1	
10	1114910	Knob, Adjustment, Black (5/16-18 x 3/4")			1	1	
11	1114914	Handle, Release, Black (5/16-18 x 1/2")			1	1	
12	1113646	Tube, Arm, Lower Adjustable Width, Black - Right			1	1	
12	1113647	Tube, Arm, Lower Adjustable Width, Black - Left	1	1			
17	C	1142485	Arm Assembly, Fixed Height Full Length, Black - Right	1	1		
17	C	1142484	Arm Assembly, Fixed Height Full Length, Black - Left	1	1		
17	C	1142490	Arm Assembly, Fixed Height Desk Length, Black - Right	1	1		
17	C	1142491	Arm Assembly, Fixed Height Desk Length, Black - Left	1	1		
18		1114359-NLA	NLA - Tube, Arm, Fixed Height, Black - Right	1	1		
18		1114797-NLA	NLA - Tube, Arm, Fixed Height, Black - Left	1	1		

NOTE: A - Includes items 2 - 12.
 B - Includes items 3 - 9.
 C - Includes items 3 - 8, 11, and item 18.