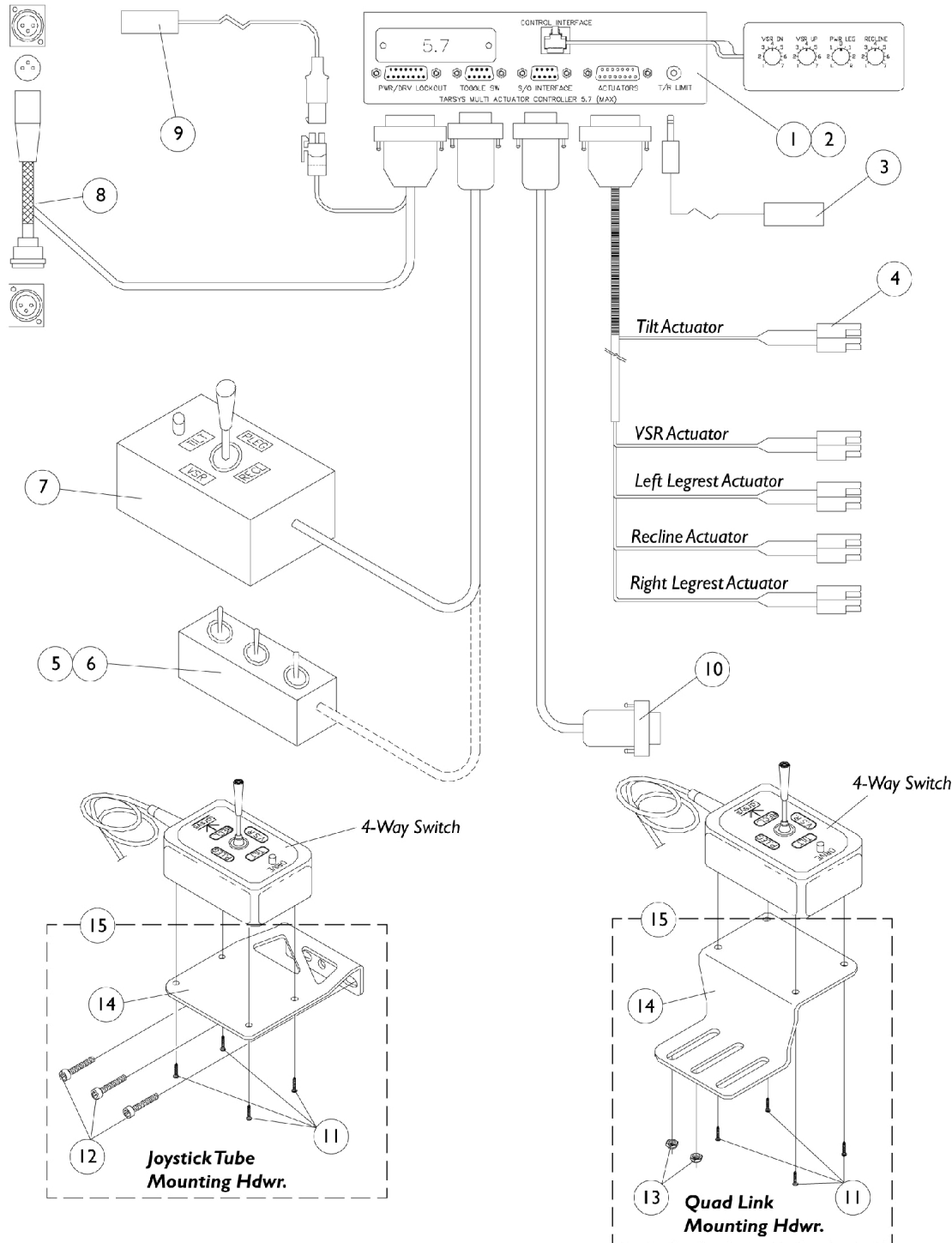


MAX Controller 5.7 S/N start at TE4000 & 4-Way Switch Tilt Only



MAX Controller 5.7 S/N start at TE4000 & 4-Way Switch Tilt Only

Item Number	Note	Part Number	Description	Quantity Per	
				Package	Assembly
1	E,F	0282700-NLA 1081573	NLA - Controller, MAX (5.7) Controller, MAX 5.7 (For Upgrade Kit Only)	1 1	1 1
2	A	0051406-NLA	NLA - Screw, Machine, Hex Socket, Flat Head (1/4 x 1-3/4")	1	2
2	A	0050406	Washer, Flat (1/4 x 5/8 x 1/16")	1	2
2	A	7930333	Locknut (1/4-20)	1	2
2	A	0233222-NLA	NLA - Spacer, Plastic	1	2
2	A	0296500-NLA	NLA - Bag, MAX Controller (5.7)	1	1
2	B	0258006-NLA	NLA - Screw, Socket Head, Cap, Button (1/4-20 x 5/8")	1	2
2	B	1007453	Lockwasher, Split (1/4")	1	2
2	B	0296500-NLA	NLA - Bag, MAX Controller (5.7)	1	1
2	C	1024793-NLA	NLA - Screw, Hex Head (1/4-20 x 1-3/4")	1	2
2	C	0053200	Rivnut (1/4-20 x 11/16")	1	2
2	C	1007453	Lockwasher, Split (1/4")	1	2
2	C	0233222-NLA	NLA - Spacer, Plastic	1	2
2	C	0296500-NLA	NLA - Bag, MAX Controller (5.7)	1	1
3	D	0018500-NLA	NLA - Switch, Limit	1	1
4		0278600-NLA	NLA - Harness, Actuator	1	1
5		0038100-NLA	NLA - Box, Switch, Triple	1	1
5		0037900-NLA	NLA - Box, Switch, Double	1	1
5		0038000	Box, Switch, Single	1	1
6		1077304	Dual Lock, Male/ Female Adhesive Back (1" x 3")	1	1
7		0279800-NLA	NLA - Box, Four Way Switch	1	1
8		0278900-NLA	NLA - Harness, Power, Storm, Round Plug	1	1
9		0018600-NLA	NLA - Switch, Limit - Molex Style	1	1
10		0200300-NLA	NLA - Cable, Interface, Power Legs Combined	1	1
10		0015000	Cable, Interface, Power Legs Independent (1 or 2 Functions)	1	1
10		0014800	Cable, Interface, Invacare R.I.M. Control	1	1
10		0015400-NLA	NLA - Cable, Interface, Peachtree Power Legs Combined	1	1
11		1072695-NLA	NLA - Screw, Phillips Pan Head Tap (#6 x 1/2")	1	4
12		7930304-NLA	NLA - Screw, Socket Head (1/4-20 x 1-1/4")	25	3
13		317601-NLA	NLA - Locknut, Low Profile (#10-32)	1	2
14	H	0194602-NLA	NLA - Plate, Joystick Tube Mounting	1	1
14	G	0212002-NLA	NLA - Plate, Quad Link Mounting	1	1
15	H	1077266-NLA	NLA - Mounting Plate Assembly, Joystick Tube	1	1
15	G	1077267	Mounting Plate Assembly, Quad Link	1	1

NOTE: A - Curved A.B.S. Back (Tilt System)
 B - Profile Back (Tilt System)
 C - Back Canes Only (Tilt System)
 D - Tilt and Recline
 E - Max Controller 5.7 is used only when the power and actuator "Adaptor Cables" are present.
 F - Not Shown
 G - Use with Quad Link before 4/07/06
 H - Use with Joystick Tube and Quad Link (QLA) after 4/06/06