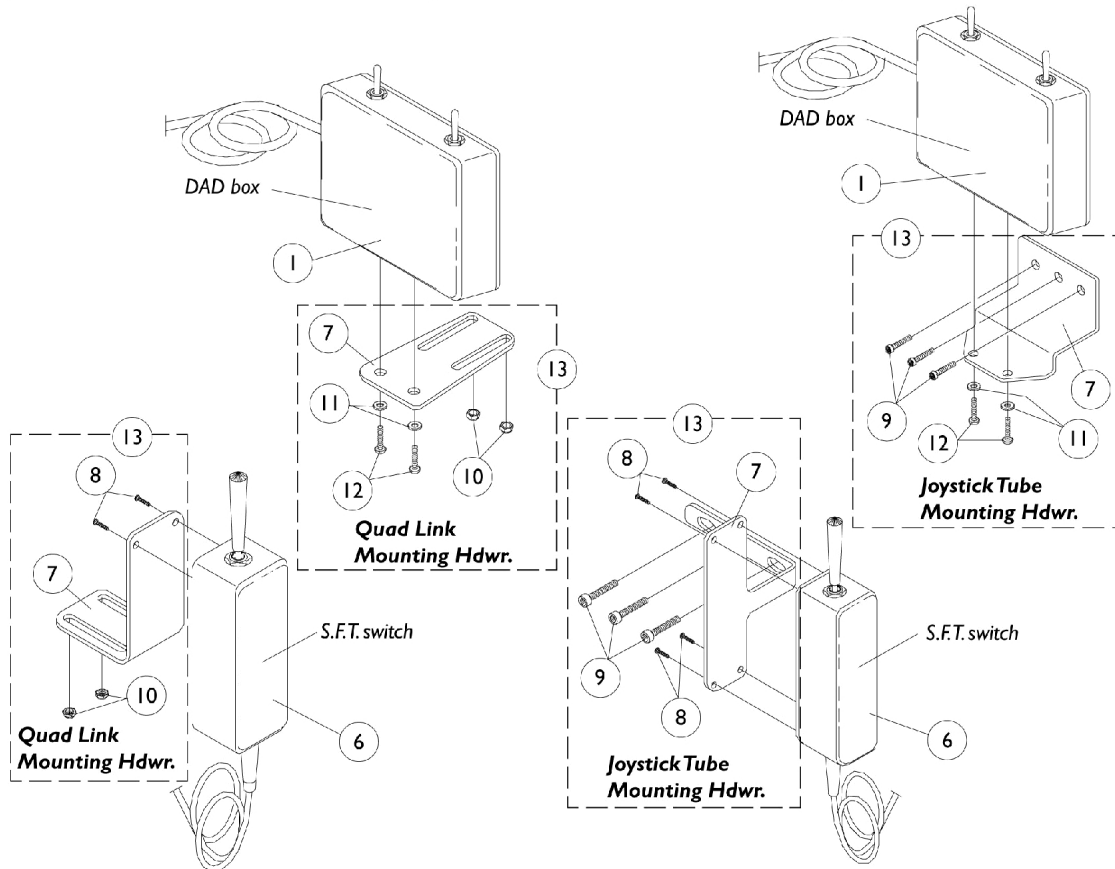
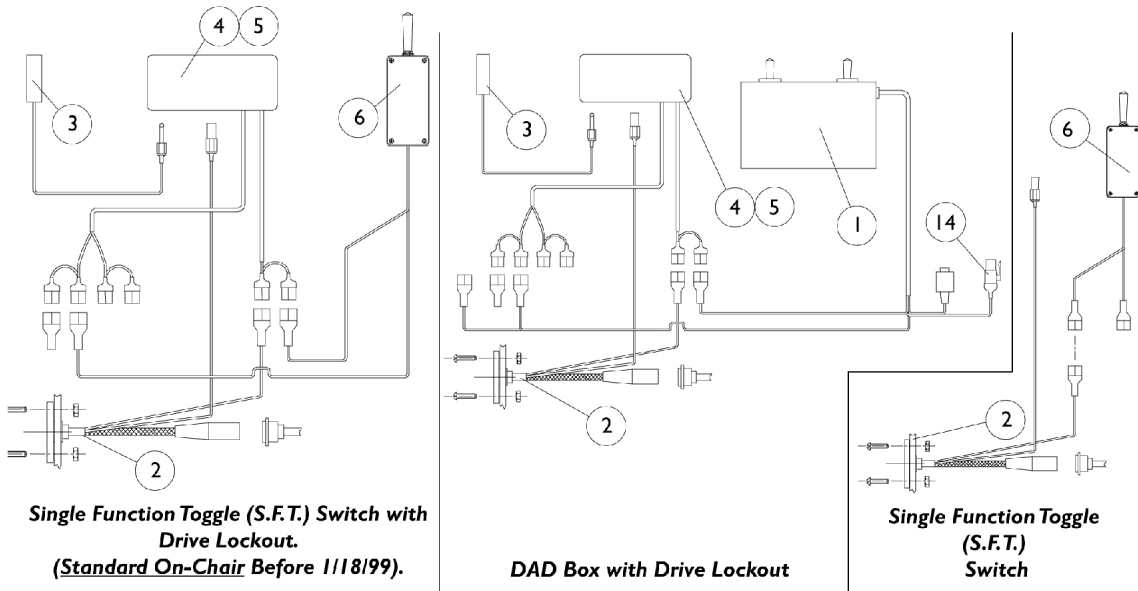


# S.F.T. Switch w/ Drive Lockout & DAD Box (Before 1/18/99)

## Basic Recline (4XP)



# S.F.T. Switch w/ Drive Lockout & DAD Box (Before 1/18/99)

## Basic Recline (4XP)

Item Number	Note	Part Number	Description	Quantity Per	
				Package	Assembly
1		0012600-NLA	NLA - D.A.D. Box with Recline Harness	1	1
2		0227700-NLA	NLA - Harness, Power, Storm	1	1
3	G	0018500-NLA	NLA - Switch, Limit	1	1
4	K	See Note	See Footnote	1	1
5		1077304	Dual Lock, Male/ Female Adhesive Back (1" x 3")	1	1
6	A	0037400-NLA	NLA - Switch, S.F.T.	1	1
7	J	0224202-NLA	NLA - Plate, S.F.T. Switch, Joystick Tube Mounting	1	1
7	I	0224702	Plate, S.F.T. Switch, Quad Link Mounting	1	1
7	J	0225402-NLA	NLA - Plate, D.A.D. Box, Joystick Tube Mounting	1	1
7	I	0225602	Plate, D.A.D. Box, Quad Link Mounting	1	1
8	C	313329-NLA	NLA - Screw, Phillips Pan Head (#6-32 x 1/2")	1	1
9		7930304-NLA	NLA - Screw, Socket Head (1/4-20 x 1-1/4")	25	3
10		317601-NLA	NLA - Locknut, Low Profile (#10-32)	1	2
11		0224806-NLA	NLA - Washer (#10)	1	2
12		0067106-NLA	NLA - Screw, Phillips Pan Head (#10-32 x 1/2")	1	2
13	J	1077270-NLA	NLA - Mounting Plate Assembly, S.F.T. Switch, Joystick Tube	1	1
13	I	1077271-NLA	NLA - Mounting Plate Assembly, S.F.T. Switch, Quad Link	1	1
13	J	1077268	Mounting Plate Assembly, D.A.D. Box, Joystick Tube	1	1
13	I	1077269	Mounting Plate Assembly, D.A.D. Box, Quad Link	1	1
14		0238800-NLA	NLA - Switch, Limit Override (DAD Box)	1	1
	D,H	0014800	Cable, Interface, Invacare R.I.M. Control	1	1
	D,H	0200300-NLA	NLA - Cable, Interface, Power Legs Combined	1	1
	D,E	0190000-NLA	NLA - 4XP DAD Relay Controller Upgrade Assembly	1	1
	D,F	1084173-NLA	NLA - 4XP DAD Relay Controller Upgrade Assembly	1	1
	B,D	1084706	Package, Decals, D.A.D. Relay Controller Upgrade	5	1

NOTE: A - Old Style S.F.T. switch doesn't have the drive lockout feature built in.  
 B - Decal package is supplied in all upgrade kits and covers all systems. Decals not sold separately. Decals are labeled "Tilt," "Recline," "Drive Lockout," "PLeg" and "Caution While Propelling."  
 C - Joystick Tube Mounting Plate uses 4 each per assembly and the Quad Link Mounting Plate uses 2 each per assembly. Both use 1 each quantity per package.  
 D - Not Shown.  
 E - Before 1/18/99 (Includes items 1, 7, 9-12 and 14)  
 F - After 1/17/99 (Includes items 1-5, 7, 9-12 and 14)  
 G - Drive Lockout  
 H - DAD Box Only  
 I - Use with Quad Link before 4/07/06  
 J - Use with Joystick Tube and Quad Link (QLA) after 4/06/06  
 K - Part is no longer serviceable in the field.