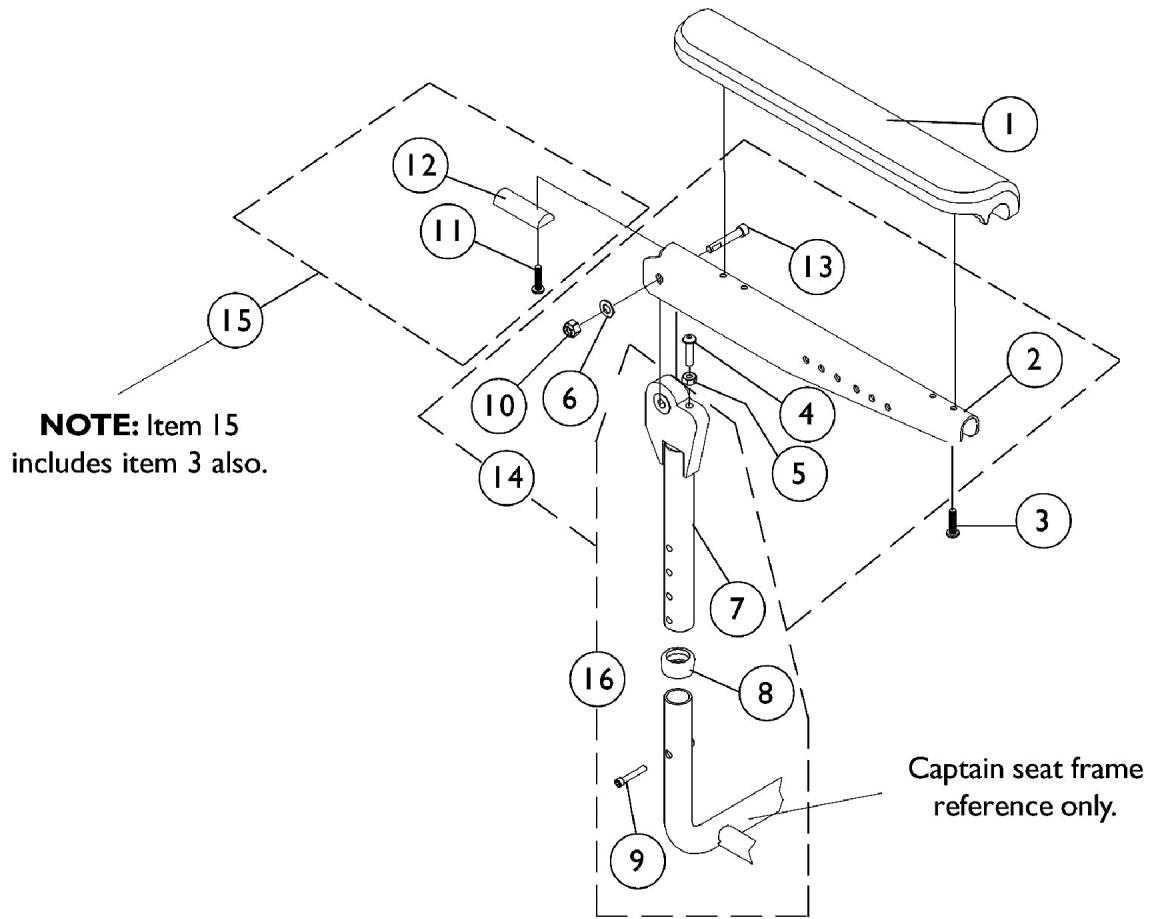


Captain Seat Arms and Hardware

20" and 22" Wide Models



Captain Seat Arms and Hardware 20" and 22" Wide Models

Item Number	Note	Part Number	Description	Quantity Per	
				Package	Assembly
1	A,E	1117328	Kit, Arm Pad w/ Screws, Full Length, Urethane Waterfall, Black (13" L x 2-5/8" W)	1	2
2		1101912-NLA	NLA - Plate, Armrest	1	2
3		1028755	Screw, Phillips Pan Head (#10-32 x 5/8")	1	2
4		1009837	Screw, Socket Button Head (1/4-20 x 1")	1	2
5		1025711-NLA	NLA - Nut, Hex (1/4-20)	1	2
6		1025704	Washer, Flat (5/16 x 5/8 x 1/16")	1	2
7		1101914-NLA	NLA - Tube, Arm, Upper Adjustable, Black	1	2
8		1101110-NLA	NLA - Anti-Rattle	1	2
9		1038379	Screw, Socket Head Cap w/ Patch (1/4-20 x 1-1/2")	1	2
10		1026906-NLA	NLA - Locknut (5/16-24)	1	2
11		1102546-NLA	NLA - Screw, Phillips Pan Head (#10-32 x 7/8")	1	2
12		1101634-NLA	NLA - Insert, Armrest, Black	1	2
13		1031026	Screw w/ Lug (5/16-24 x 1-3/8")	1	2
14	B	1101917-NLA	NLA - Hardware, Armrest Attaching (Pair)	2	1
15	C	1101916-NLA	NLA - Hardware, Arm Pad Attaching (Pair)	2	1
16	D	1101915-NLA	NLA - Arm Tube Assembly, Upper Adjustable (Pair)	2	1

NOTE: A - As of 1/3/02 upholstered waterfall armpads were replaced with black urethane waterfall armpads. Order in pairs for chairs manufactured before 1/3/02.
B - Includes items 2, 4, 5, 6, 10, 13
C - Includes items 3, 11, 12
D - Includes items 7-9
E - After 7/9/07 Invacare recommends ordering armpads in pairs to assure uniform appearance on chair