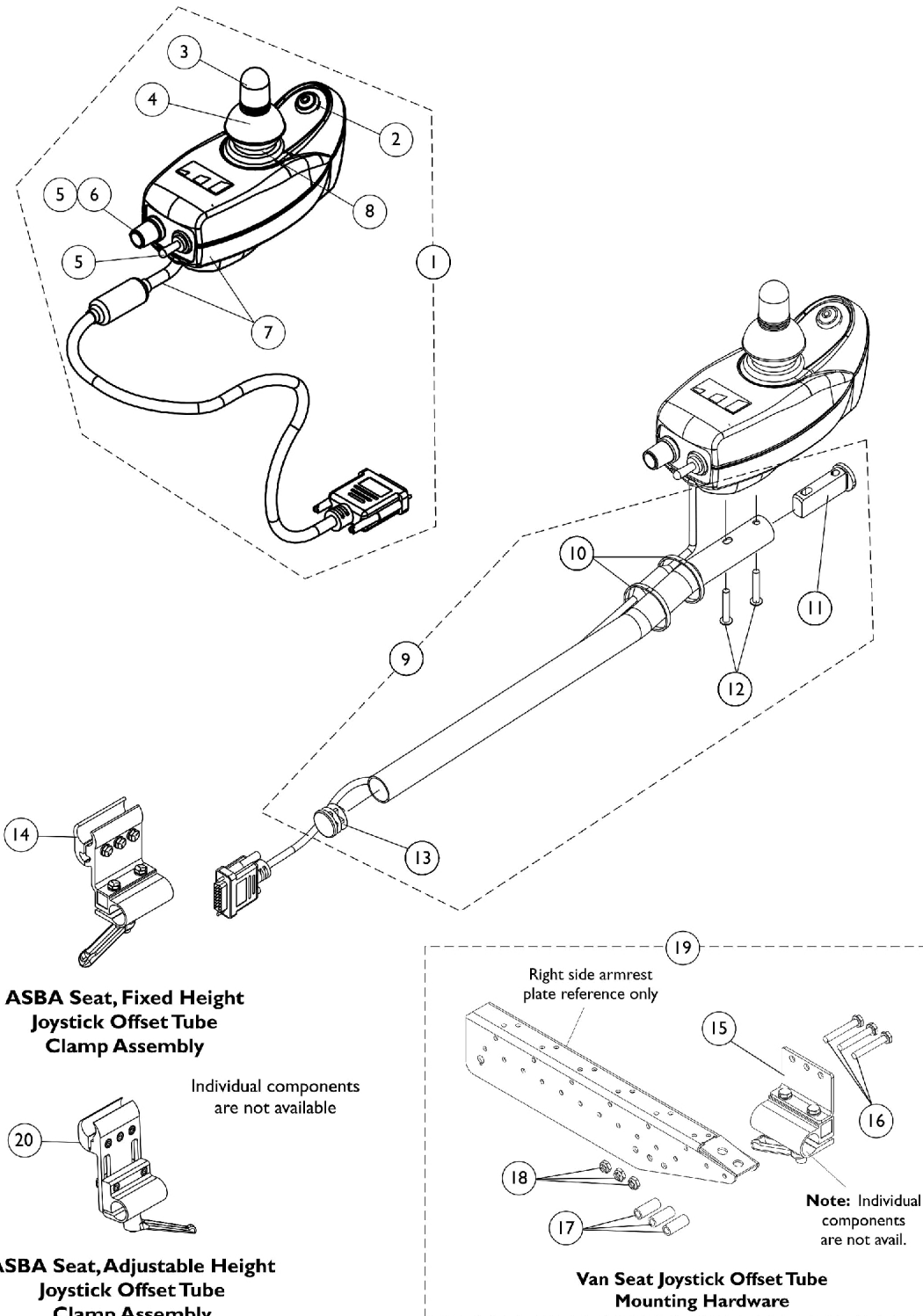


MK5 DPJ Joystick and Mounting Hardware

Introduced 2/1/04



MK5 DPJ Joystick and Mounting Hardware

Introduced 2/1/04

Item Number	Note	Part Number	Description	Quantity Per		
				Package	Assembly	
1	A,G D,H	1112980E-NLA	NLA - WARR RPLMT - Joystick, MK5 DPJ	1	1	
		1165489-NLA	NLA - Kit, MK5 DPJ to MPJ Conversion	1	1	
			NLA - Joystick, MK5 MPJ	1	1	
			NLA - Joystick Offset Tube w/ Hardware, Black (1/2")	1	1	
2	F	1119441-NLA	NLA - Switch Assembly, Mode	1	1	
3		1040217	Knob, Joystick Rubber, Black	1	1	
4		1040218	Skirt, Joystick Rubber, Black	1	1	
5		1025516-NLA	NLA - Knob, Speed Control	1	1	
6		1119440-NLA	NLA - Switch Assembly, Power/ Drive Select/Speed Potentiometer NOTE:Power/Drive Select and Speed Potentiometer switches are assembled to one connector and sold as one assembly	1	1	
		1119443-NLA	NLA - Bottom Housing w/ Cable Assembly, MK5 DPJ/ SPJ-80	1	1	
8	B	1115235-NLA	NLA - Inductive, MK5 MPJ/ DPJ/ SPJ-80 Joystick	1	1	
9		1093069	Kit, 1/2" Offset Joystick Tube with Hardware	1	1	
10		1095502-NLA	NLA - Package, Tie Wrap (11-1/2" L)	10	2	
11		1093063	Spacer, Joystick Tube, Black	1	1	
12		1025714	Screw, Phillips Pan Head (#10-32 x 1-1/8")	1	2	
13		1027095	Plug Button, Black (7/8")	1	1	
14		1093071	Clamp, Fixed Height Joystick Tube	1	1	
15		1105049	Clamp Assembly, Fixed Height, Captain/ Van Seat	1	1	
16		1037610	Screw, Hex Head (1/4-20 x 1-5/8")	1	3	
17		1087219	Spacer (1/4 x 3/8 x 1")	1	3	
18	1025195	Locknut (1/4-20)	1	3		
19	C	1115000	Kit, Joystick Tube Mounting Hardware - Captain Seat	1	1	
20		E	1139422	Clamp, Height Adjustable Joystick Tube (ARM250)	1	1
		D	1006270	Extension, Joystick, "T" Style (1560) (4" W x 5-1/2" L)	1	1
	D	1006271	Extension, Joystick, Straight Style (1561) (1/2" W x 5" L)	1	1	

NOTE: A - Includes items 2-8. Does not include mounting hardware.
 B - Includes items 10-13.
 C - Includes items 15-18.
 D - Not Shown.
 E - Introduced as an option (ARM250) and can be used to replace a Fixed Height Joystick Clamp.
 F - Mode switch is no longer available for aftermarket sales. Please contact Invacare Customer Service to obtain a return authorization number for repair/estimate for repair.
 G - No longer available. Replaced with 1165489.
 H - Kit is No Longer Available. You must now order the MK5 MPJ Joystick separately from the Mounting Hardware. Choose either the Joystick Tube w/ Hardware or the Quad Link w/ Hardware. See Category titled, "Electronics - MK5 MPJ Joystick & Mounting Hardware".