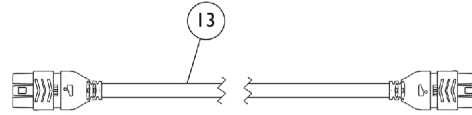
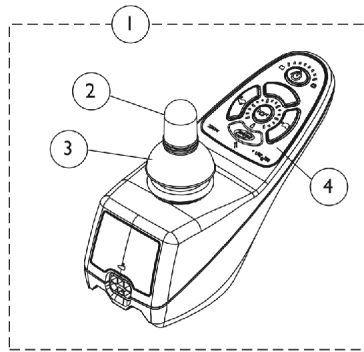
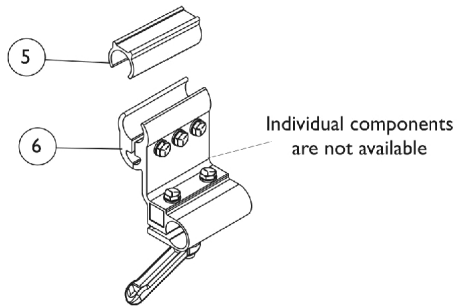


MK5 SPJ+ Joystick and Mounting Hardware

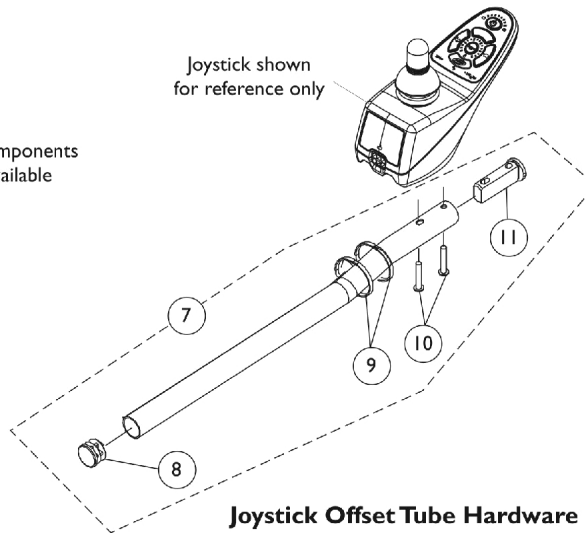
Introduced 8/16/05



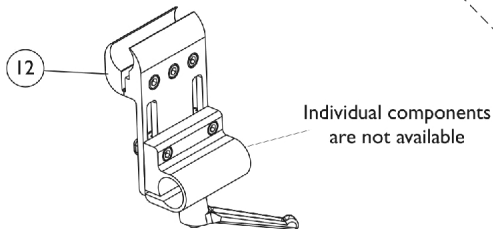
Joystick Cable



**Fixed Height
Joystick Offset Tube
Clamp Assembly**



Joystick Offset Tube Hardware



**Adjustable Height
Joystick Offset Tube
Clamp Assembly**

MK5 SPJ+ Joystick and Mounting Hardware

Introduced 8/16/05

Item Number	Note	Part Number	Description	Quantity Per	
				Package	Assembly
1	A	1127291	Joystick, SPJ+	1	1
2		1040217	Knob, Joystick Rubber, Black	1	1
3		1040218	Skirt, Joystick Rubber, Black	1	1
4		1165094	Kit, Overlay, SPJ+ Joystick (MK5/MK6)	1	1
			NLA - Overlay, SPJ+ Joystick	1	1
			Instruction Sheet, MK5/MK6 Overlay	1	1
5		1061983-NLA	NLA - Spacer, Plastic Snap Clamp (3/4" I.D. x 2-1/2")	1	1
6		1093071	Clamp, Fixed Height Joystick Tube	1	1
7	B	1093069	Kit, 1/2" Offset Joystick Tube with Hardware	1	1
8		1027095	Plug Button, Black (7/8")	1	1
9		1095502-NLA	NLA - Package, Tie Wrap (11-1/2" L)	10	1
10		1025714	Screw, Phillips Pan Head (#10-32 x 1-1/8")	1	2
11	C	1093063	Spacer, Joystick Tube, Black	1	1
12	D	1139422	Clamp, Height Adjustable Joystick Tube (ARM250)	1	1
13		1133165-NLA	NLA - Cable, Joystick Extension, MK5	1	1
	E	1006270	Extension, Joystick, "T" Style (1560) (4" W x 5-1/2" L)	1	1
	E	1006271	Extension, Joystick, Straight Style (1561) (1/2" W x 5" L)	1	1

NOTE: A - Includes Joystick and items 2 - 4
B - Includes items 8-11
C - Spacer allows the half clamps to grip securely around the 3/4" arm tube
D - Introduced as an option (ARM250) and can be used to replace a Fixed Height Joystick Clamp.
E - Not Shown