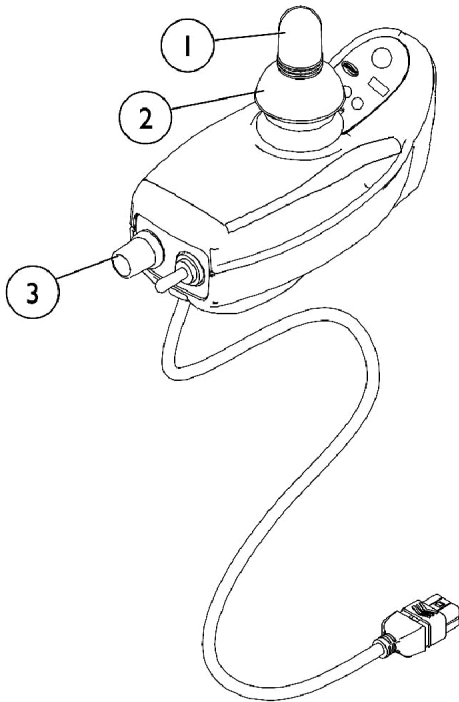
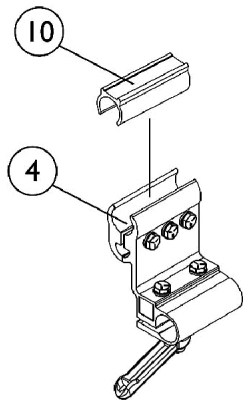
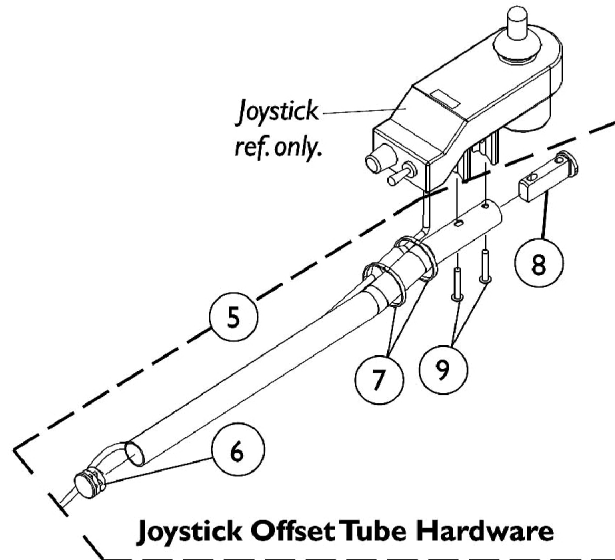


MK5 SPJ Joystick and Mounting Hardware

After 2/14/03

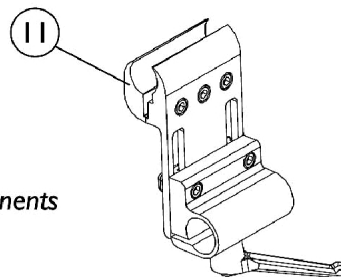


**1109532
SPJ Joystick**



**Fixed Height
Joystick Offset Tube
Clamp Assembly**

NOTE: Individual components
are not available.



**Adjustable Height
Joystick Offset Tube
Clamp Assembly**

MK5 SPJ Joystick and Mounting Hardware

After 2/14/03

Item Number	Note	Part Number	Description	Quantity Per	
				Package	Assembly
1		1040217	Knob, Joystick Rubber, Black	1	1
2		1040218	Skirt, Joystick Rubber, Black	1	1
3		1025516-NLA	NLA - Knob, Speed Control	1	1
4		1093071	Clamp, Fixed Height Joystick Tube	1	1
5	A	1093069	Kit, 1/2" Offset Joystick Tube with Hardware	1	1
6		1027095	Plug Button, Black (7/8")	1	1
7		1095502-NLA	NLA - Package, Tie Wrap (11-1/2" L)	10	2
8		1093063	Spacer, Joystick Tube, Black	1	1
9		7930327-NLA	NLA - Package, Screw, Phillips Pan Head (#10-32 x 1-1/8")	25	2
	B	1006270	Extension, Joystick, "T" Style (1560) (4" W x 5-1/2" L)	1	1
	B	1006271	Extension, Joystick, Straight Style (1561) (1/2" W x 5" L)	1	1
	C,D	1109532-NLA	NLA - Joystick, MK5 SPJ	1	1
10	E	1061983-NLA	NLA - Spacer, Plastic Snap Clamp (3/4" I.D. x 2-1/2")	1	1
11	F	1139422	Clamp, Height Adjustable Joystick Tube (ARM250)	1	1
<p>NOTE: A - Includes items 6-9 B - Not Shown C - See pictorial for reference. D - Items 1-3 are the only serviceable components for the MK5 SPJ joystick E - Spacer allows the half clamps to grip securely around the 3/4" arm tube F - Introduced as an option (ARM250) and can be used to replace a Fixed Height Joystick Clamp.</p>					