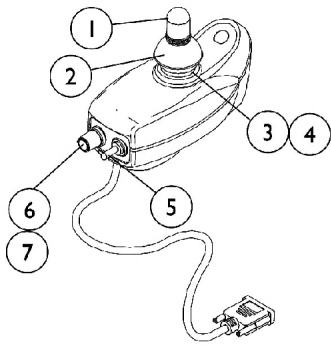
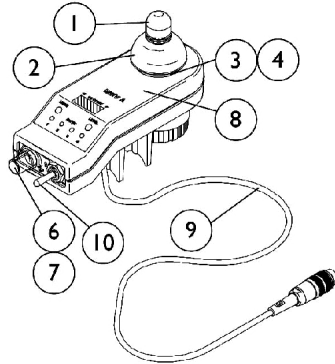


MKIV Joysticks and Mounting Hardware

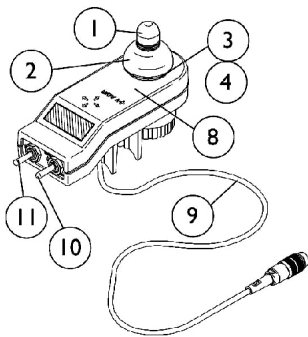
RII, A and A+ Before 2/15/03



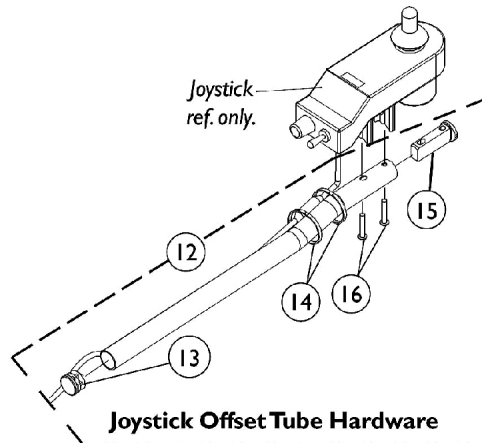
1092610
RII Joystick



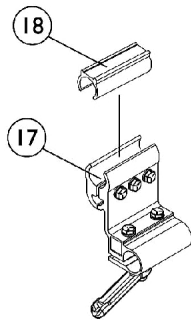
1065944
A Joystick



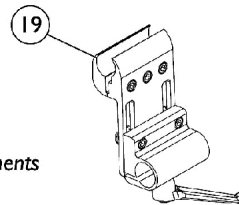
1038608
A+ Joystick



Joystick Offset Tube Hardware



Fixed Height
Joystick Offset Tube
Clamp Assembly



Adjustable Height
Joystick Offset Tube
Clamp Assembly

NOTE: Individual components
are not available.

MKIV Joysticks and Mounting Hardware

RII, A and A+ Before 2/15/03

Item Number	Note	Part Number	Description	Quantity Per	
				Package	Assembly
1		1040217	Knob, Joystick Rubber, Black	1	1
2		1040218	Skirt, Joystick Rubber, Black	1	1
3	E,F	1036764-NLA	NLA - Inductive, Joystick	1	1
3	G	1104397-NLA	NLA - Inductive, Joystick	1	1
4		50000X364-NLA	NLA - Boot, Joystick	1	1
5	E	1010042-NLA	NLA - Switch, Toggle SPDT	1	1
6	H	1040225-NLA	NLA - Potentiometer, Speed	1	1
6	G	1115518-NLA	NLA - Potentiometer, Speed	1	1
7		1025516-NLA	NLA - Knob, Speed Control	1	1
8		1040190-NLA	NLA - Overlay, Joystick Decal A Joystick	1	1
8		1036776-NLA	NLA - Overlay, Joystick Decal A+ Joystick	1	1
9	E,I	1036750-NLA	NLA - Cable Assembly	1	1
9	G	1104205-NLA	NLA - Cable Assembly	1	1
10	E,I	1040185-NLA	NLA - Switch, On/ Off Momentary	1	1
10	G	1115523-NLA	NLA - Switch, On/ Off Momentary	1	1
11	E	1040186-NLA	NLA - Switch, Program	1	1
12	B,C	1093069	Kit, 1/2" Offset Joystick Tube with Hardware	1	1
13		1027095	Plug Button, Black (7/8")	1	1
14		1095502-NLA	NLA - Package, Tie Wrap (11-1/2" L)	10	2
15		1093063	Spacer, Joystick Tube, Black	1	1
16		7930327-NLA	NLA - Package, Screw, Phillips Pan Head (#10-32 x 1-1/8")	25	2
17	C	1093071	Clamp, Fixed Height Joystick Tube	1	1
18	J	1061983-NLA	NLA - Spacer, Plastic Snap Clamp (3/4" I.D. x 2-1/2")	1	1
19	K	1139422	Clamp, Height Adjustable Joystick Tube (ARM250)	1	1
	A	1006270	Extension, Joystick, "T" Style (1560) (4" W x 5-1/2" L)	1	1
	A	1006271	Extension, Joystick, Straight Style (1561) (1/2" W x 5" L)	1	1
	D	1092610-NLA	NLA - Joystick, RII	1	1
	D	1065944-NLA	NLA - Joystick, "A"	1	1
	D	1038608-NLA	NLA - Joystick, "A+"	1	1

NOTE: A - Not Shown
 B - Includes items 13-16
 C - MKIV RII, A, A+, and PSF/PSR
 D - See pictorial for reference.
 E - Item requires soldering
 F - For RII, A+ and (A joystick before 10/01/02)
 G - For A joystick after 9/30/02 and has a non-solder connector
 H - For RII and (A joystick before 10/01/02)
 I - For A+ and (A joystick before 10/01/02)
 J - Spacer allows the half clamps to grip securely around the 3/4" arm tube
 K - Available as an option (ARM250) and can be used to replace a Fixed Height Joystick Clamp.