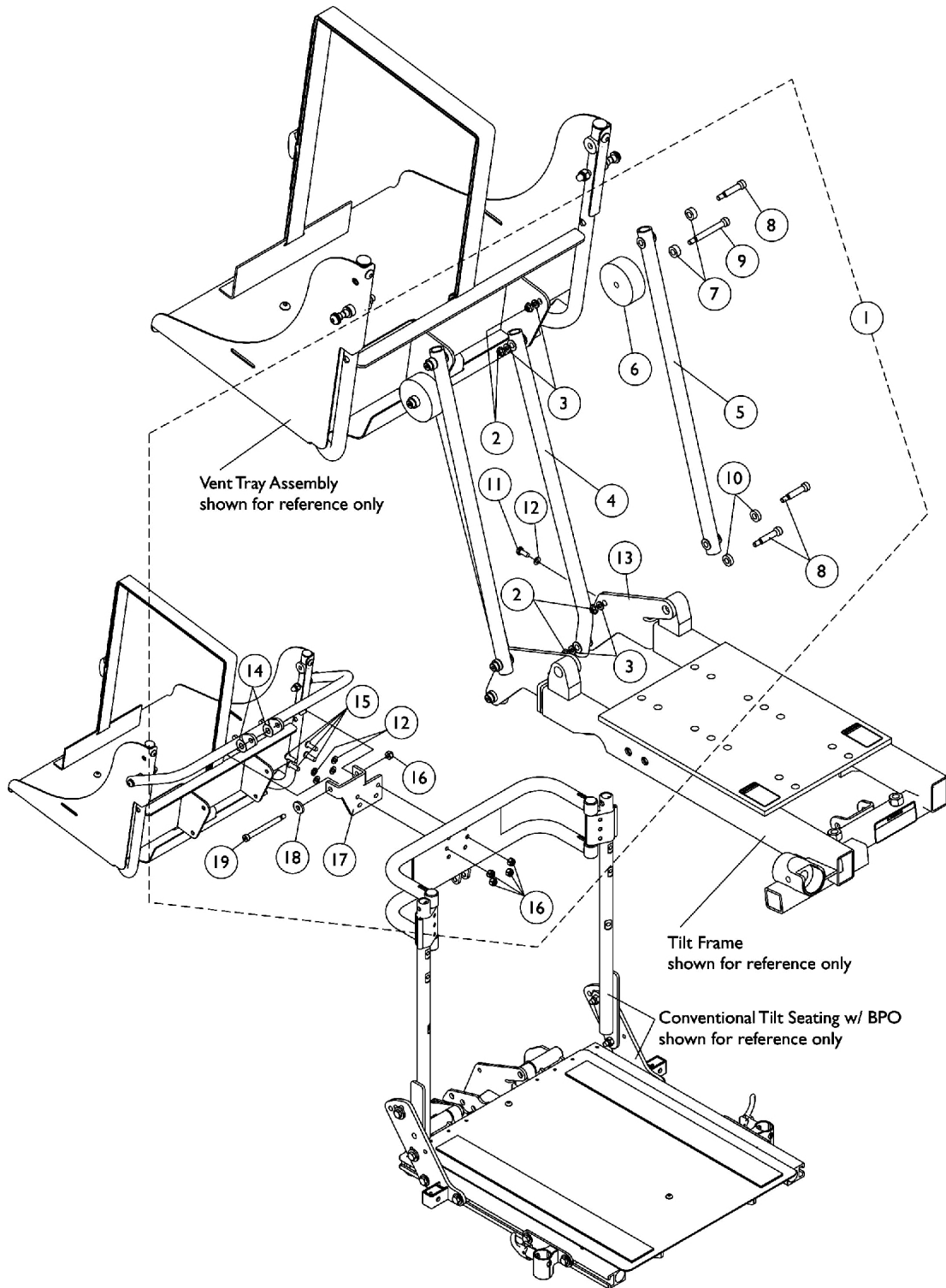


# Vent Tray Mounting Hardware

## Conventional Tilt and BPO Option

**NOTE:** When adding a Vent Tray Assembly in the field for the first time, refer to page titled "Accessories, Vent Tray Kits"



## Vent Tray Mounting Hardware Conventional Tilt and BPO Option

**NOTE: When adding a Vent Tray Assembly in the field for the first time, refer to page titled "Accessories, Vent Tray Kits"**

Item Number	Note	Part Number	Description	Quantity Per	
				Package	Assembly
1	A,A1	1125805-NLA	Kit, Vent Tray Mounting Hardware For Conventional Tilt & Conventional Tilt w/ BPO Option	1	1
2			NLA - Locknut (#10-24)	1	8
3			NLA - Washer, Steel (7/8 x 3/8 x 1/16")	1	8
4			Vent Pivot Tube Assembly, Bent	1	2
5			NLA - Vent Pivot Tube Assembly, Lower	1	2
6			Spacer, Nylon (1/4 x 2 x 3/4")	1	2
7			NLA - Spacer	1	4
8			NLA - Screw, Shoulder Hex Socket Head (1/4 x 1", #10-24)	1	6
9			NLA - Screw, Shoulder Hex Socket Head (1/4 x 1-3/4", #10-24)	1	2
10			NLA - Spacer (1/4 x 1/2 x 5/32")	1	4
11			Screw, Hex Head w/ Patch (1/4-20 x 3/4")	1	2
12			Washer (1/4 x 1/2 x 1/16")	1	6
13			NLA - Bracket, Lower Vent Pivot, Black - Right	1	1
13			NLA - Bracket, Lower Vent Pivot, Black - Left	1	1
14			NLA - Washer, Nylon (25/64 x 7/8 x 1/32")	1	2
15			Screw, Socket Button (1/4-20 x 3/4")	1	4
16			Locknut (1/4-20)	1	5
17			NLA - Bracket, Vent Tray Hanger, Black	1	1
18			Washer, Flat (21/64 x 53/64 x 7/64")	1	1
19			Screw, Shoulder Hex Socket Head (5/16" x 3", 1/4-20)	1	1

NOTE: A - Includes items 2-19. Vent Tray Mounting Hardware was revised after 4/2/06 and replaces all hardware used before 4/3/06 also. Sold as a hardware kit only.  
A1 - To know when the hardware kit has been replaced, one of the hardware components (item 4) was revised from a Straight Pivot Tube to a Bent Pivot Tube assembly.