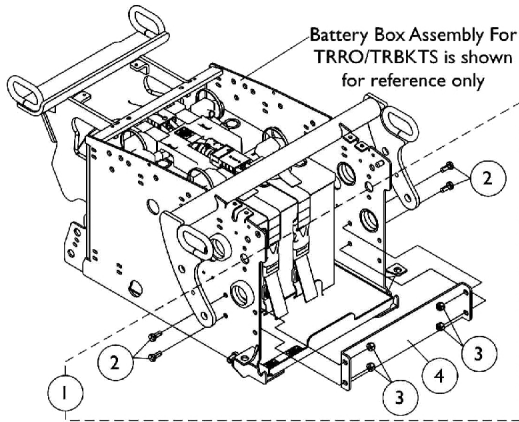
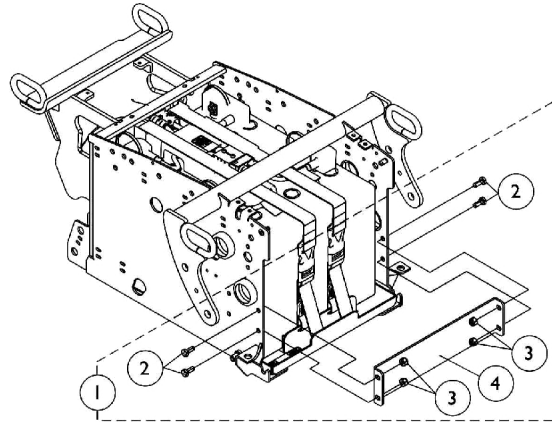


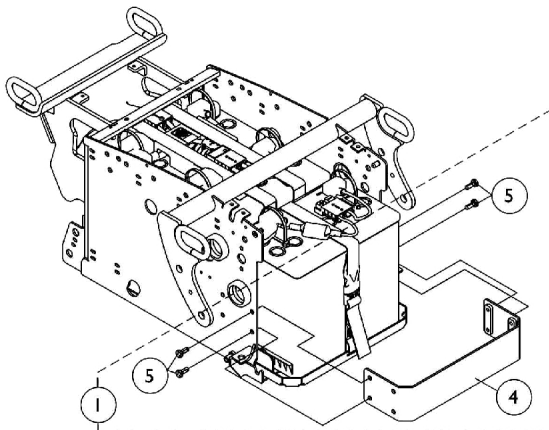
Battery Support Bracket Assembly For TRBKTS Option



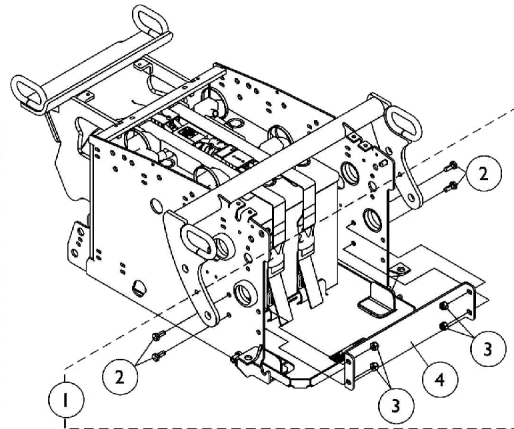
Battery Support Bracket Assembly
For 22NF Batteries



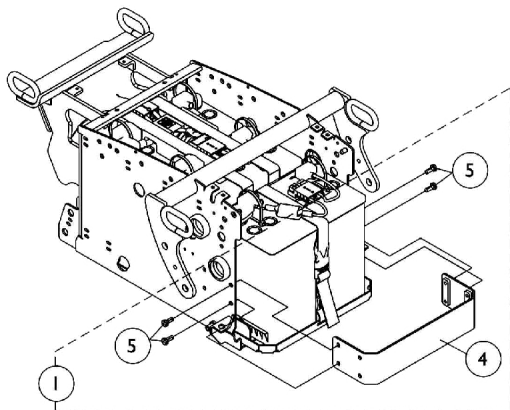
Battery Support Bracket Assembly
For GP24 Batteries



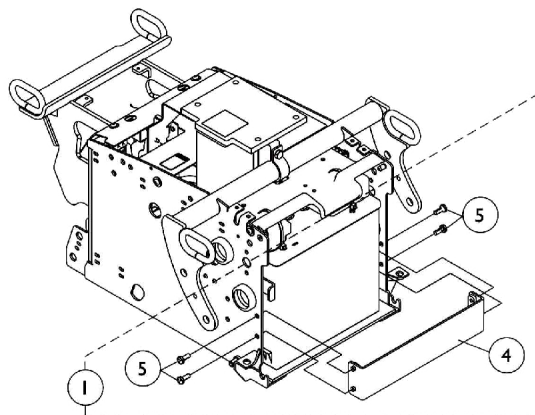
Battery Support Bracket Assembly
For Invisible Super Low Tilt System with 22NF Batteries



Battery Support Bracket Assembly
For Vent "Ready" System with 22NF Batteries



Battery Support Bracket Assembly
For Vent "Option" System with 22NF Batteries



Battery Support Bracket Assembly
For Elevate "Option" System with 22NF Batteries

Battery Support Bracket Assembly For TRBKTS Option

Item Number	Note	Part Number	Description	Quantity Per	
				Package	Assembly
1	A	1139537-NLA	NLA - Kit, Battery Support Bracket Assembly - For 22NF Batteries	1	1
2			Screw, Hex Head w/ Patch (1/4-20 x 1/2")	1	4
3			Locknut (1/4-20)	1	4
4			Bracket, Battery Support, Black	1	1
1	A	1139538-NLA	NLA - Kit, Battery Support Bracket Assembly - For GP24 Batteries	1	1
2			Screw, Hex Head w/ Patch (1/4-20 x 1/2")	1	4
3			Locknut (1/4-20)	1	4
4			Bracket, Battery Support, Black	1	1
1	B	1139539-NLA	NLA - Kit, Battery Support Bracket Assembly - For Invisible Super Low Tilt System w/ 22NF Batteries	1	1
4			Bracket, Battery Support, Black	1	1
5			Screw, Hex Head w/ Patch (1/4-20 x 1/2")	1	4
1	A	1139540-NLA	Kit, Battery Support Bracket Assembly - For Vent "Ready" System w/ 22NF Batteries	1	1
2			Screw, Hex Head w/ Patch (1/4-20 x 5/8")	1	4
3			Locknut (1/4-20)	1	4
4			Bracket, Battery Support, Black	1	1
1	B	1139541-NLA	NLA - Kit, Battery Support Bracket Assembly - For Vent "Option" System w/ 22NF Batteries	1	1
4			Bracket, Battery Support, Black	1	1
5			Screw, Hex Head w/ Patch (1/4-20 x 1/2")	1	4
1	B	1139867-NLA	Kit, Battery Support Bracket Assembly - For Elevate "Option" System w/ 22NF Batteries	1	1
4			Bracket, Battery Support, Black	1	1
5			Screw, Hex Head w/ Patch (1/4-20 x 1/2")	1	4

NOTE: A - Includes items 2-4
B - Includes items 4 and 5