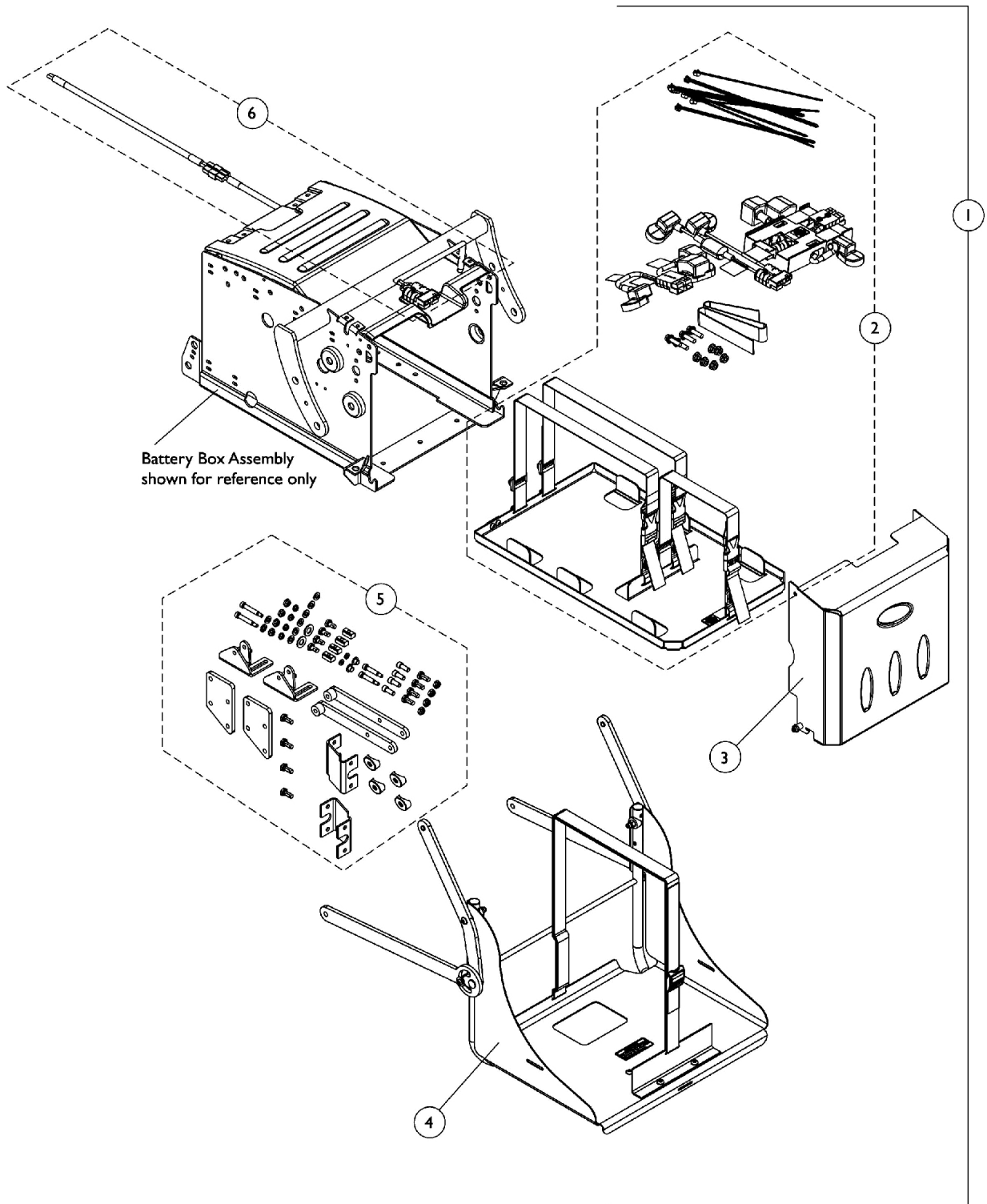


Vent Tray Kit For Extruded & Round Back Canes

16"-22" Wide Seating Systems

A Battery Support Bracket Assembly for Vent must be ordered when a chair is equipped with a TRBKTS option



Vent Tray Kit For Extruded & Round Back Canes

16"-22" Wide Seating Systems

A Battery Support Bracket Assembly for Vent must be ordered when a chair is equipped with a TRBKTS option

Item Number	Note	Part Number	Description	Quantity Per	
				Package	Assembly
1	A,B,C, D	1123841	Kit, Vent Tray Assembly For 16"-22" Wide Systems	1	1
2			Battery Wire Harness with Terminal Hardware, 22NF - Rear	1	1
2			Battery Wire Harness with Terminal Hardware, 22NF - Front	1	1
2			Harness, Battery Wire with Terminal Hardware, 22NF Vent	1	1
2			NLA - Battery Tray Assembly, TDX 22NF For Vent	1	1
3			NLA - Label, 22NF Terminal Configuration Warning	1	1
3			NLA - Label, 3 Battery Configuration Warning	1	1
3			NLA - Decal, Blank Logo	1	1
3			NLA - Decal, Invacare Medallion - Large	1	1
3			Locknut (1/4-20)	1	2
3			NLA - Sleeve, Door Pivot	1	2
4			NLA - Tray, Vent	1	1
4			NLA - Strap and Buckle Assembly	1	1
4			NLA - Vent Tray Linkage Assembly - Right	1	1
4			NLA - Tube, Vent Tray Support, Black	1	1
4			Nut, Hex with Nylon Cap (1/4-20)	1	2
4			Spacer, Coved (1/4 x 3/4 x 11/32")	1	4
4			NLA - Plug, Slide Tube	1	2
4			NLA - Vent Tray Linkage Assembly - Left	1	1
4			NLA - Spacer	1	2
4			NLA - Lockwasher, Split (5/16")	1	2
4			NLA - Spacer, Vent	1	2
4			Lockwasher, Split (1/4")	1	2
4			Screw, Socket Button Head (1/4-20 x 1-5/8")	1	2
4			NLA - Screw, Socket Button Head (#10-32 x 1/2")	1	2
4			Washer, Flat (3/16 x 5/8 x 1/16")	1	2
4			Bushing, Flange	1	2
4			Locknut (1/4-20)	1	4
4			NLA - Screw, Socket Button Head (1/4-20 x 1-1/4")	1	2
4			NLA - Screw, Socket Button Head (1/4-20 x 1/2")	1	4
4			NLA - Bracket, Vent Tray, Black	1	1
4			NLA - Decal, Warning, Approved Charger and Harness	1	1
5			NLA - Bracket, Upper Link, Black	1	2
5			T-Nut (1/4-20)	1	4
5			NLA - Locknut (#10-24)	1	4
5			NLA - Washer, Steel (7/8 x 3/8 x 1/16")	1	2
5			Screw, Hex Head w/ Patch (1/4-20 x 1/2")	1	4
5			Washer (1/4 x 1/2 x 1/16")	1	6
5			NLA - Screw, Shoulder Hex Socket Head (1/4 x 1", #10-24)	1	2

Vent Tray Kit For Extruded & Round Back Canes

16"-22" Wide Seating Systems

A Battery Support Bracket Assembly for Vent must be ordered when a chair is equipped with a TRBKTS option

Item Number	Note	Part Number	Description	Quantity Per	
				Package	Assembly
5			Screw, Hex Head w/ Patch (1/4-20 x 1/2")	1	4
5			NLA - Bracket, Seat Vent, Black (20 - 22" W)	1	2
5			Locknut (1/4-20)	1	4
5			Washer, Nylon (3/8 x 3/4 x 1/16")	1	2
5			NLA - Bracket, Vent Tray Attachment, Black	1	2
5			Screw, Shoulder Hex Socket (1/4 x 1-1/4", #10-24)	1	2
5			Locknut (1/4-20)	1	4
5			NLA - Screw, Socket Head (1/4-20 x 5/8")	1	4
5			Lockwasher, Split (1/4")	1	2
5			NLA - Bushing, Flanged	1	2
5			Screw, Hex Head w/ Patch (1/4-20 x 5/8")	1	4
5			NLA - Bracket, Vent-Connect Upper, Black - Right	1	1
5			Bracket, Vent-Connect Upper, Black - Left	1	1
5			NLA - Spacer, Coved (5/16 x 29/32 x 7/16")	1	4
6			Harness, Vent Battery	1	1
6			NLA - Harness, Vent Battery Extension	1	1
6			Harness, Vent Battery Extension, TRBKTS Option	1	1
6			Screw, Phillips Pan Head (#8-16 x 5/8")	1	2
6			Tie Wrap (5-5/8" L)	1	4
			NLA - Instruction Sheet, Vent Tray Assembly For 16"-22" Wide Systems with Extruded Back Canes Installation	1	1
			NLA - Spring, Dark Yellow, EXTRA Heavy Duty	1	2
	E	1139541-NLA	NLA - Kit, Battery Support Bracket Assembly - For Vent "Option" System w/ 22NF Batteries	1	1
			Screw, Hex Head w/ Patch (1/4-20 x 1/2")	1	4
			Bracket, Battery Support, Black	1	1
<p>NOTE: A - To view location of individual components for items 2, 3 and 6, see page titled "Battery Tray Assembly, Door and Wire Harnesses For Vent Tray (3) 22NF Batteries"</p> <p>B - To view location of individual components for item 4, see page titled "Vent Tray Assembly without Mounting Hardware"</p> <p>C - To view location of individual components for item 5, see pages titled "Vent Tray Mounting Hardware For Extruded or Round Back Canes"</p> <p>D - Part Number 1123840 is no longer available from the Invacare Service Parts Department. Refer to the Invacare Website under "Product Literature Search". Enter the part number in the "Keywords" field and download a free PDF version copy.</p> <p>E - Not Shown. To view location of individual components, see page titled "Battery Support Bracket Assembly TRBKTS Option"</p>					