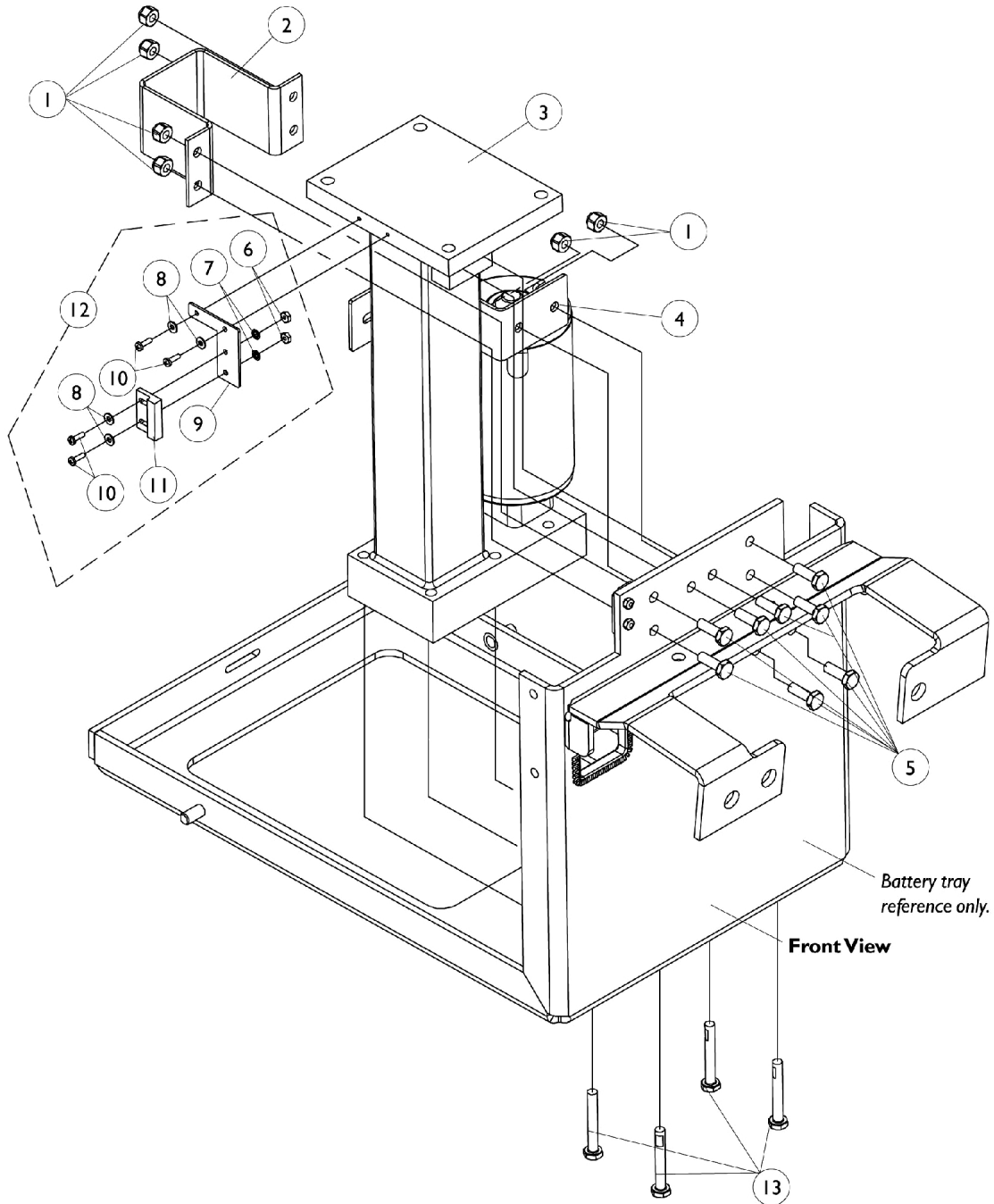


Elevating Actuator, Switch Sensor and Hardware For Elevating Seat

Discontinued 10/16/06. After 10/15/06, Refer to Formula CG Powered Seating System Parts Catalog Form #06-106 for the Elevate Option components for 3G Storm Series.



Elevating Actuator, Switch Sensor and Hardware For Elevating Seat

Discontinued 10/16/06. After 10/15/06, Refer to Formula CG Powered Seating System Parts Catalog Form #06-106 for the Elevate Option components for 3G Storm Series.

Item Number	Note	Part Number	Description	Quantity Per	
				Package	Assembly
1		1025736	Locknut (1/4-20)	1	6
2		1108436-NLA	NLA - Bracket, Actuator Support, Black	1	1
3		1109334-NLA	NLA - Actuator Motor Assembly, Elevate	1	1
4		1108435-NLA	NLA - Bracket, Battery Strap, Black	1	1
5		1025708-NLA	NLA - Bolt, Hex Head Cap (1/4-20 x 3/4")	1	8
6		1005889	NLA - Locknut (#4-40)	1	2
7		1008525-NLA	NLA - Washer, Internal Tooth Lock (#4-40)	1	2
8		1011011-NLA	NLA - Washer, Plain (1/8 x 5/16 x 1/32")	1	4
9		1106518-NLA	NLA - Bracket, Actuator Switch Sensor, Black	1	1
10		1027704-NLA	NLA - Screw, Phillips Pan Head (#4-40 x 3/8")	1	4
11	B	1024001	Sensor, Actuator Switch	1	1
12	A	1108773-NLA	NLA - Hardware, Actuator Switch Sensor and Mounting	1	1
13		1088898-NLA	NLA - Screw, Hex Head w/ Patch (1/4-20 x 1-3/4")	1	4

NOTE: A - Includes items 6-11
 B - The Proximity Sensor that mates up with item 11 can be found under the page titled "Battery Tray, Proximity Sensor and Hardware For Power Elevating Seat".