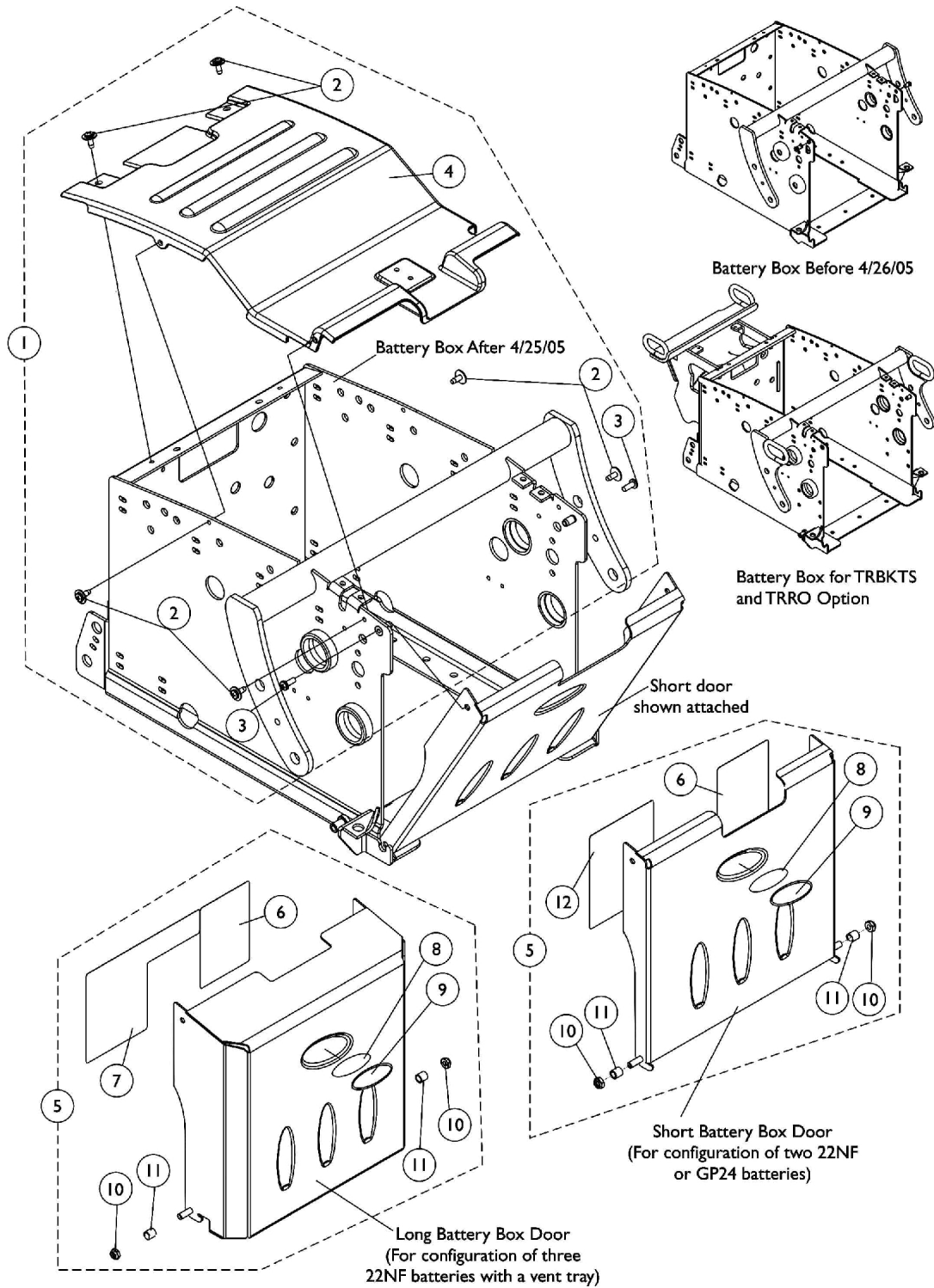


Battery Box Hardware and Door Assembly

The Battery Boxes are non-serviceable parts. Call Technical Services for assistance (1-800-832-4707)



Battery Box Hardware and Door Assembly

The Battery Boxes are non-serviceable parts. Call Technical Services for assistance (1-800-832-4707)

Item Number	Note	Part Number	Description	Quantity Per	
				Package	Assembly
1	A	1133026-NLA	NLA - Kit, Battery Box Hardware	1	1
2			Screw, Phillips Pan Head Tap (#10-32 x 1/2")	1	6
3			NLA - 3Screw, Socket Head (#10-32 x 1/2")	1	2
4			NLA - Cover, Battery Box Shroud	1	1
5	B,D,E	1113357	NLA - Kit, Battery Box Door Assembly, 22NF Short	1	1
6			NLA - Label, 22NF Terminal Configuration Warning	1	1
8			NLA - Decal, Blank Logo	1	1
9			NLA - Decal, Invacare Medallion - Large	1	1
10			Locknut (1/4-20)	1	2
11			NLA - Sleeve, Door Pivot	1	2
12			NLA - Label, 22NF Battery Install/Remove	1	1
5	B,D	1113127-NLA	NLA - Kit, Battery Box Door Assembly, GP24 Short	1	1
6			NLA - Label, Terminal Configuration Warning, GP24	1	1
8			NLA - Decal, Blank Logo	1	1
9			NLA - Decal, Invacare Medallion - Large	1	1
10			Locknut (1/4-20)	1	2
11			NLA - Sleeve, Door Pivot	1	2
12			Label, Battery Install/Remove, GP24	1	1
5	C,D	1121072-NLA	Kit, Battery Box Door Assembly, 22NF Long (For Vent)	1	1
6			NLA - Label, 22NF Terminal Configuration Warning	1	1
7			NLA - Label, 3 Battery Configuration Warning	1	1
8			NLA - Decal, Blank Logo	1	1
9			NLA - Decal, Invacare Medallion - Large	1	1
10			Locknut (1/4-20)	1	2
11			NLA - Sleeve, Door Pivot	1	2

NOTE: A - Includes Battery Box Door along w/ Items 2-4.
 B - Includes Battery Box Door along w/ Items 6 and 8-12.
 C - Includes Battery Box Door along w/ Items 6-11.
 D - Blank Logo Decal is no longer available and no longer required for item number 9 Invacare Medallion Decal.
 E - Item is no longer available from the Invacare Service Parts Department. Refer to the Invacare Website under "Product Literature Search". Enter the part number in the "Keywords" field and download a free PDF version copy.