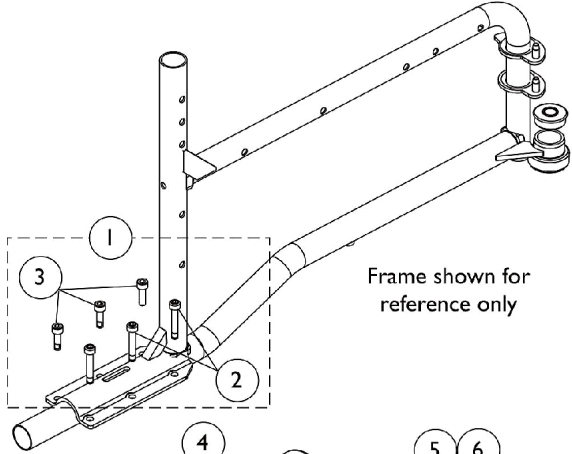
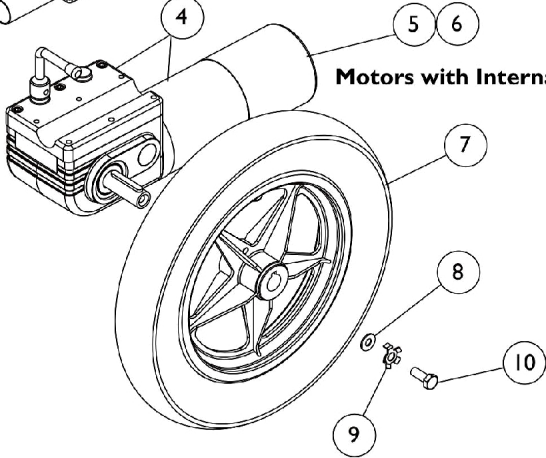


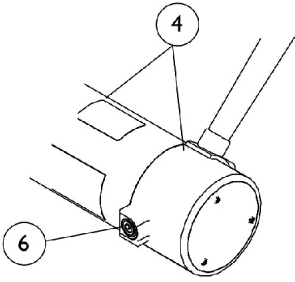
Motors, Drive Wheels, and Attaching Hardware



Frame shown for reference only



Motors with Internal brushes



Motors with External brushes
(Introduced 3/01/06)

Motors, Drive Wheels, and Attaching Hardware

Item Number	Note	Part Number	Description	Quantity Per	
				Package	Assembly
1	F	1141284	Kit, Motor Mounting Hardware	1	1
2			NLA - Screw, Socket Head (M6 x 1 x 30mm)	1	3
3			Screw, Socket w/ Patch (M6 x 1 x 20mm)	1	3
4	D	1111707	Motor/Gearbox Assembly - Right	1	1
4	D	1111708	Motor/Gearbox Assembly - Left	1	1
4	E	1141282	Motor/Gearbox Assembly - Right	1	1
4	E	1141283	Motor/Gearbox Assembly - Left	1	1
5	D	1038361-NLA	NLA - Kit, Motor/Brake Covers with Screws	2	1
6	A,D	1123528-NLA	NLA - Kit, Motor Brush - Internal (Large)	2	1
6	B,E	1137265-NLA	NLA - Kit, Motor Brush w/ Cap - External (Pair)	2	1
	C	1122164	Instruction Sheet, Motor Brush Kit	1	1
7	G	1064177	Drive Wheel Assembly, 5 Spoke w/ Foam Fill Insert (12-1/2 x 2-1/4") Includes: Locking Tab Washer with Instruction Sheet	1	1
8		1079247	Washer, Flat (21/64 x 53/64 x 7/64")	1	1
9		1064179	Kit, Locking Tab Washer w/ Instruction Sheet (Pair)	2	1
10		1023260	Screw (M8 x 1.25 x 20mm)	1	1

NOTE: A - For motors with internal brushes. Includes 2 ea. brushes and 1 ea. instruction sheet.
 B - For motors with external brushes. Includes 2 ea. brushes, 2 ea. brush caps, and 1 ea. instruction sheet.
 C - Not Shown
 D - Chairs built Before 3/01/06
 E - Chairs built After 2/28/06. Due to alternate suppliers, replacement motors may contain either internal or external motor brushes.
 F - Includes items 2 and 3
 G - Includes locking tab washer and instruction sheet.