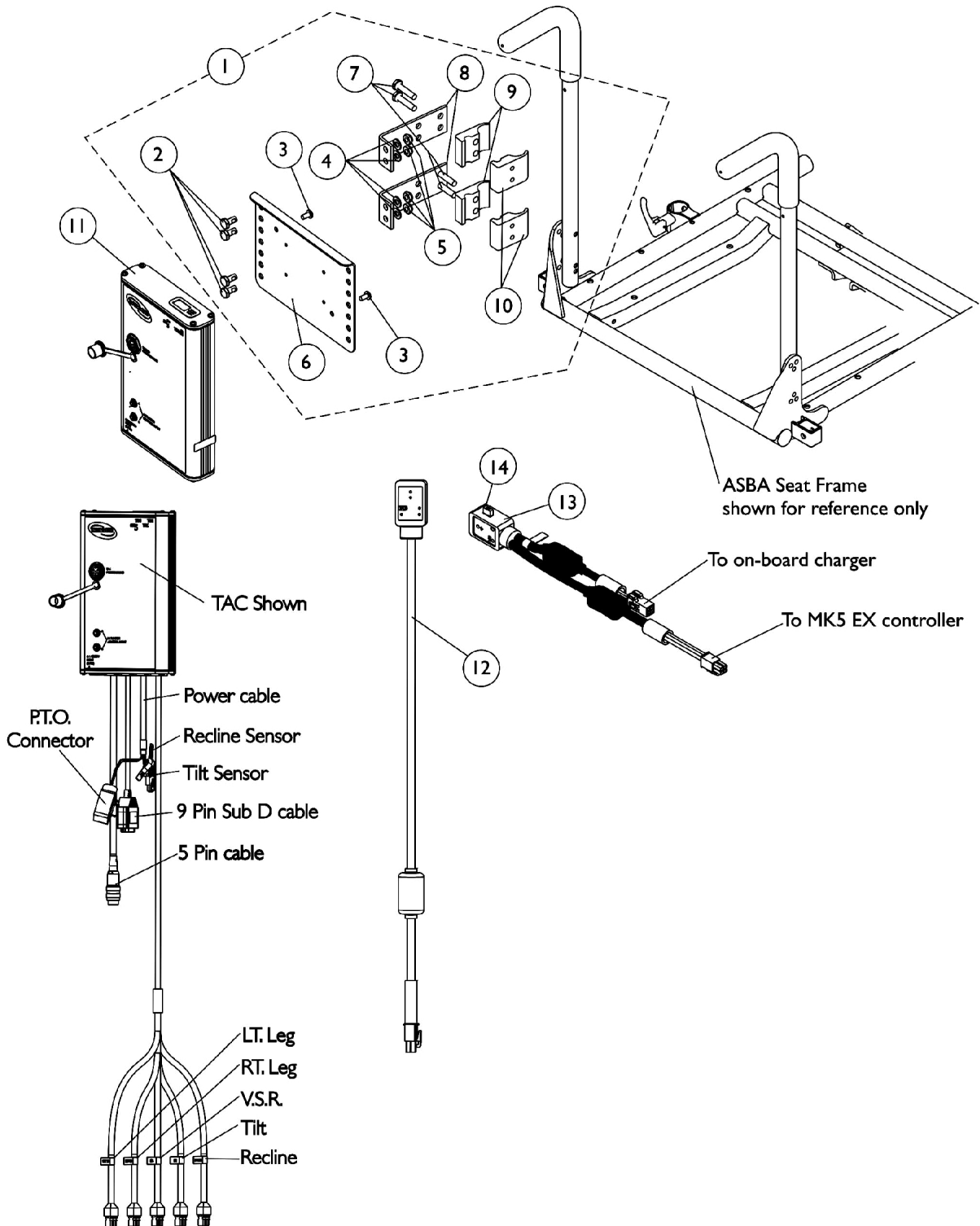


MK5 TAC & Mounting Hardware



MK5 TAC & Mounting Hardware

Item Number	Note	Part Number	Description	Quantity Per	
				Package	Assembly
1	F	1142600-NLA	NLA - Kit, MK5 TAC/TRECM Mounting Hardware	1	1
2			Screw, Hex Head w/ Patch (1/4-20 x 1/2")	1	4
3			NLA - Screw, Phillips Pan Head w/ Patch (#10-32 x 3/8")	1	2
4			Washer (1/4 x 1/2 x 1/16")	1	4
5			Locknut (1/4-20)	1	4
6			NLA - Bracket, Controller Mounting, Black	1	1
7			NLA - Screw, Hex Head (1/4-20 x 1-1/8")	1	4
8			NLA - Bracket, Standoff, Black	1	2
9			Half Clamp, Non-Threaded Holes	1	2
10			NLA - Half Clamp, Threaded Holes	1	2
11	C	1118728-NLA	NLA - Controller, MK5 TAC	1	1
12	A	1119418	Cable, Auxiliary Power	1	1
13	B	1127429-NLA	NLA - Cable, Splitter Auxiliary Power	1	1
14		1090117-NLA	NLA - Fuse - Buss Mini ATM-15 (15 AMP)	1	1
	D	1142589-NLA	Kit, MK5 SAC To MK5 TAC Conversion For Formula PTO Plus on Pronto M71/M91 & TDX	1	1
2			Screw, Hex Head w/ Patch (1/4-20 x 1/2")	1	4
3			NLA - Screw, Phillips Pan Head w/ Patch (#10-32 x 3/8")	1	2
4			Washer (1/4 x 1/2 x 1/16")	1	4
5			Locknut (1/4-20)	1	4
6			NLA - Bracket, Controller Mounting, Black	1	1
7			NLA - Screw, Hex Head (1/4-20 x 1-1/8")	1	4
8			NLA - Bracket, Standoff, Black	1	2
9			Half Clamp, Non-Threaded Holes	1	2
10			NLA - Half Clamp, Threaded Holes	1	2
11			NLA - Controller, MK5 TAC	1	1
			NLA - Harness, Drive Lockout Mercury Free Ball Switch	1	2
			NLA - Bracket, Cable/Wire Mounting, Black	1	1
			Washer, Steel (3/16 x 7/16 x 1/16")	1	1
			Screw, Phillips Pan Head Tap (#10-32 x 3/8")	1	1
			Tie Wrap (11-1/2" L)	1	10
			Tie Wrap (5-5/8" L)	1	10
			NLA - Instruction Sheet, MK5 SAC To MK5 TAC Conversion For Formula PTO Plus on Pronto M71/M91 & TDX	1	1
		1142589E-NLA	NLA - WARR RPLMT - MK5 SAC To MK5 TAC Conversion Kit For Formula PTO Plus on Pronto M71/M91 & TDX	1	1
2			Screw, Hex Head w/ Patch (1/4-20 x 1/2")	1	4
3			NLA - Screw, Phillips Pan Head w/ Patch (#10-32 x 3/8")	1	2
4			Washer (1/4 x 1/2 x 1/16")	1	4
5			Locknut (1/4-20)	1	4
6			NLA - Bracket, Controller Mounting, Black	1	1
9			Half Clamp, Non-Threaded Holes	1	2
10			NLA - Half Clamp, Threaded Holes	1	2

MK5 TAC & Mounting Hardware

Item Number	Note	Part Number	Description	Quantity Per	
				Package	Assembly
11			NLA - WARR RPLMT - Controller, MK5 TAC	1	1
			NLA - Bracket, Cable/Wire Mounting, Black	1	1
			Tie Wrap (5-5/8" L)	1	10
			Screw, Phillips Pan Head Tap (#10-32 x 3/8")	1	1
			Washer, Steel (3/16 x 7/16 x 1/16")	1	1
			NLA - Harness, Drive Lockout Mercury Free Ball Switch	1	2
			E 1128387-NLA NLA - Kit, Switch Mounting Hardware	1	2
			NLA - Bracket, Cable/Wire Mounting, Black	1	1
			Washer, Steel (3/16 x 7/16 x 1/16")	1	1
			Screw, Phillips Pan Head Tap (#10-32 x 3/8")	1	1
			E 1080634-NLA NLA - Harness, Drive Lockout Mercury Free Ball Switch	1	2
			E 1095503-NLA NLA - Package, Tie Wrap (5-5/8" L)	10	1
			E 1095502-NLA NLA - Package, Tie Wrap (11-1/2" L)	10	1
			E 1141483-NLA NLA - Instruction Sheet, MK5 SAC To MK5 TAC Conversion For Formula PTO Plus on Pronto M71/M91 & TDX	1	1
<p>NOTE: A - Used for TDX models B - Used for Pronto M71 and M91 models with on-board chargers C - When converting a MK5 SAC to a MK5 TAC, refer to the Conversion Kit part # 1142589. Conversion Kit includes all parts needed to convert a (PTO Plus on a Pronto M71/M91 & TDX) D - Not Shown. Kit components for a PTO Plus on a Pronto M71/M91 & TDX uses items 2-11, (part #'s 1080634, 0062800, 1028516, 1022597), Cable Ties and Instruction Sheet E - Not Shown F - Includes items 2-10</p> <p>Effective (7/1/2009), switches are mercury free.</p>					