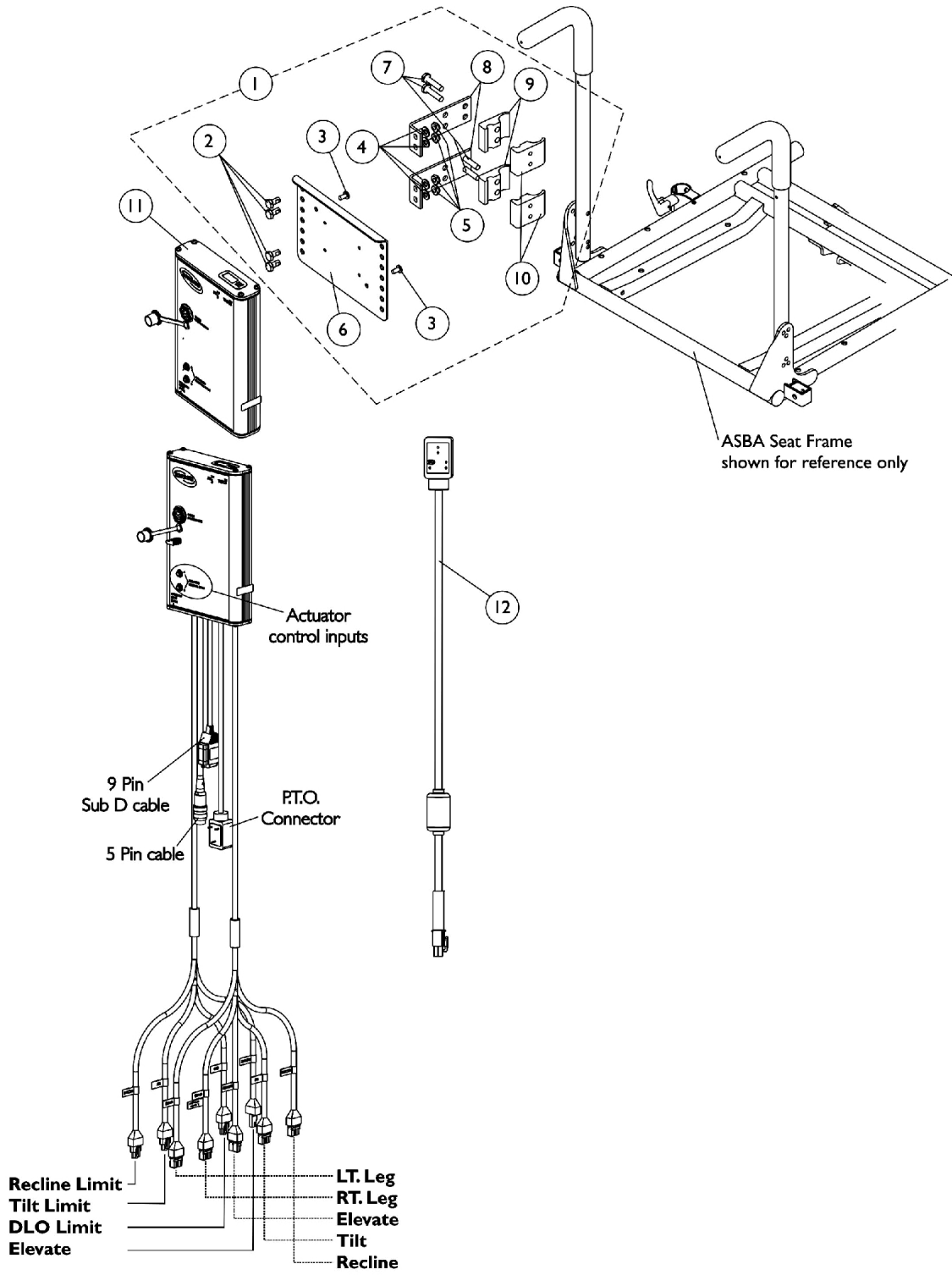


MK5 TRECM & Mounting Hardware (After 2/27/06)



MK5 TRECM & Mounting Hardware (After 2/27/06)

Item Number	Note	Part Number	Description	Quantity Per	
				Package	Assembly
1	A	1142600-NLA	NLA - Kit, MK5 TAC/TRECM Mounting Hardware	1	1
2			Screw, Hex Head w/ Patch (1/4-20 x 1/2")	1	4
3			NLA - Screw, Phillips Pan Head w/ Patch (#10-32 x 3/8")	1	2
4			Washer (1/4 x 1/2 x 1/16")	1	4
5			Locknut (1/4-20)	1	4
6			NLA - Bracket, Controller Mounting, Black	1	1
7			NLA - Screw, Hex Head (1/4-20 x 1-1/8")	1	4
8			NLA - Bracket, Standoff, Black	1	2
9			Half Clamp, Non-Threaded Holes	1	2
10			NLA - Half Clamp, Threaded Holes	1	2
11	B	1123263-NLA	NLA - Controller, MK5 TRECM	1	1
12		1119418	Cable, Auxiliary Power	1	1
	C	1095503-NLA	NLA - Package, Tie Wrap (5-5/8" L)	10	1
	C	1090357-NLA	NLA - Wrap, Slit Wire Harness (1/2" O.D., 36" Long Cut To Length)	1	1

NOTE: A - Includes items 2-10
 B - MK5 TRECM is used when ELRPW Power Articulating Legrest are ordered.
 C - Not Shown