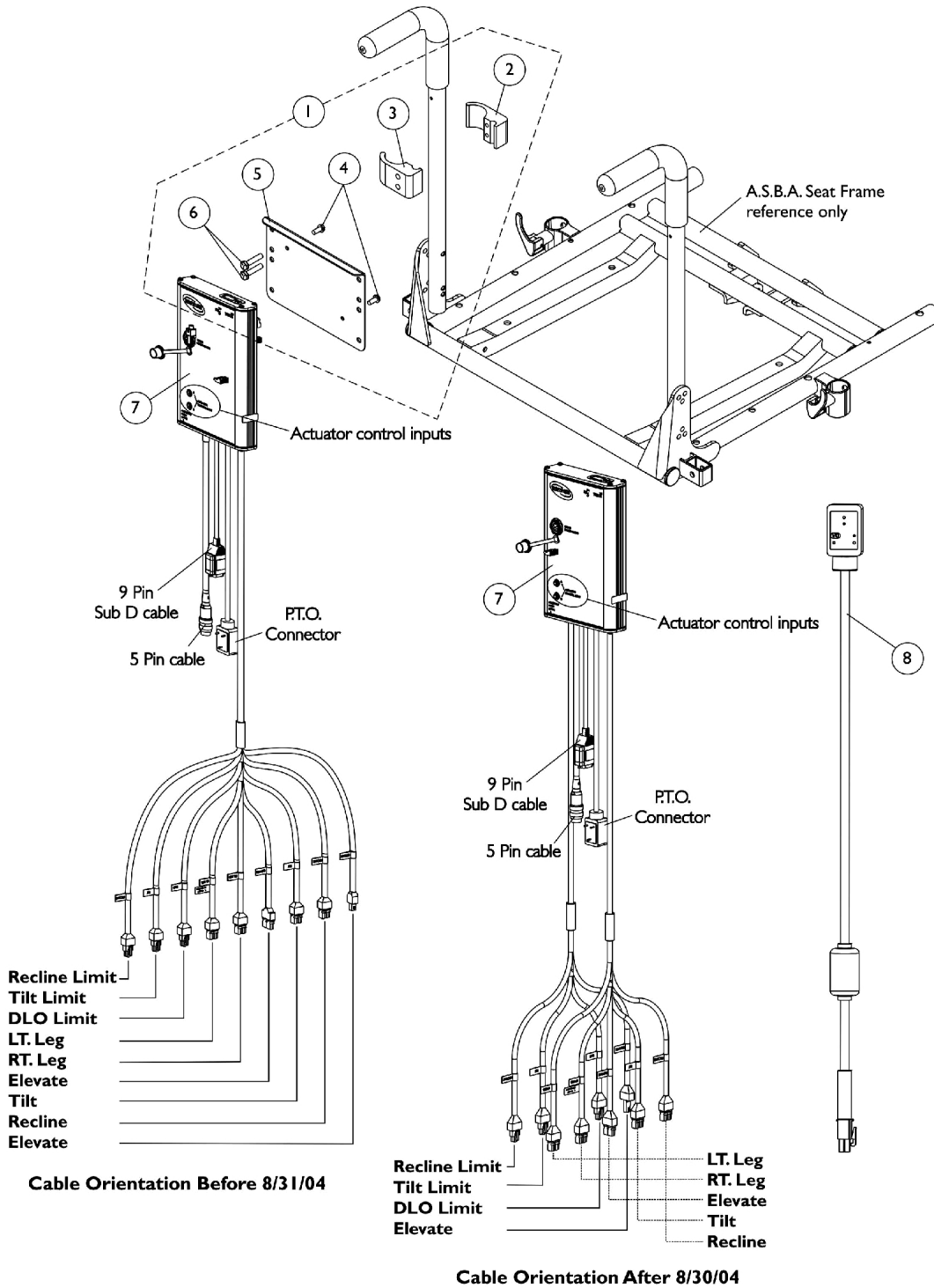


MK5 TRECM and Mounting Hardware

Before 2/28/06



MK5 TRECM and Mounting Hardware Before 2/28/06

Item Number	Note	Part Number	Description	Quantity Per	
				Package	Assembly
1	A	1120262-NLA	Kit, MK5 TAC, TRCM, and TRECM Mounting Hardware	1	1
2			NLA - Half Clamp, Threaded Holes	1	1
3			Half Clamp, Non-Threaded Holes	1	1
4			NLA - Screw, Phillips Pan Head w/ Patch (#10-32 x 3/8")	1	2
5			NLA - Bracket, Controller Mounting, Black	1	1
6			NLA - Screw, Hex Head (1/4-20 x 1-1/8")	1	2
7	C	1123263-NLA	NLA - Controller, MK5 TRECM	1	1
8		1119418	Cable, Auxiliary Power	1	1
	B	1095503-NLA	NLA - Package, Tie Wrap (5-5/8" L)	10	1
	B	1090357-NLA	NLA - Wrap, Slit Wire Harness (1/2" O.D., 36" Long Cut To Length)	1	1

NOTE: A - Includes items 2-6
 B - Not Shown
 C - After 8/30/04 cable orientation was revised but the functionality remains the same. TRECM controllers made after 8/30/04 are backward compatible with seating systems made before 8/31/04. MK5 TRECM is used when ELRPW Power Articulating Legrest are ordered.