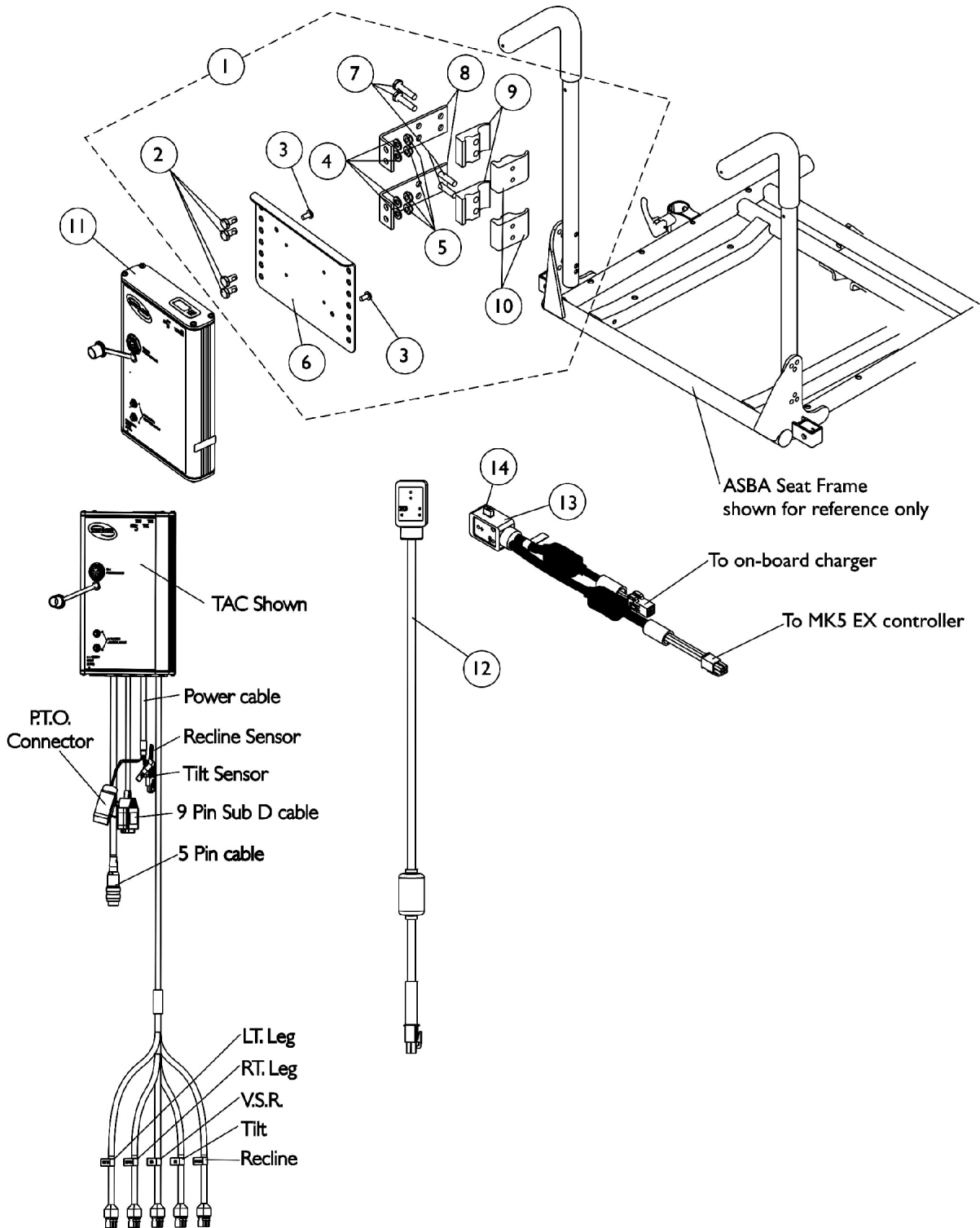


# Electronics - MK5 TAC and Hardware (After 1/05/2006)

(Available only on chairs with PTO and PTO Plus Powered Seating)  
As of (7/1/2009), switches are mercury free.



# Electronics - MK5 TAC and Hardware (After 1/05/2006)

(Available only on chairs with PTO and PTO Plus Powered Seating)  
As of (7/1/2009), switches are mercury free.

Item Number	Note	Part Number	Description	Quantity Per	
				Package	Assembly
1	J	1142600-NLA	NLA - Kit, MK5 TAC/TRECM Mounting Hardware	1	1
2			Screw, Hex Head w/ Patch (1/4-20 x 1/2")	1	4
3			NLA - Screw, Phillips Pan Head w/ Patch (#10-32 x 3/8")	1	2
4			Washer (1/4 x 1/2 x 1/16")	1	4
5			Locknut (1/4-20)	1	4
6			NLA - Bracket, Controller Mounting, Black	1	1
7			NLA - Screw, Hex Head (1/4-20 x 1-1/8")	1	4
8			NLA - Bracket, Standoff, Black	1	2
9			Half Clamp, Non-Threaded Holes	1	2
10			NLA - Half Clamp, Threaded Holes	1	2
11	B,C	1118728-NLA	NLA - Controller, MK5 TAC	1	1
12		1119418	Cable, Auxiliary Power	1	1
13	A	1127429-NLA	NLA - Cable, Splitter Auxiliary Power	1	1
14		1090117-NLA	NLA - Fuse - Buss Mini ATM-15 (15 AMP)	1	1
	D,E	1142587-NLA	Kit, MK5 SAC To MK5 TAC Conversion For PTO on Pronto M71/M91	1	1
2			Screw, Hex Head w/ Patch (1/4-20 x 1/2")	1	4
3			NLA - Screw, Phillips Pan Head w/ Patch (#10-32 x 3/8")	1	2
4			Washer (1/4 x 1/2 x 1/16")	1	4
5			Locknut (1/4-20)	1	4
6			NLA - Bracket, Controller Mounting, Black	1	1
7			NLA - Screw, Hex Head (1/4-20 x 1-1/8")	1	4
8			NLA - Bracket, Standoff, Black	1	2
9			Half Clamp, Non-Threaded Holes	1	2
10			NLA - Half Clamp, Threaded Holes	1	2
11			NLA - Controller, MK5 TAC	1	1
			NLA - Harness, Drive Lockout Mercury Free Ball Switch	1	2
			NLA - Bracket, Cable/Wire Mounting, Black	1	1
			Screw, Phillips Pan Head Tap (#10-16 x 3/4")	1	1
			Lockwasher, External Tooth (#10)	1	1
			Tie Wrap (11-1/2" L)	1	10
			Tie Wrap (5-5/8" L)	1	10
			NLA - Instruction Sheet, MK5 SAC To MK5 TAC Conversion For PTO on Pronto M71/M91	1	1
	D,E	1142587E-NLA	NLA - WARR RPLMT - MK5 SAC To MK5 TAC Conversion Kit For PTO on Pronto M71/M91	1	1
2			Screw, Hex Head w/ Patch (1/4-20 x 1/2")	1	4
3			NLA - Screw, Phillips Pan Head w/ Patch (#10-32 x 3/8")	1	2
4			Washer (1/4 x 1/2 x 1/16")	1	4
5			Locknut (1/4-20)	1	4
6			NLA - Bracket, Controller Mounting, Black	1	1

# Electronics - MK5 TAC and Hardware (After 1/05/2006)

(Available only on chairs with PTO and PTO Plus Powered Seating)  
As of (7/1/2009), switches are mercury free.

Item Number	Note	Part Number	Description	Quantity Per	
				Package	Assembly
7			NLA - Screw, Hex Head (1/4-20 x 1-1/8")	1	4
8			NLA - Bracket, Standoff, Black	1	2
9			Half Clamp, Non-Threaded Holes	1	2
10			NLA - Half Clamp, Threaded Holes	1	2
11			NLA - WARR RPLMT - Controller, MK5 TAC	1	1
			Screw, Phillips Pan Head Tap (#10-16 x 3/4")	1	1
			NLA - Bracket, Cable/Wire Mounting, Black	1	1
			Lockwasher, External Tooth (#10)	1	1
			NLA - Harness, Drive Lockout Mercury Free Ball Switch	1	2
			Tie Wrap (11-1/2" L)	1	10
			Tie Wrap (5-5/8" L)	1	10
			NLA - Instruction Sheet, MK5 SAC To MK5 TAC Conversion For PTO on Pronto M71/M91	1	1
	D,F	1142589-NLA	Kit, MK5 SAC To MK5 TAC Conversion For Formula PTO Plus on Pronto M71/M91 & TDX	1	1
2			Screw, Hex Head w/ Patch (1/4-20 x 1/2")	1	4
3			NLA - Screw, Phillips Pan Head w/ Patch (#10-32 x 3/8")	1	2
4			Washer (1/4 x 1/2 x 1/16")	1	4
5			Locknut (1/4-20)	1	4
6			NLA - Bracket, Controller Mounting, Black	1	1
7			NLA - Screw, Hex Head (1/4-20 x 1-1/8")	1	4
8			NLA - Bracket, Standoff, Black	1	2
9			Half Clamp, Non-Threaded Holes	1	2
10			NLA - Half Clamp, Threaded Holes	1	2
11			NLA - Controller, MK5 TAC	1	1
			NLA - Harness, Drive Lockout Mercury Free Ball Switch	1	2
			NLA - Bracket, Cable/Wire Mounting, Black	1	1
			Screw, Phillips Pan Head Tap (#10-32 x 3/8")	1	1
			Washer, Steel (3/16 x 7/16 x 1/16")	1	1
			Tie Wrap (11-1/2" L)	1	10
			Tie Wrap (5-5/8" L)	1	10
			NLA - Instruction Sheet, MK5 SAC To MK5 TAC Conversion For Formula PTO Plus on Pronto M71/M91 & TDX	1	1
	D,F	1142589E-NLA	NLA - WARR RPLMT - MK5 SAC To MK5 TAC Conversion Kit For Formula PTO Plus on Pronto M71/M91 & TDX	1	1
2			Screw, Hex Head w/ Patch (1/4-20 x 1/2")	1	4
3			NLA - Screw, Phillips Pan Head w/ Patch (#10-32 x 3/8")	1	2
4			Washer (1/4 x 1/2 x 1/16")	1	4
5			Locknut (1/4-20)	1	4
6			NLA - Bracket, Controller Mounting, Black	1	1

# Electronics - MK5 TAC and Hardware (After 1/05/2006)

(Available only on chairs with PTO and PTO Plus Powered Seating)  
As of (7/1/2009), switches are mercury free.

Item Number	Note	Part Number	Description	Quantity Per	
				Package	Assembly
9			Half Clamp, Non-Threaded Holes	1	2
10			NLA - Half Clamp, Threaded Holes	1	2
11			NLA - WARR RPLMT - Controller, MK5 TAC	1	1
			NLA - Bracket, Cable/Wire Mounting, Black	1	1
			Tie Wrap (5-5/8" L)	1	10
			Screw, Phillips Pan Head Tap (#10-32 x 3/8")	1	1
			Washer, Steel (3/16 x 7/16 x 1/16")	1	1
			NLA - Harness, Drive Lockout Mercury Free Ball Switch	1	2
		1141467-NLA	NLA - Instruction Sheet, MK5 SAC To MK5 TAC Conversion For PTO on Pronto M71/M91	1	1
		1141483-NLA	NLA - Instruction Sheet, MK5 SAC To MK5 TAC Conversion For Formula PTO Plus on Pronto M71/M91 & TDX	1	1
	D,G	1106544-NLA	NLA - Kit, Switch Clip with Mounting Hardware	1	2
			NLA - Bracket, Cable/Wire Mounting, Black	1	1
			Screw, Phillips Pan Head Tap (#10-16 x 3/4")	1	1
			Lockwasher, External Tooth (#10)	1	1
	D,H	1128387-NLA	NLA - Kit, Switch Mounting Hardware	1	2
			NLA - Bracket, Cable/Wire Mounting, Black	1	1
			Washer, Steel (3/16 x 7/16 x 1/16")	1	1
			Screw, Phillips Pan Head Tap (#10-32 x 3/8")	1	1
	D	1080634-NLA	NLA - Harness, Drive Lockout Mercury Free Ball Switch	1	2
	D	1095503-NLA	NLA - Package, Tie Wrap (5-5/8" L)	10	1
	D	1095502-NLA	NLA - Package, Tie Wrap (11-1/2" L)	10	1
<p>NOTE: A - Used for models with on-board chargers            B - When converting a MK5 SAC to a MK5 TAC on a PTO Powered Seating System, refer to the conversion kit part # 1142587            C - When converting a MK5 SAC to a MK5 TAC on a PTO "Plus" Powered Seating System, refer to the conversion kit part # 1142589            D - Not Shown            E - Components for kit part # 1142587 uses items 2-11, (part #'s 1080634, 0062800, 0065706, 1077143), Cable Ties and Instruction Sheet            F - Components for kit part # 1142589 uses items 2-11, (part #'s 1080634, 0062800, 1028516, 1022597), Cable Ties and Instruction Sheet            G - Switch Clip and Hardware Kit part # 1106544 Bill Of Material is found within SAC To TAC conversion kit part # 1142587            H - Switch Clip and Hardware Kit part # 1128387 Bill Of Material is found within SAC To TAC conversion kit part # 1142589            J - Includes items 2-10</p>					
Effective (07/01/2009), switches are mercury free.					