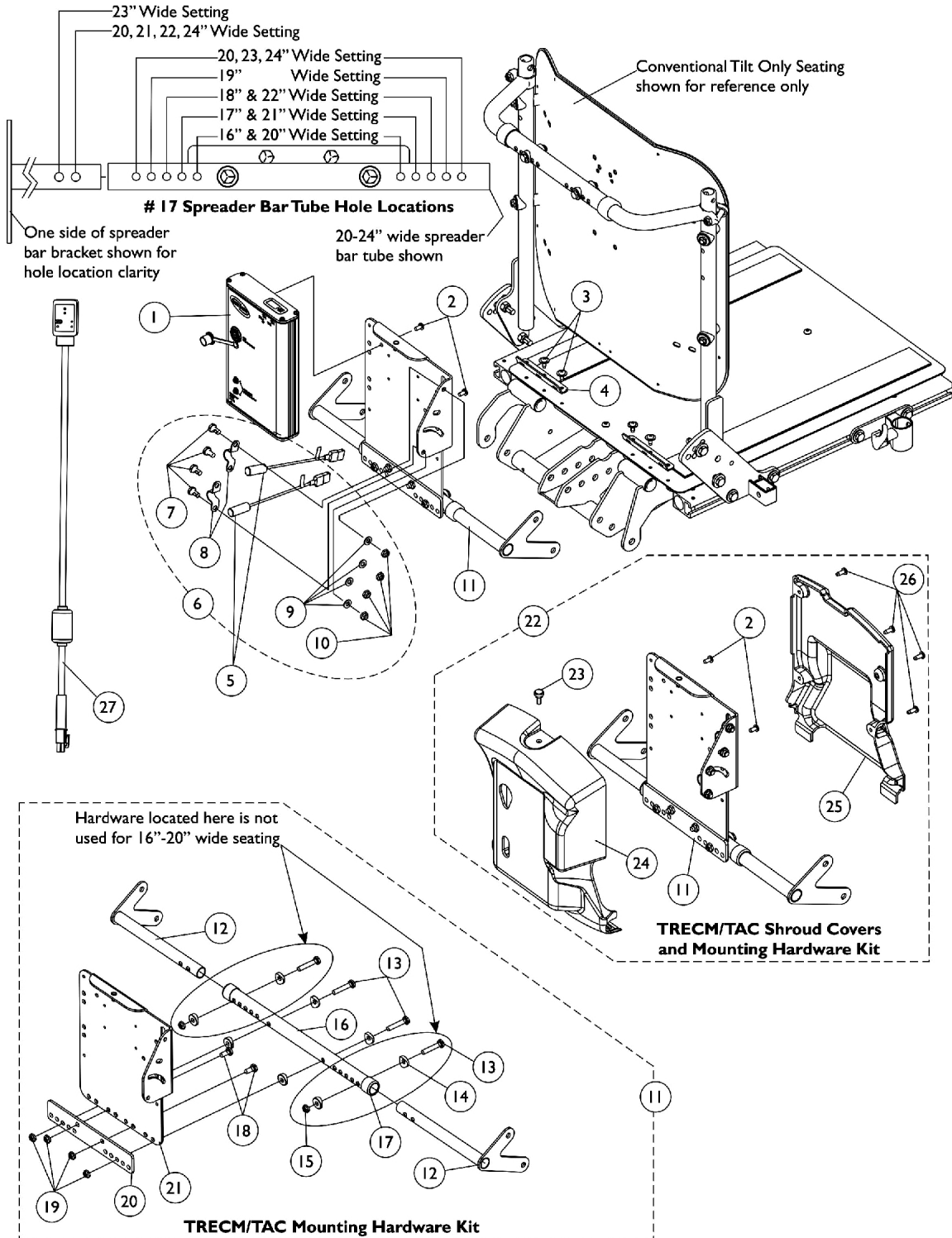


# MK5 TAC, Shroud Cover, Mercury Free Switches and Mounting Hardware

## Conventional Tilt & Tilt w/ BPO Option

(After 1/25/06)

As of 7/1/2009, switches are mercury free.



# MK5 TAC, Shroud Cover, Mercury Free Switches and Mounting Hardware

## Conventional Tilt & Tilt w/ BPO Option (After 1/25/06)

As of 7/1/2009, switches are mercury free.

Item Number	Note	Part Number	Description	Quantity Per	
				Package	Assembly
1	F	1118728-NLA	NLA - Controller, MK5 TAC	1	1
2		1079316-NLA	NLA - Screw, Phillips Pan Head w/ Patch (#10-32 x 3/8")	1	2
3		1114308	Screw, Phillips Pan Head Tap (#10-32 x 1/2")	1	4
4		1125647-NLA	NLA - Bracket, Seat Pan Wiring, Black	1	2
5		1080634-NLA	NLA - Harness, Drive Lockout Mercury Free Ball Switch	1	2
6	A	1125730	NLA - Kit, Drive Lockout/Recline Switch Mounting Hardware	2	1
7			Screw, Hex Head w/ Patch (1/4-20 x 1/2")	1	4
8			NLA - Bracket, Switch Mounting, Black	1	2
9			Washer (1/4 x 1/2 x 1/16")	1	4
10			Locknut (1/4-20)	1	4
6	A	1125770-NLA	NLA - Kit, Switch Mounting Hardware	1	2
7			Screw, Hex Head w/ Patch (1/4-20 x 1/2")	1	2
8			NLA - Bracket, Switch Mounting, Black	1	1
9			Washer (1/4 x 1/2 x 1/16")	1	2
10			Locknut (1/4-20)	1	2
11	B	1140266-NLA	NLA - Kit, TRECM/TAC/MK6i Connector Shroud Mtg. Hdwr. 16-20" Wide For Conventional Tilt Only	1	1
12			Bracket, Spreader Bar, Black - Right	1	1
12			Bracket, Spreader Bar, Black - Left	1	1
13			Screw, Hex Head (1/4-20 x 1-1/2")	1	2
14			Spacer, Coved (1/4 x 11/16 x 1/2")	1	4
16			Tube, Spreader Bar, Black (16 - 20" W)	1	1
17			Collar, Anti-Rattle (7/8")	1	2
18			Screw, Hex Head (1/4-20 x 5/8")	1	2
19			Locknut (1/4-20)	1	4
20			Plate, Mounting	1	1
21			NLA - TRECM/SAC/TAC/MK6i Connector Shroud Mounting Tray Assembly	1	1
11	C	1140267-NLA	NLA - Kit, TRECM/TAC/MK6i Connector Shroud Mtg. Hdwr. 20-24" Wide For Conventional Tilt Only	1	1
12			Bracket, Spreader Bar, Black - Right	1	1
12			Bracket, Spreader Bar, Black - Left	1	1
13			Screw, Hex Head (1/4-20 x 1-1/2")	1	4
14			Spacer, Coved (1/4 x 11/16 x 1/2")	1	8
15			Locknut (1/4-20)	1	2
16			Tube, Spreader Bar, Black (20 - 24" W)	1	1
17			Collar, Anti-Rattle (7/8")	1	2
18			Screw, Hex Head (1/4-20 x 5/8")	1	2
19			Locknut (1/4-20)	1	4

# MK5 TAC, Shroud Cover, Mercury Free Switches and Mounting Hardware

## Conventional Tilt & Tilt w/ BPO Option (After 1/25/06)

As of 7/1/2009, switches are mercury free.

Item Number	Note	Part Number	Description	Quantity Per	
				Package	Assembly
20			Plate, Mounting	1	1
21			NLA - TRECM/SAC/TAC/MK6i Connector Shroud Mounting Tray Assembly	1	1
22	D	1140268	NLA - Kit, TRECM/TAC/MK6i Connector Shrouds and Mtg. Hdwr. 16-20" Wide For Conventional Tilt Only	1	1
2			NLA - Screw, Phillips Pan Head w/ Patch (#10-32 x 3/8")	1	2
12			Bracket, Spreader Bar, Black - Right	1	1
12			Bracket, Spreader Bar, Black - Left	1	1
13			Screw, Hex Head (1/4-20 x 1-1/2")	1	2
14			Spacer, Coved (1/4 x 11/16 x 1/2")	1	4
16			Tube, Spreader Bar, Black (16 - 20" W)	1	1
17			Collar, Anti-Rattle (7/8")	1	2
18			Screw, Hex Head (1/4-20 x 5/8")	1	2
19			Locknut (1/4-20)	1	4
20			Plate, Mounting	1	1
21			NLA - TRECM/SAC/TAC/MK6i Connector Shroud Mounting Tray Assembly	1	1
23			Screw, Thumb (#10-32 x 1/2")	1	1
24			NLA - Shroud, Cover	1	1
25			Shroud, Back	1	1
26			Screw, Phillips Pan Head Tap (#10-32 x 1/2")	1	4
22	E	1140269	NLA - Kit, TRECM/TAC/MK6i Connector Shrouds and Mtg. Hdwr. 20-24" Wide For Conventional Tilt Only	1	1
2			NLA - Screw, Phillips Pan Head w/ Patch (#10-32 x 3/8")	1	2
12			Bracket, Spreader Bar, Black - Right	1	1
12			Bracket, Spreader Bar, Black - Left	1	1
13			Screw, Hex Head (1/4-20 x 1-1/2")	1	4
14			Spacer, Coved (1/4 x 11/16 x 1/2")	1	8
15			Locknut (1/4-20)	1	2
16			Tube, Spreader Bar, Black (20 - 24" W)	1	1
17			Collar, Anti-Rattle (7/8")	1	2
18			Screw, Hex Head (1/4-20 x 5/8")	1	2
19			Locknut (1/4-20)	1	4
20			Plate, Mounting	1	1
21			NLA - TRECM/SAC/TAC/MK6i Connector Shroud Mounting Tray Assembly	1	1
23			Screw, Thumb (#10-32 x 1/2")	1	1
24			NLA - Shroud, Cover	1	1

# MK5 TAC, Shroud Cover, Mercury Free Switches and Mounting Hardware

## Conventional Tilt & Tilt w/ BPO Option (After 1/25/06)

As of 7/1/2009, switches are mercury free.

Item Number	Note	Part Number	Description	Quantity Per	
				Package	Assembly
25			Shroud, Back	1	1
26			Screw, Phillips Pan Head Tap (#10-32 x 1/2")	1	4
27		1119418	Cable, Auxiliary Power	1	1
	G	1142597-NLA	Kit, MK5 SAC To MK5 TAC Conversion For (Formula Contoura Tilt or Recline) & (Conventional Tilt) on TDX	1	1
1			NLA - Controller, MK5 TAC	1	1
2			NLA - Screw, Phillips Pan Head w/ Patch (#10-32 x 3/8")	1	2
5			NLA - Harness, Drive Lockout Mercury Free Ball Switch	1	2
7			Screw, Hex Head w/ Patch (1/4-20 x 1/2")	1	10
8			NLA - Bracket, Switch Mounting, Black	1	1
9			Washer (1/4 x 1/2 x 1/16")	1	10
10			Locknut (1/4-20)	1	10
			Bracket, Mercury Switch Mounting, Black	1	1
			NLA - Bracket, Controller Mounting, Black	1	1
			NLA - Screw, Hex Head (1/4-20 x 1-1/8")	1	4
			NLA - Bracket, Standoff, Black	1	2
			Half Clamp, Non-Threaded Holes	1	2
			NLA - Half Clamp, Threaded Holes	1	2
			Tie Wrap (11-1/2" L)	1	10
			Tie Wrap (5-5/8" L)	1	10
			NLA - Instruction Sheet, MK5 SAC To MK5 TAC Conversion For Formula (Contoura Tilt or Recline) & (Conventional Tilt or Recline) on TDX	1	1
	G	1142597E-NLA	NLA - Reconditioned - MK5 SAC To MK5 TAC Conversion Kit For (Formula Contoura Tilt or Recline) & (Conventional Tilt) on TDX	1	1
1			NLA - WARR RPLMT - Controller, MK5 TAC	1	1
2			NLA - Screw, Phillips Pan Head w/ Patch (#10-32 x 3/8")	1	2
5			NLA - Harness, Drive Lockout Mercury Free Ball Switch	1	2
7			Screw, Hex Head w/ Patch (1/4-20 x 1/2")	1	4
8			NLA - Bracket, Switch Mounting, Black	1	1
9			Washer (1/4 x 1/2 x 1/16")	1	4
10			Locknut (1/4-20)	1	4
			Bracket, Mercury Switch Mounting, Black	1	1
			Tie Wrap (5-5/8" L)	1	10
			NLA - Instruction Sheet, MK5 SAC To MK5 TAC Conversion For Formula (Contoura Tilt or Recline) & (Conventional Tilt or Recline) on TDX	1	1

# MK5 TAC, Shroud Cover, Mercury Free Switches and Mounting Hardware

## Conventional Tilt & Tilt w/ BPO Option (After 1/25/06)

As of 7/1/2009, switches are mercury free.

Item Number	Note	Part Number	Description	Quantity Per	
				Package	Assembly
			Screw, Hex Head w/ Patch (1/4-20 x 1/2")	1	4
			NLA - Screw, Phillips Pan Head w/ Patch (#10-32 x 3/8")	1	2
			Washer (1/4 x 1/2 x 1/16")	1	4
			Locknut (1/4-20)	1	4
			NLA - Bracket, Controller Mounting, Black	1	1
			NLA - Screw, Hex Head (1/4-20 x 1-1/8")	1	4
			NLA - Bracket, Standoff, Black	1	2
			Half Clamp, Non-Threaded Holes	1	2
			NLA - Half Clamp, Threaded Holes	1	2
			Tie Wrap (11-1/2" L)	1	10
	H	1095503-NLA	NLA - Package, Tie Wrap (5-5/8" L)	10	1
	H	1095502-NLA	NLA - Package, Tie Wrap (11-1/2" L)	10	1
	H	1141486-NLA	NLA - Instruction Sheet, MK5 SAC To MK5 TAC Conversion For Formula (Contoura Tilt or Recline) & (Conventional Tilt or Recline) on TDX	1	1
<p>NOTE: A - Includes items 7-10            B - Includes items 12-14 and 16-21            C - Includes items 12-21            D - Includes items 2, 12-14, 16-21 and 23-26            E - Includes items 2, 12-21 and 23-26            F - When converting a MK5 SAC to a MK5 TAC, refer to the Conversion Kit part # 1142597. Conversion Kit includes all parts needed to convert a (Contoura Recline Only, Contoura Tilt Only or Conventional Tilt Only)            G - Not Shown. Kit components for a Conventional Tilt Only uses items 1, 2, 5, 7-10, Cable Ties and Instruction Sheet            H - Not Shown</p>					
Effective (7/1/2009), switches are mercury free.					