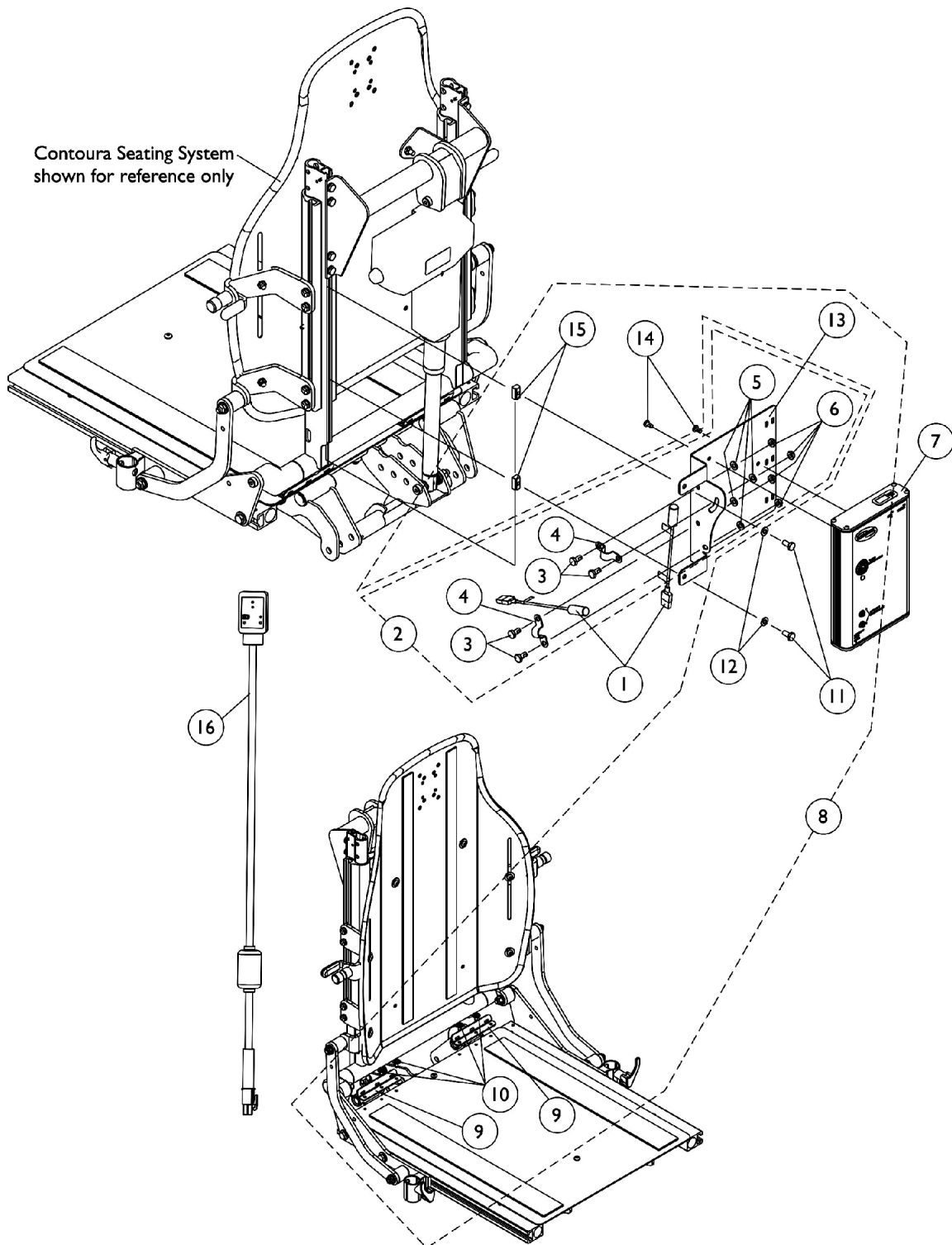


# MK5 TAC, Switches and Mounting Hardware

## Contoura Recline Only & Contoura Tilt Only (After 1/5/06)

As of 7/1/2009, switches are mercury free.



# MK5 TAC, Switches and Mounting Hardware

## Contoura Recline Only & Contoura Tilt Only (After 1/5/06)

As of 7/1/2009, switches are mercury free.

| Item Number | Note | Part Number | Description  | Quantity Per |          |
|-------------|------|-------------|--|--------------|----------|
|             |      |             |  | Package      | Assembly |
| 1           |      | 1080634-NLA | NLA - Harness, Drive Lockout Mercury Free Ball Switch  | 1            | 2        |
| 2           | A    | 1125730     | NLA - Kit, Drive Lockout/Recline Switch Mounting Hardware  | 2            | 1        |
| 3           |      |             | Screw, Hex Head w/ Patch (1/4-20 x 1/2")   | 1            | 4        |
| 4           |      |             | NLA - Bracket, Switch Mounting, Black  | 1            | 2        |
| 5           |      |             | Washer (1/4 x 1/2 x 1/16")   | 1            | 4        |
| 6           |      |             | Locknut (1/4-20)   | 1            | 4        |
| 7           | C    | 1118728-NLA | NLA - Controller, MK5 TAC  | 1            | 1        |
| 2           | A    | 1125770-NLA | NLA - Kit, Switch Mounting Hardware  | 1            | 2        |
| 3           |      |             | Screw, Hex Head w/ Patch (1/4-20 x 1/2")   | 1            | 2        |
| 4           |      |             | NLA - Bracket, Switch Mounting, Black  | 1            | 1        |
| 5           |      |             | Washer (1/4 x 1/2 x 1/16")   | 1            | 2        |
| 6           |      |             | Locknut (1/4-20)   | 1            | 2        |
| 8           | B    | 1125732     | NLA - Kit, TRECM/TAC Mounting Hardware Contoura  | 1            | 1        |
| 9           |      |             | NLA - Bracket, Seat Pan Wiring, Black  | 1            | 2        |
| 10          |      |             | Screw, Phillips Pan Head Tap (#10-32 x 1/2")   | 1            | 4        |
| 11          |      |             | Screw, Hex Head w/ Patch (1/4-20 x 1/2")   | 1            | 2        |
| 12          |      |             | Washer (1/4 x 1/2 x 1/16")   | 1            | 2        |
| 13          |      |             | NLA - Bracket, Mounting, Black   | 1            | 1        |
| 14          |      |             | NLA - Screw, Phillips Pan Head w/ Patch (#10-32 x 3/8")  | 1            | 2        |
| 15          |      |             | T-Nut (1/4-20)   | 1            | 2        |
| 14          |      | 1079316-NLA | NLA - Screw, Phillips Pan Head w/ Patch (#10-32 x 3/8")  | 1            | 2        |
| 16          |      | 1119418     | Cable, Auxiliary Power   | 1            | 1        |
|             | D    | 1142597-NLA | Kit, MK5 SAC To MK5 TAC Conversion For (Formula Contoura Tilt or Recline) & (Conventional Tilt) on TDX | 1            | 1        |
| 1           |      |             | NLA - Harness, Drive Lockout Mercury Free Ball Switch  | 1            | 2        |
| 3           |      |             | Screw, Hex Head w/ Patch (1/4-20 x 1/2")   | 1            | 10       |
| 4           |      |             | NLA - Bracket, Switch Mounting, Black  | 1            | 1        |
| 5           |      |             | Washer (1/4 x 1/2 x 1/16")   | 1            | 10       |
| 6           |      |             | Locknut (1/4-20)   | 1            | 10       |
| 7           |      |             | NLA - Controller, MK5 TAC  | 1            | 1        |
| 14          |      |             | NLA - Screw, Phillips Pan Head w/ Patch (#10-32 x 3/8")  | 1            | 2        |
|             |      |             | Bracket, Mercury Switch Mounting, Black  | 1            | 1        |
|             |      |             | NLA - Bracket, Controller Mounting, Black  | 1            | 1        |

# MK5 TAC, Switches and Mounting Hardware

## Contoura Recline Only & Contoura Tilt Only (After 1/5/06)

As of 7/1/2009, switches are mercury free.

| Item Number | Note | Part Number  | Description   | Quantity Per |          |
|-------------|------|--------------|---|--------------|----------|
|             |      |              |   | Package      | Assembly |
|             |      |              | NLA - Screw, Hex Head (1/4-20 x 1-1/8")   | 1            | 4        |
|             |      |              | NLA - Bracket, Standoff, Black  | 1            | 2        |
|             |      |              | Half Clamp, Non-Threaded Holes  | 1            | 2        |
|             |      |              | NLA - Half Clamp, Threaded Holes  | 1            | 2        |
|             |      |              | Tie Wrap (11-1/2" L)  | 1            | 10       |
|             |      |              | Tie Wrap (5-5/8" L)   | 1            | 10       |
|             |      |              | NLA - Instruction Sheet, MK5 SAC To MK5 TAC Conversion For Formula (Contoura Tilt or Recline) & (Conventional Tilt or Recline) on TDX | 1            | 1        |
|             | D    | 1142597E-NLA | NLA - Reconditioned - MK5 SAC To MK5 TAC Conversion Kit For (Formula Contoura Tilt or Recline) & (Conventional Tilt) on TDX           | 1            | 1        |
| 1           |      |              | NLA - WARR RPLMT - Controller, MK5 TAC  | 1            | 1        |
| 2           |      |              | NLA - Screw, Phillips Pan Head w/ Patch (#10-32 x 3/8")   | 1            | 2        |
| 5           |      |              | NLA - Harness, Drive Lockout Mercury Free Ball Switch   | 1            | 2        |
| 7           |      |              | Screw, Hex Head w/ Patch (1/4-20 x 1/2")  | 1            | 4        |
| 8           |      |              | NLA - Bracket, Switch Mounting, Black   | 1            | 1        |
| 9           |      |              | Washer (1/4 x 1/2 x 1/16")  | 1            | 4        |
| 10          |      |              | Locknut (1/4-20)  | 1            | 4        |
|             |      |              | Bracket, Mercury Switch Mounting, Black   | 1            | 1        |
|             |      |              | Tie Wrap (5-5/8" L)   | 1            | 10       |
|             |      |              | NLA - Instruction Sheet, MK5 SAC To MK5 TAC Conversion For Formula (Contoura Tilt or Recline) & (Conventional Tilt or Recline) on TDX | 1            | 1        |
|             |      |              | Screw, Hex Head w/ Patch (1/4-20 x 1/2")  | 1            | 4        |
|             |      |              | NLA - Screw, Phillips Pan Head w/ Patch (#10-32 x 3/8")   | 1            | 2        |
|             |      |              | Washer (1/4 x 1/2 x 1/16")  | 1            | 4        |
|             |      |              | Locknut (1/4-20)  | 1            | 4        |
|             |      |              | NLA - Bracket, Controller Mounting, Black   | 1            | 1        |
|             |      |              | NLA - Screw, Hex Head (1/4-20 x 1-1/8")   | 1            | 4        |
|             |      |              | NLA - Bracket, Standoff, Black  | 1            | 2        |
|             |      |              | Half Clamp, Non-Threaded Holes  | 1            | 2        |
|             |      |              | NLA - Half Clamp, Threaded Holes  | 1            | 2        |
|             |      |              | Tie Wrap (11-1/2" L)  | 1            | 10       |
|             | E    | 1095503-NLA  | NLA - Package, Tie Wrap (5-5/8" L)  | 10           | 1        |
|             | E    | 1095502-NLA  | NLA - Package, Tie Wrap (11-1/2" L)   | 10           | 1        |
|             | E    | 1141486-NLA  | NLA - Instruction Sheet, MK5 SAC To MK5 TAC Conversion For Formula (Contoura Tilt or Recline) & (Conventional Tilt or Recline) on TDX | 1            | 1        |

# **MK5 TAC, Switches and Mounting Hardware**

## **Contoura Recline Only & Contoura Tilt Only (After 1/5/06)**

**As of 7/1/2009, switches are mercury free.**

NOTE: A - Includes items 3-7  
B - Includes items 9-15  
C - When converting a MK5 SAC to a MK5 TAC, refer to the Conversion Kit part # 1142597. Conversion Kit includes all parts needed to convert a (Contoura Recline Only, Contoura Tilt Only or Conventional Tilt Only)  
D - Not Shown. Kit components for a Contoura Tilt Only or Recline Only uses items 1, 3-7 and 14, Cable Ties and Instruction Sheet  
E - Not Shown