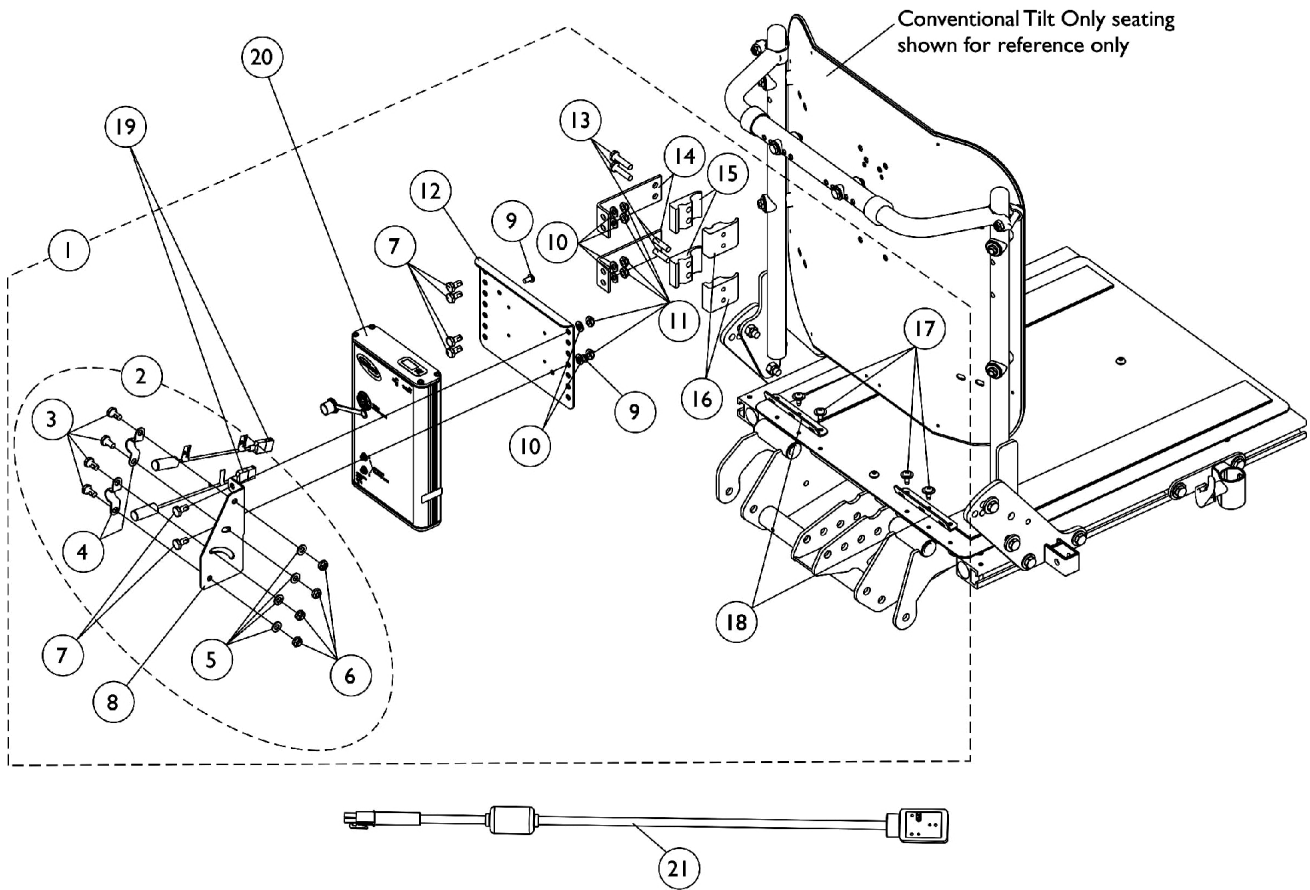


MK5 TAC, Mercury Free Switches and Mounting Hardware

Conventional Tilt & Tilt w/ BPO Option

(1/6/06-1/25/06)

As of (7/1/2009), switches are mercury free.



MK5 TAC, Mercury Free Switches and Mounting Hardware

Conventional Tilt & Tilt w/ BPO Option

(1/6/06-1/25/06)

As of (7/1/2009), switches are mercury free.

Item Number	Note	Part Number	Description	Quantity Per	
				Package	Assembly
1	A	1128359-NLA	NLA - Kit, TREC/M/TAC and Switch Mounting Hardware	1	1
3			Screw, Hex Head w/ Patch (1/4-20 x 1/2")	1	4
4			NLA - Bracket, Switch Mounting, Black	1	2
5			Washer (1/4 x 1/2 x 1/16")	1	4
6			Locknut (1/4-20)	1	4
7			Screw, Hex Head w/ Patch (1/4-20 x 1/2")	1	6
8			Bracket, Mercury Switch Mounting, Black	1	1
9			NLA - Screw, Phillips Pan Head w/ Patch (#10-32 x 3/8")	1	2
10			Washer (1/4 x 1/2 x 1/16")	1	6
11			Locknut (1/4-20)	1	6
12			NLA - Bracket, Controller Mounting, Black	1	1
13			NLA - Screw, Hex Head (1/4-20 x 1-1/8")	1	4
14			NLA - Bracket, Standoff, Black	1	2
15			Half Clamp, Non-Threaded Holes	1	2
16			NLA - Half Clamp, Threaded Holes	1	2
17			Screw, Phillips Pan Head Tap (#10-32 x 1/2")	1	4
18			NLA - Bracket, Seat Pan Wiring, Black	1	2
19		1080634-NLA	NLA - Harness, Drive Lockout Mercury Free Ball Switch	1	2
20	C	1118728-NLA	NLA - Controller, MK5 TAC	1	1
2	B	1125730	NLA - Kit, Drive Lockout/Recline Switch Mounting Hardware	2	1
3			Screw, Hex Head w/ Patch (1/4-20 x 1/2")	1	4
4			NLA - Bracket, Switch Mounting, Black	1	2
5			Washer (1/4 x 1/2 x 1/16")	1	4
6			Locknut (1/4-20)	1	4
2	B	1125770-NLA	NLA - Kit, Switch Mounting Hardware	1	2
3			Screw, Hex Head w/ Patch (1/4-20 x 1/2")	1	2
4			NLA - Bracket, Switch Mounting, Black	1	1
5			Washer (1/4 x 1/2 x 1/16")	1	2
6			Locknut (1/4-20)	1	2
9		1079316-NLA	NLA - Screw, Phillips Pan Head w/ Patch (#10-32 x 3/8")	1	2
21		1119418	Cable, Auxiliary Power	1	1
	D	1142597-NLA	Kit, MK5 SAC To MK5 TAC Conversion For (Formula Contoura Tilt or Recline) & (Conventional Tilt) on TDX	1	1
3,7			Screw, Hex Head w/ Patch (1/4-20 x 1/2")	1	10
4			NLA - Bracket, Switch Mounting, Black	1	1
5,10			Washer (1/4 x 1/2 x 1/16")	1	10
6,11			Locknut (1/4-20)	1	10

MK5 TAC, Mercury Free Switches and Mounting Hardware

Conventional Tilt & Tilt w/ BPO Option

(1/6/06-1/25/06)

As of (7/1/2009), switches are mercury free.

Item Number	Note	Part Number	Description	Quantity Per	
				Package	Assembly
8			Bracket, Mercury Switch Mounting, Black	1	1
9			NLA - Screw, Phillips Pan Head w/ Patch (#10-32 x 3/8")	1	2
12			NLA - Bracket, Controller Mounting, Black	1	1
13			NLA - Screw, Hex Head (1/4-20 x 1-1/8")	1	4
14			NLA - Bracket, Standoff, Black	1	2
15			Half Clamp, Non-Threaded Holes	1	2
16			NLA - Half Clamp, Threaded Holes	1	2
19			NLA - Harness, Drive Lockout Mercury Free Ball Switch	1	2
20			NLA - Controller, MK5 TAC	1	1
			Tie Wrap (11-1/2" L)	1	10
			Tie Wrap (5-5/8" L)	1	10
			NLA - Instruction Sheet, MK5 SAC To MK5 TAC Conversion For Formula (Contoura Tilt or Recline) & (Conventional Tilt or Recline) on TDX	1	1
	D	1142597E-NLA	NLA - Reconditioned - MK5 SAC To MK5 TAC Conversion Kit For (Formula Contoura Tilt or Recline) & (Conventional Tilt) on TDX	1	1
1			NLA - WARR RPLMT - Controller, MK5 TAC	1	1
2			NLA - Screw, Phillips Pan Head w/ Patch (#10-32 x 3/8")	1	2
5			NLA - Harness, Drive Lockout Mercury Free Ball Switch	1	2
7			Screw, Hex Head w/ Patch (1/4-20 x 1/2")	1	4
8			NLA - Bracket, Switch Mounting, Black	1	1
9			Washer (1/4 x 1/2 x 1/16")	1	4
10			Locknut (1/4-20)	1	4
			Bracket, Mercury Switch Mounting, Black	1	1
			Tie Wrap (5-5/8" L)	1	10
			NLA - Instruction Sheet, MK5 SAC To MK5 TAC Conversion For Formula (Contoura Tilt or Recline) & (Conventional Tilt or Recline) on TDX	1	1
			Screw, Hex Head w/ Patch (1/4-20 x 1/2")	1	4
			NLA - Screw, Phillips Pan Head w/ Patch (#10-32 x 3/8")	1	2
			Washer (1/4 x 1/2 x 1/16")	1	4
			Locknut (1/4-20)	1	4
			NLA - Bracket, Controller Mounting, Black	1	1
			NLA - Screw, Hex Head (1/4-20 x 1-1/8")	1	4
			NLA - Bracket, Standoff, Black	1	2
			Half Clamp, Non-Threaded Holes	1	2
			NLA - Half Clamp, Threaded Holes	1	2
			Tie Wrap (11-1/2" L)	1	10

MK5 TAC, Mercury Free Switches and Mounting Hardware

Conventional Tilt & Tilt w/ BPO Option

(1/6/06-1/25/06)

As of (7/1/2009), switches are mercury free.

Item Number	Note	Part Number	Description	Quantity Per	
				Package	Assembly
	E	1095502-NLA	NLA - Package, Tie Wrap (11-1/2" L)	10	1
	E	1095503-NLA	NLA - Package, Tie Wrap (5-5/8" L)	10	1
	E	1141486-NLA	NLA - Instruction Sheet, MK5 SAC To MK5 TAC Conversion For Formula (Contoura Tilt or Recline) & (Conventional Tilt or Recline) on TDX	1	1
<p>NOTE: A - Includes items 3-18 B - Includes items 3-6 C - When converting a MK5 SAC to a MK5 TAC, refer to the Conversion Kit part # 1142597. Conversion Kit includes all parts needed to convert a (Contoura Recline Only, Contoura Tilt Only or Conventional Tilt Only) D - Not Shown. Kit components used for a Conventional Tilt includes items 3-16, 19, 20, Cable Ties and Instruction Sheet E - Not Shown</p> <p>Mounting hardware accommodates the Personal Back 10 and DualFlex Backs from Invacare.</p>					