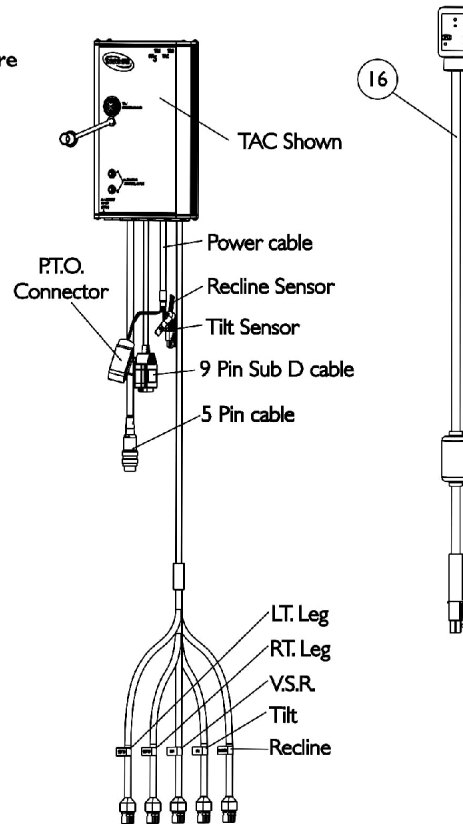
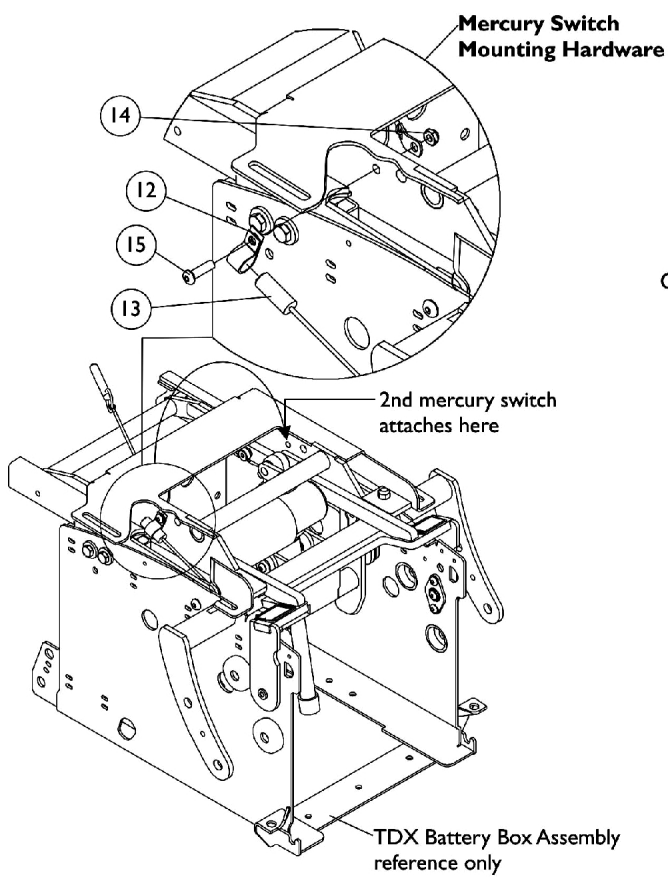
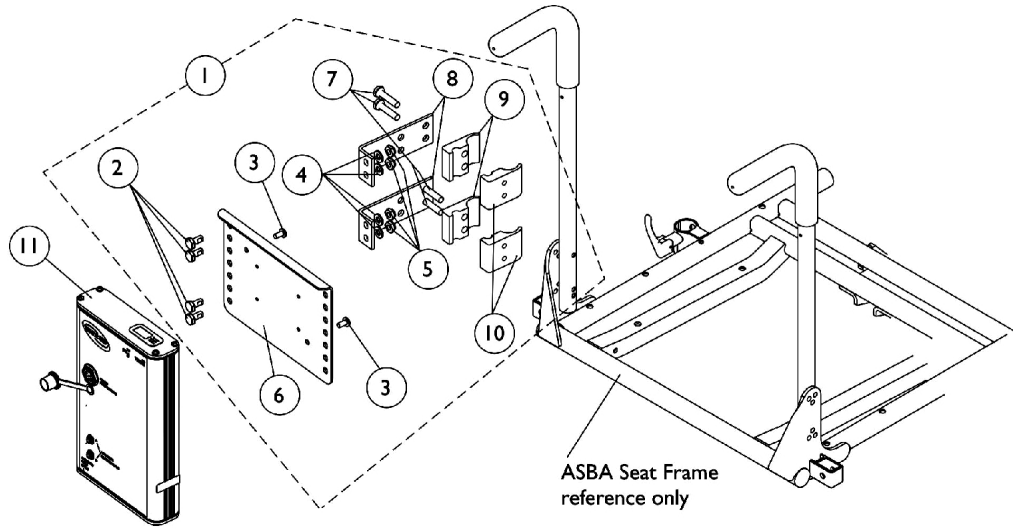


MK5 TAC and Mounting Hardware

For MK5 SAC To MK5 TAC Conversion

As of 7/1/2009, switches are mercury free.



MK5 TAC and Mounting Hardware

For MK5 SAC To MK5 TAC Conversion

As of 7/1/2009, switches are mercury free.

Item Number	Note	Part Number	Description	Quantity Per			
				Package	Assembly		
1	D	1142600-NLA	NLA - Kit, MK5 TAC/TRECM Mounting Hardware	1	1		
2			Screw, Hex Head w/ Patch (1/4-20 x 1/2")	1	4		
3			NLA - Screw, Phillips Pan Head w/ Patch (#10-32 x 3/8")	1	2		
4			Washer (1/4 x 1/2 x 1/16")	1	4		
5			Locknut (1/4-20)	1	4		
6			NLA - Bracket, Controller Mounting, Black	1	1		
7			NLA - Screw, Hex Head (1/4-20 x 1-1/8")	1	4		
8			NLA - Bracket, Standoff, Black	1	2		
9			Half Clamp, Non-Threaded Holes	1	2		
10			NLA - Half Clamp, Threaded Holes	1	2		
11			A	1118728-NLA	NLA - Controller, MK5 TAC	1	1
12				0062800-NLA	NLA - Bracket, Cable/Wire Mounting, Black	1	2
13				1080634-NLA	NLA - Harness, Drive Lockout Mercury Free Ball Switch	1	2
14				1025195	Locknut (1/4-20)	1	2
15			B	1028410-NLA	NLA - Screw, Socket Button Head (1/4-20 x 7/8")	1	2
16				1119418	Cable, Auxiliary Power	1	1
	1142591-NLA	Kit, MK5 SAC To MK5 TAC Conversion For Formula Invisible Super Low Tilt on TDX		1	1		
2	Screw, Hex Head w/ Patch (1/4-20 x 1/2")	1		4			
3	NLA - Screw, Phillips Pan Head w/ Patch (#10-32 x 3/8")	1		2			
4	Washer (1/4 x 1/2 x 1/16")	1		4			
5,14	Locknut (1/4-20)	1		5			
6	NLA - Bracket, Controller Mounting, Black	1		1			
7	NLA - Screw, Hex Head (1/4-20 x 1-1/8")	1		4			
8	NLA - Bracket, Standoff, Black	1		2			
9	Half Clamp, Non-Threaded Holes	1		2			
10	NLA - Half Clamp, Threaded Holes	1		2			
11	NLA - Controller, MK5 TAC	1		1			
12	NLA - Bracket, Cable/Wire Mounting, Black	1		1			
13	NLA - Harness, Drive Lockout Mercury Free Ball Switch	1		2			
15	NLA - Screw, Socket Button Head (1/4-20 x 7/8")	1	1				
			Tie Wrap (11-1/2" L)	1	10		
			Tie Wrap (5-5/8" L)	1	10		
			NLA - Instruction Sheet, MK5 SAC To MK5 TAC Conversion For Formula Invisible Super Low Tilt on TDX	1	1		
	B	1142591E-NLA	NLA - Reconditioned - MK5 SAC To MK5 TAC Conversion Kit For Formula Invisible Super Low Tilt on TDX	1	1		
2			Screw, Hex Head w/ Patch (1/4-20 x 1/2")	1	4		
3			NLA - Screw, Phillips Pan Head w/ Patch (#10-32 x 3/8")	1	2		
4			Washer (1/4 x 1/2 x 1/16")	1	4		

MK5 TAC and Mounting Hardware

For MK5 SAC To MK5 TAC Conversion

As of 7/1/2009, switches are mercury free.

Item Number	Note	Part Number	Description	Quantity Per	
				Package	Assembly
5			Locknut (1/4-20)	1	5
6			NLA - Bracket, Controller Mounting, Black	1	1
7			NLA - Screw, Hex Head (1/4-20 x 1-1/8")	1	4
8			NLA - Bracket, Standoff, Black	1	2
9			Half Clamp, Non-Threaded Holes	1	2
10			NLA - Half Clamp, Threaded Holes	1	2
11			NLA - WARR RPLMT - Controller, MK5 TAC	1	1
12			NLA - Bracket, Cable/Wire Mounting, Black	1	1
13			NLA - Harness, Drive Lockout Mercury Free Ball Switch	1	2
15			NLA - Screw, Socket Button Head (1/4-20 x 7/8")	1	1
			Tie Wrap (11-1/2" L)	1	10
			Tie Wrap (5-5/8" L)	1	10
			NLA - Instruction Sheet, MK5 SAC To MK5 TAC Conversion For Formula Invisible Super Low Tilt on TDX	1	1
	C	1095503-NLA	NLA - Package, Tie Wrap (5-5/8" L)	10	1
	C	1095502-NLA	NLA - Package, Tie Wrap (11-1/2" L)	10	1
	C	1141484-NLA	NLA - Instruction Sheet, MK5 SAC To MK5 TAC Conversion For Formula Invisible Super Low Tilt on TDX	1	1

NOTE: A - When converting a MK5 SAC to a MK5 TAC, refer to the Conversion Kit part # 1142591. Conversion Kit includes all parts needed to convert a (Formula Invisible Super Low Tilt on TDX)
 B - Not Shown. Kit components for a Formula Invisible Super Low Tilt on TDX uses items 2-15, Cable Ties and Instruction Sheet
 C - Not Shown
 D - Includes items 2-10