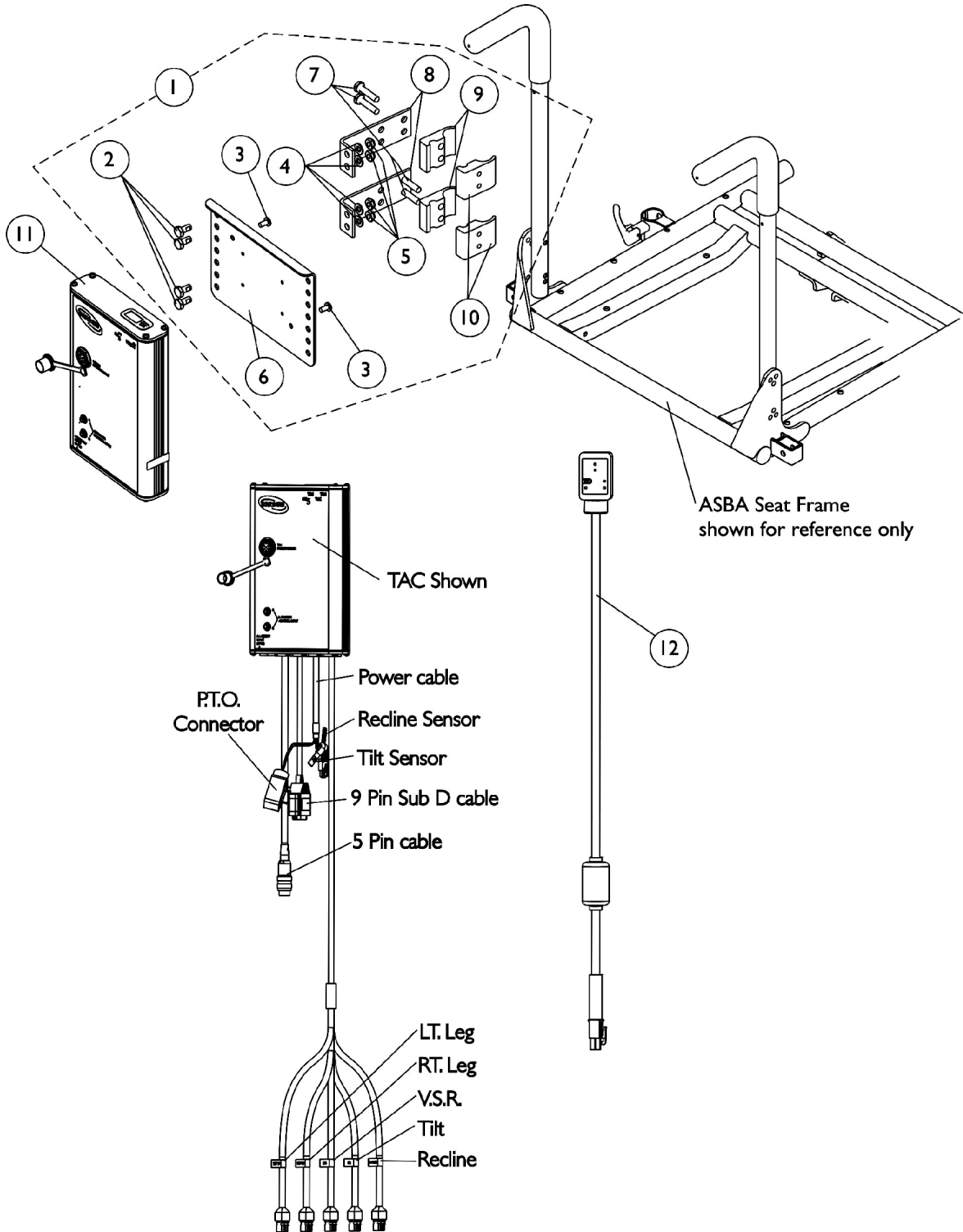


MK5 TAC and Mounting Hardware

As of (7/1/2009), switches are mercury free.



MK5 TAC and Mounting Hardware

As of (7/1/2009), switches are mercury free.

Item Number	Note	Part Number	Description	Quantity Per	
				Package	Assembly
1	D	1142600-NLA	NLA - Kit, MK5 TAC/TRECM Mounting Hardware	1	1
2			Screw, Hex Head w/ Patch (1/4-20 x 1/2")	1	4
3			NLA - Screw, Phillips Pan Head w/ Patch (#10-32 x 3/8")	1	2
4			Washer (1/4 x 1/2 x 1/16")	1	4
5			Locknut (1/4-20)	1	4
6			NLA - Bracket, Controller Mounting, Black	1	1
7			NLA - Screw, Hex Head (1/4-20 x 1-1/8")	1	4
8			NLA - Bracket, Standoff, Black	1	2
9			Half Clamp, Non-Threaded Holes	1	2
10			NLA - Half Clamp, Threaded Holes	1	2
11	A	1118728-NLA	NLA - Controller, MK5 TAC	1	1
12		1119418	Cable, Auxiliary Power	1	1
	B	1142587-NLA	Kit, MK5 SAC To MK5 TAC Conversion For PTO on Pronto M71/M91	1	1
2			Screw, Hex Head w/ Patch (1/4-20 x 1/2")	1	4
3			NLA - Screw, Phillips Pan Head w/ Patch (#10-32 x 3/8")	1	2
4			Washer (1/4 x 1/2 x 1/16")	1	4
5			Locknut (1/4-20)	1	4
6			NLA - Bracket, Controller Mounting, Black	1	1
7			NLA - Screw, Hex Head (1/4-20 x 1-1/8")	1	4
8			NLA - Bracket, Standoff, Black	1	2
9			Half Clamp, Non-Threaded Holes	1	2
10			NLA - Half Clamp, Threaded Holes	1	2
11			NLA - Controller, MK5 TAC	1	1
			NLA - Harness, Drive Lockout Mercury Free Ball Switch	1	2
			NLA - Bracket, Cable/Wire Mounting, Black	1	1
			Screw, Phillips Pan Head Tap (#10-16 x 3/4")	1	1
			Lockwasher, External Tooth (#10)	1	1
			Tie Wrap (11-1/2" L)	1	10
			Tie Wrap (5-5/8" L)	1	10
			NLA - Instruction Sheet, MK5 SAC To MK5 TAC Conversion For PTO on Pronto M71/M91	1	1
		1142587E-NLA	NLA - WARR RPLMT - MK5 SAC To MK5 TAC Conversion Kit For PTO on Pronto M71/M91	1	1
2			Screw, Hex Head w/ Patch (1/4-20 x 1/2")	1	4
3			NLA - Screw, Phillips Pan Head w/ Patch (#10-32 x 3/8")	1	2
4			Washer (1/4 x 1/2 x 1/16")	1	4
5			Locknut (1/4-20)	1	4
6			NLA - Bracket, Controller Mounting, Black	1	1
7			NLA - Screw, Hex Head (1/4-20 x 1-1/8")	1	4
8			NLA - Bracket, Standoff, Black	1	2
9			Half Clamp, Non-Threaded Holes	1	2
10			NLA - Half Clamp, Threaded Holes	1	2

MK5 TAC and Mounting Hardware

As of (7/1/2009), switches are mercury free.

Item Number	Note	Part Number	Description	Quantity Per	
				Package	Assembly
11			NLA - WARR RPLMT - Controller, MK5 TAC	1	1
			Screw, Phillips Pan Head Tap (#10-16 x 3/4")	1	1
			Tie Wrap (5-5/8" L)	1	10
			Lockwasher, External Tooth (#10)	1	1
			NLA - Harness, Drive Lockout Mercury Free Ball Switch	1	2
			NLA - Instruction Sheet, MK5 SAC To MK5 TAC Conversion For PTO on Pronto M71/M91	1	1
			Tie Wrap (11-1/2" L)	1	10
			NLA - Bracket, Cable/Wire Mounting, Black	1	1
	C	1106544-NLA	NLA - Kit, Switch Clip with Mounting Hardware	1	2
			NLA - Bracket, Cable/Wire Mounting, Black	1	1
			Screw, Phillips Pan Head Tap (#10-16 x 3/4")	1	1
			Lockwasher, External Tooth (#10)	1	1
	C	1080634-NLA	NLA - Harness, Drive Lockout Mercury Free Ball Switch	1	2
	C	1095503-NLA	NLA - Package, Tie Wrap (5-5/8" L)	10	1
	C	1095502-NLA	NLA - Package, Tie Wrap (11-1/2" L)	10	1
C	1141467-NLA	NLA - Instruction Sheet, MK5 SAC To MK5 TAC Conversion For PTO on Pronto M71/M91	1	1	
<p>NOTE: A - When converting a MK5 SAC to a MK5 TAC, refer to the Conversion Kit part # 1142587. Conversion Kit includes all parts needed to convert a (PTO on a Pronto M71/M91)</p> <p>B - Not Shown. Kit components for a PTO on a Pronto M71/M91 uses items 2-11, (part #'s 1080634, 0062800, 0065706, 1077143), Cable Ties and Instruction Sheet)</p> <p>C - Not Shown</p> <p>D - Includes items 2-10</p>					
Effective (07/01/2009), switches are mercury free.					