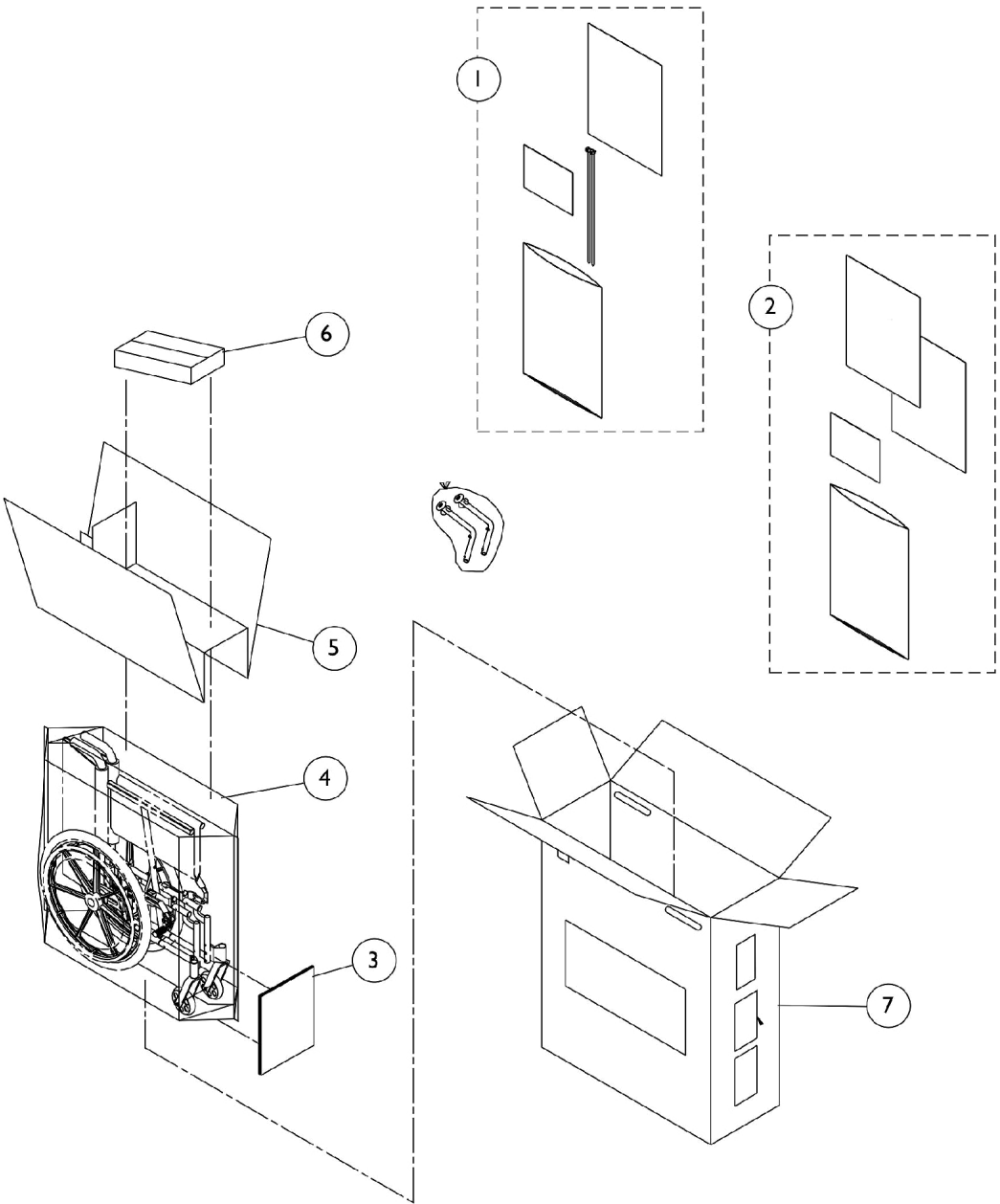


Packaging - Cartons, Bags, Inserts, Literature & Decals



Packaging - Cartons, Bags, Inserts, Literature & Decals

Item Number	Note	Part Number	Description	Quantity Per	
				Package	Assembly
1	A	1130554	Kit, Literature Enclosure - English	1	1
2	D	1134874	Kit, Literature and Label - French Canadian	1	1
3		40131X039-NLA	NLA - Insert, Carton	1	1
4		47568X002-NLA	NLA - Bag, Poly	1	1
5		40131X041	Insert, Top Carton	1	1
6		40131X011-NLA	NLA - Carton, Front Riggings	1	2
7	B	40131X038-NLA	NLA - Carton	1	1
7	C	40131X067-NLA	NLA - Carton	1	1
	E	1130523	NLA - Decal, X4	1	2
	E	1130522-NLA	NLA - Kit, Instruction Cards with Attaching Hardware, Transport Ready Option	1	1
	E	1083199-NLA	NLA - Label, Hook Tie-Down	1	2
	E	1095497	Decal, Invacare Logo (1.6)	1	2

NOTE: A - Includes Owner's Manual, Warranty Card, and Cable Ties
 B - 14-18" Deep chairs
 C - 19-20" Deep chairs
 D - Includes Owner's Manual, Label Instruction Sheet, and Labels
 E - Not Shown

When adjusting or replacing parts, please refer to your Owner's Manual for assistance.