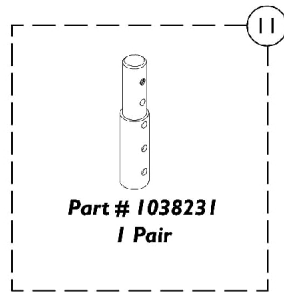
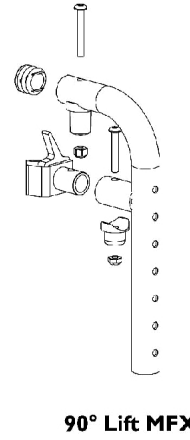
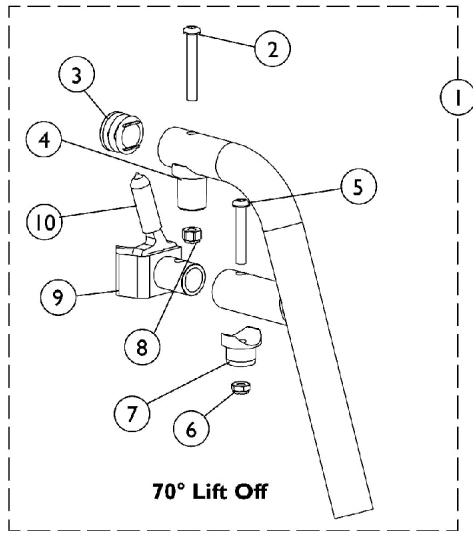
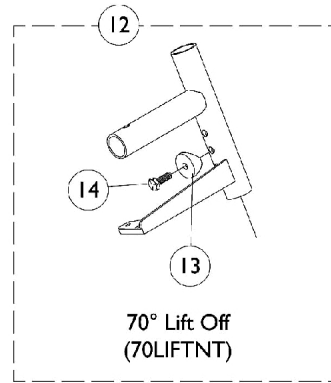


Lift Off Footrest Support Assemblies

70° and 90°



3" Extension w/ Hdwr.
for 90 degree Supports



Slide Tube Mounting Hardware

Lift Off Footrest Support Assemblies 70° and 90°

Item Number	Note	Part Number	Description	Quantity Per	
				Package	Assembly
1	A,B	See Chart	#1 Lift Off Footrest Support Assemblies (70° and 90°)	1	1
2		1001762	Screw, Socket Button Head (1/4-20 x 1-3/4")	1	1
3		1029501	Plug Button, Black (1")	1	1
4		1017148	Pivot, Footrest	1	1
5		1083099	Screw, Socket Button Head (1/4-28 x 1-1/2")	1	1
6		1025765	Locknut (1/4-28)	1	1
7		1128273	Pivot	1	1
8		1025736	Locknut (1/4-20)	1	1
9	C	1128283	Latch Assembly, Black - Right	1	1
9	C	1128284	Latch Assembly, Black - Left	1	1
10		1129492	Package, Tip, Plastic, Black	10	1
11	A	8881038231	Kit, 3" Extension w/ Hardware (Pair)	2	1
12	D	1028004	Kit, Pivot Slide Tube Mounting Hardware (Pair)	2	1
13		1026099	Spacer, Coved (1/4 x 11/16 x 1/2")	1	2
14		1045267	Screw, Hex Head w/ Patch (1/4-20 x 3/4")	1	1

NOTE: A - Specify frame finish when ordering.
 B - Includes Footrest Support and items 2-10
 C - Includes item 10, Protective Tip
 D - Includes items 13-14

#1 Lift Off Footrest Support Assemblies (70° and 90°)

Includes Footrest Support and items 2-9

Footrest Support	70°	90° MFX
Right	8881128286	8881128829
Left	8881128287	8881128830

Specify frame finish when ordering