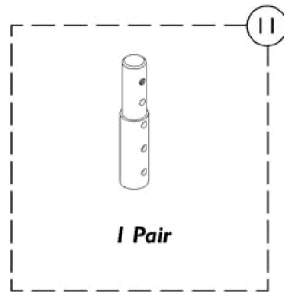
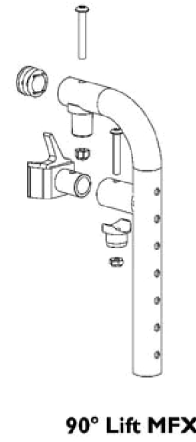
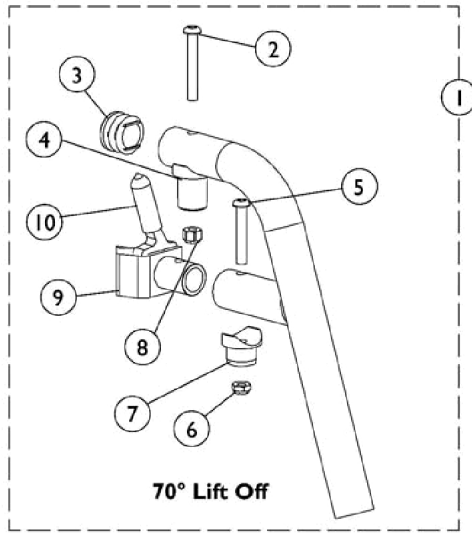
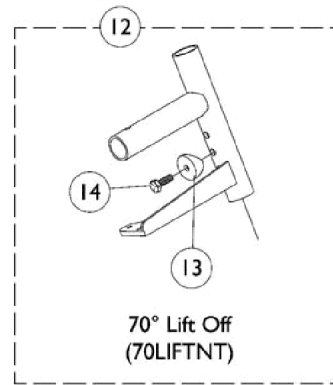


Lift Off Footrest Support Assemblies

70° and 90°



**3" Extension w/ Hdwr.
for 90 degree Supports**



Slide Tube Mounting Hardware

Lift Off Footrest Support Assemblies 70° and 90°

| Item Number | Note | Part Number | Description | Quantity Per | |
|-------------|------|-------------|---|--------------|----------|
| | | | | Package | Assembly |
| 1 | A,B | See Chart | #1 Lift Off Footrest Support Assemblies (70° and 90°) | 1 | 1 |
| 2 | | 1001762 | Screw, Socket Button Head (1/4-20 x 1-3/4") | 1 | 1 |
| 3 | | 1029501 | Plug Button, Black (1") | 1 | 1 |
| 4 | | 1017148 | Pivot, Footrest | 1 | 1 |
| 5 | | 1083099 | Screw, Socket Button Head (1/4-28 x 1-1/2") | 1 | 1 |
| 6 | | 1025765 | Locknut (1/4-28) | 1 | 1 |
| 7 | | 1128273 | Pivot | 1 | 1 |
| 8 | | 1025736 | Locknut (1/4-20) | 1 | 1 |
| 9 | C | 1128283 | Latch Assembly, Black - Right | 1 | 1 |
| 9 | C | 1128284 | Latch Assembly, Black - Left | 1 | 1 |
| 10 | | 1129492 | Package, Tip, Plastic, Black | 10 | 1 |
| 11 | A | 8881038231 | Kit, 3" Extension w/ Hardware (Pair) | 2 | 1 |
| 12 | D | 1028004 | Kit, Pivot Slide Tube Mounting Hardware (Pair) | 2 | 1 |
| 13 | | 1026099 | Spacer, Coved (1/4 x 11/16 x 1/2") | 1 | 2 |
| 14 | | 1045267 | Screw, Hex Head w/ Patch (1/4-20 x 3/4") | 1 | 1 |

NOTE: A - Specify frame finish when ordering.
 B - Includes Footrest Support and items 2-10
 C - Includes item 10, Protective Tip
 D - Includes items 13-14

#1 Lift Off Footrest Support Assemblies (70° and 90°)

Includes Footrest Support and items 2-9

| Footrest Support | 70° | 90° MFX |
|------------------|------------|------------|
| Right | 8881128286 | 8881128829 |
| Left | 8881128287 | 8881128830 |

Specify frame finish when ordering