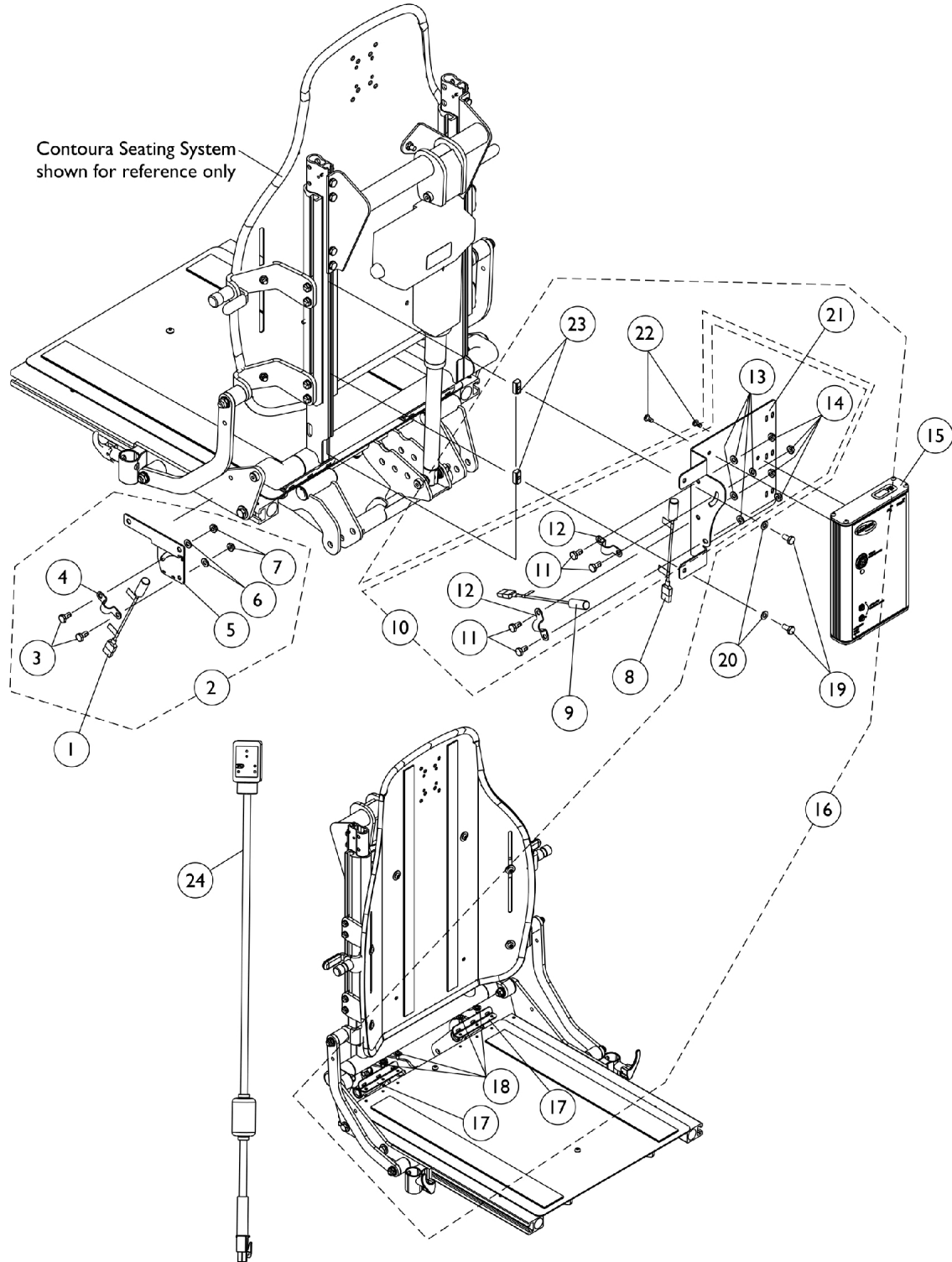


MK5 TRECM, Mercury Free Switches and Mounting Hardware

Contoura Tilt, Recline and Tilt/Recline

As of 7/1/2009, switches are mercury free.



MK5 TRECM, Mercury Free Switches and Mounting Hardware

Contoura Tilt, Recline and Tilt/Recline

As of 7/1/2009, switches are mercury free.

Item Number	Note	Part Number	Description	Quantity Per	
				Package	Assembly
1		1123268-NLA	NLA - Harness, Tilt Mercury Free Ball Switch	1	1
2	A	1125731-NLA	NLA - Kit, Tilt Mercury Switch Mounting Hardware	1	1
3			Locknut (1/4-20)	1	2
4			Washer (1/4 x 1/2 x 1/16")	1	2
5			NLA - Bracket, Mercury Switch Mounting, Black	1	1
6			NLA - Bracket, Switch Mounting, Black	1	1
7			Screw, Hex Head w/ Patch (1/4-20 x 1/2")	1	2
8		1123267-NLA	NLA - Harness, Recline Mercury Free Ball Switch	1	1
9		1080634-NLA	NLA - Harness, Drive Lockout Mercury Free Ball Switch	1	1
10	B	1125730-NLA	NLA - Kit, Drive Lockout/Recline Switch Mounting Hardware	2	1
11			Screw, Hex Head w/ Patch (1/4-20 x 1/2")	1	4
12			NLA - Bracket, Switch Mounting, Black	1	2
13			Washer (1/4 x 1/2 x 1/16")	1	4
14			Locknut (1/4-20)	1	4
15		1123263-NLA	NLA - Controller, MK5 TRECM	1	1
16	C	1125732-NLA	NLA - Kit, TRECM/TAC Mounting Hardware Contoura	1	1
17			NLA - Bracket, Seat Pan Wiring, Black	1	2
18			Screw, Phillips Pan Head Tap (#10-32 x 1/2")	1	4
19			Screw, Hex Head w/ Patch (1/4-20 x 1/2")	1	2
20			Washer (1/4 x 1/2 x 1/16")	1	2
21			NLA - Bracket, Mounting, Black	1	1
22			NLA - Screw, Phillips Pan Head w/ Patch (#10-32 x 3/8")	1	2
23			T-Nut (1/4-20)	1	2
24		1119418	Cable, Auxiliary Power	1	1

NOTE: A - Includes items 3-7
B - Includes items 11-14
C - Includes items 17-23