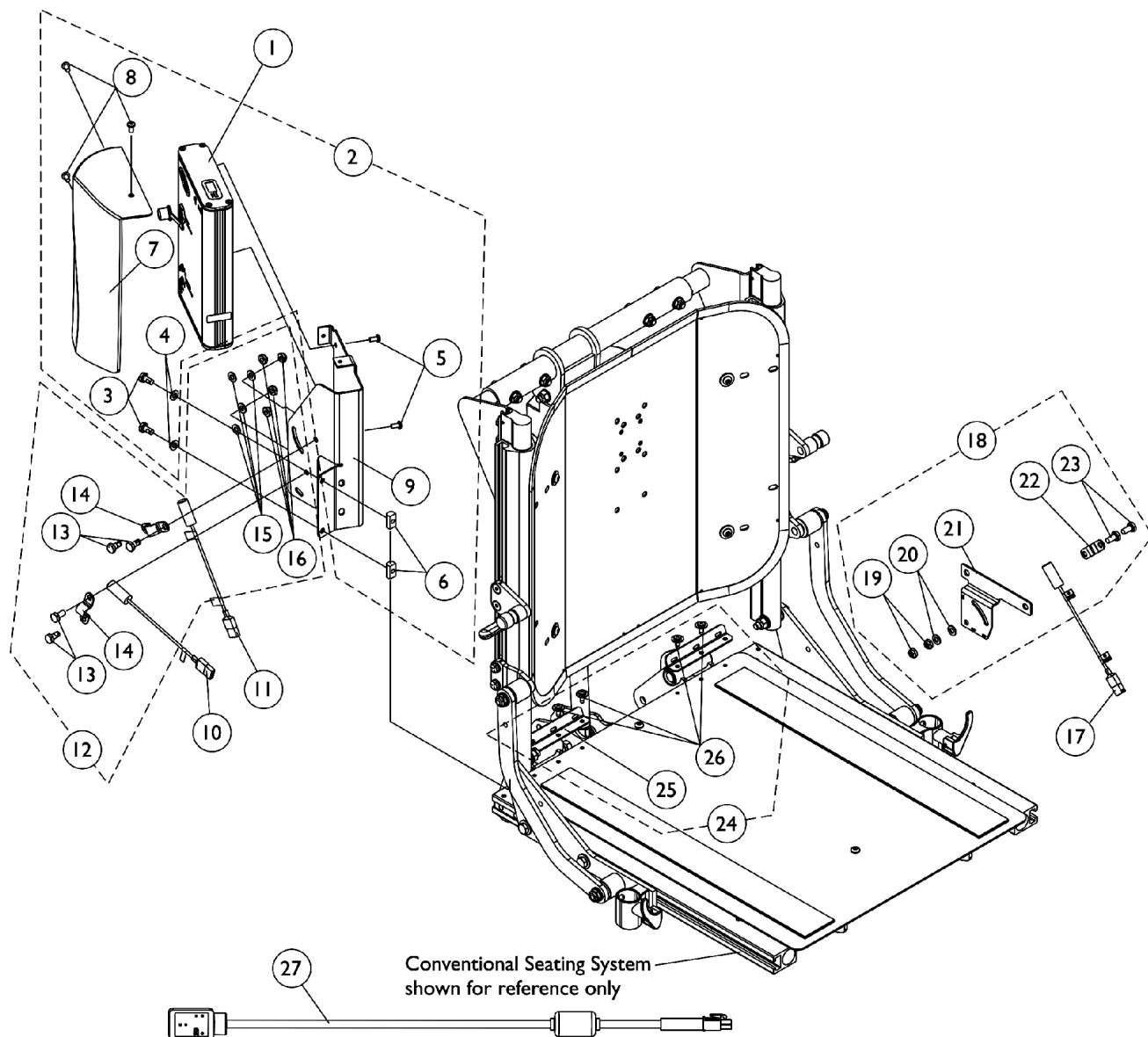


MK5 TRECM, Shroud Cover and Mercury Free Switches (After 5/18/05)

Conventional Recline and Tilt/Recline

As of 7/1/2009, switches are mercury free.



MK5 TRECM, Shroud Cover and Mercury Free Switches (After 5/18/05)

Conventional Recline and Tilt/Recline

As of 7/1/2009, switches are mercury free.

Item Number	Note	Part Number	Description	Quantity Per	
				Package	Assembly
1		1123263-NLA	NLA - Controller, MK5 TRECM	1	1
2	A	1133131-NLA	NLA - Kit, TRECM/TAC Mounting Hardware and Shroud Cover	1	1
3			For Conventional Seating w/ Extruded Canes		
4			Screw, Hex Head w/ Patch (1/4-20 x 1/2")	1	2
5			Washer (1/4 x 1/2 x 1/16")	1	2
6			NLA - Screw, Phillips Pan Head w/ Patch (#10-32 x 3/8")	1	2
7			T-Nut (1/4-20)	1	2
8			Shroud, TRECM/TAC Recline Cover	1	1
9			Screw, Phillips Pan Head Tap (#10-32 x 3/8")	1	3
10		1080634-NLA	NLA - Bracket, TRECM/TAC Controller/Shroud Mounting, Black	1	1
11		1123267-NLA	NLA - Harness, Drive Lockout Mercury Free Ball Switch	1	1
12	B	1125730-NLA	NLA - Kit, Drive Lockout/Recline Switch Mounting Hardware	2	1
13			Screw, Hex Head w/ Patch (1/4-20 x 1/2")	1	4
14			NLA - Bracket, Switch Mounting, Black	1	2
15			Washer (1/4 x 1/2 x 1/16")	1	4
16			Locknut (1/4-20)	1	4
17		1123268-NLA	NLA - Harness, Tilt Mercury Free Ball Switch	1	1
18	C	1125731-NLA	NLA - Kit, Tilt Mercury Switch Mounting Hardware	1	1
19			Locknut (1/4-20)	1	2
20			Washer (1/4 x 1/2 x 1/16")	1	2
21			NLA - Bracket, Mercury Switch Mounting, Black	1	1
22			NLA - Bracket, Switch Mounting, Black	1	1
23			Screw, Hex Head w/ Patch (1/4-20 x 1/2")	1	2
24	D	1133130-NLA	NLA - Kit, Seat Pan Wiring Brackets w/ Hardware	2	1
25			NLA - Bracket, Seat Pan Wiring, Black	1	2
26			Screw, Phillips Pan Head Tap (#10-32 x 1/2")	1	4
27		1119418	Cable, Auxiliary Power	1	1
NOTE: A - Includes items 3-9 B - Includes items 13-16 C - Includes items 19-23 D - Includes items 25 and 26					
Effective 07/01/2009, switches are mercury free.					